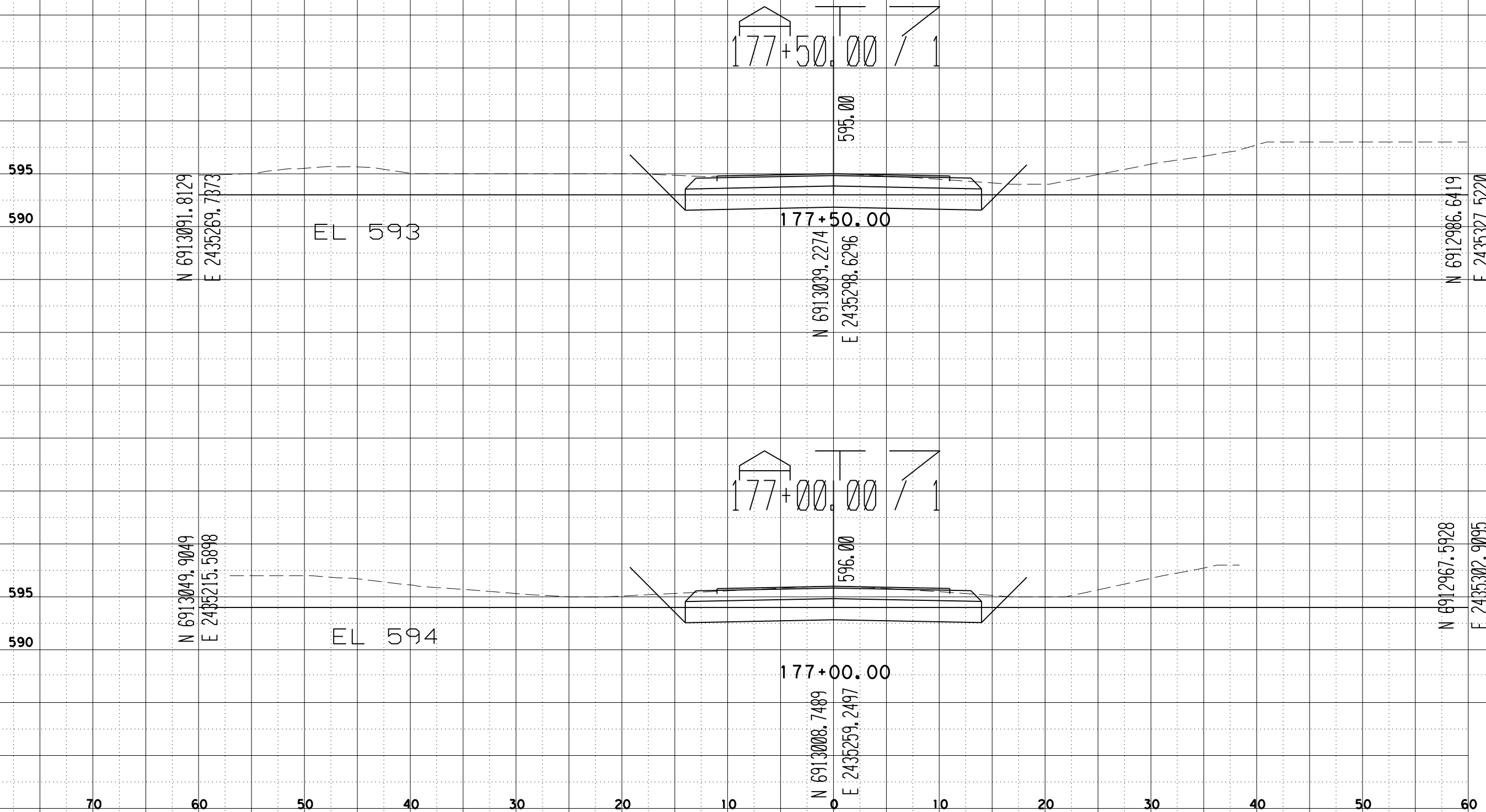


DATE: 6/30/2021 1:49:48 PM
FILE: c:\txdot\pw_online\txdot5\javier.cantu\0506773\XS_CEDAR HILL_PARK_SHEETS_WEST_SPINE_RD.dgn


CHK:
DWF:
CKE:
DIN:

WEST SPINE RD

(FOR PAVEMENT SECTION
DIMENSIONS REFER TO TYP SECTS)



SHEET OF



Texas Department of Transportation

| | | | |
|------|--------|-----|-----------|
| CONT | SECT | JOB | HIGHWAY |
| 0918 | 47 | 096 | PW |
| DIST | COUNTY | | SHEET NO. |
| DAL | DALLAS | | |

DATE: 6/30/2021 1:49:48 PM
FILE: c:\txdot\pw_online\txdot5\javier.cantu\0506773\XS_CEDAR HILL_PARK_SHEETS_WEST_SPINE_RD.dgn

CHK:
DWF:
CKE:
DIN:

WEST SPINE RD

(FOR PAVEMENT SECTION
DIMENSIONS REFER TO TYP SECTS)

178+50.00 / 1

178+00.00 / 1

595

590

595

N 6913117.3484
E 2435402.5782

EL 587

178+50.00
N 6913057.7987
E 2435395.2412

591.38

N 6912998.2490
E 2435387.9042

N 6913115.0441
E 2435334.1464

EL 590

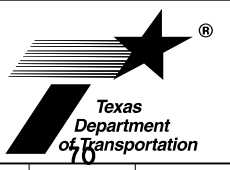
178+00.00
N 6913056.7029
E 2435345.4026

593.00

N 6912997.2016
E 2435356.7988

70 60 50 40 30 20 10 0 10 20 30 40 50 60

SHEET OF



Texas Department of Transportation

| | | | |
|------|--------|-----|-----------|
| CONT | SECT | JOB | HIGHWAY |
| 0918 | 47 | 096 | PW |
| DIST | COUNTY | | SHEET NO. |
| DAL | DALLAS | | |

DATE: 6/30/2021 1:49:49 PM
FILE: c:\txdot\pw_online\txdot5\javier.cantu\0506773\XS_CEDAR HILL_PARK_SHEETS_WEST_SPINE_RD.dgn

CHK:
DWF:
CKE:
DIN:

WEST SPINE RD

(FOR PAVEMENT SECTION
DIMENSIONS REFER TO TYP SECTS)

179+50.00 / 1

588.00

590

585

N 6913088.3574
E 2435514.1117

EL 583

179+50.00
N 6913032.9539
E 2435491.5539

N 6912976.9982
E 2435469.4001

179+00.00 / 1

589.37

595

590

N 6913106.3767
E 2435459.4136

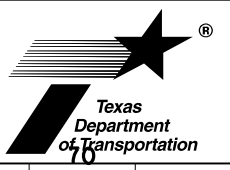
EL 585

179+00.00
N 6913048.3148
E 2435444.2894

N 6912990.2469
E 2435429.1833

70 60 50 40 30 20 10 0 10 20 30 40 50 60

SHEET OF



Texas Department of Transportation

| | | | |
|------|--------|-----|-----------|
| CONT | SECT | JOB | HIGHWAY |
| 0918 | 47 | 096 | PW |
| DIST | COUNTY | | SHEET NO. |
| DAL | DALLAS | | |

DATE: 6/30/2021 1:49:49 PM
FILE: c:\txdot\pw_online\txdot5\javier.cantu\0506773\XS-CEDAR HILL PARK-SHEETS-WEST SPINE RD.dgn

WEST SPINE RD

(FOR PAVEMENT SECTION
DIMENSIONS REFER TO TYP SECTS)

180+50.00 / 1

180+00.00 / 1

590

585

590

585

N 6913032.3486

E 2435614.4899

EL 582

N 6912935.8177

E 2435543.2033

N 6913063.5479

E 2435566.0836

EL 581

N 6913011.1025

E 2435536.8800

N 6912958.7570

E 2435507.6124

70

60

50

40

30

20

10

0

10

20

30

40

50

60

SHEET OF



| | | | |
|------|--------|-----|-----------|
| CONT | SECT | JOB | HIGHWAY |
| 0918 | 47 | 096 | PW |
| DIST | COUNTY | | SHEET NO. |
| DAL | DALLAS | | |

DATE: 6/30/2021 1:49:49 PM
FILE: c:\txdot\pw_online\txdot5\javier.cantu\0506773\XS_CEDAR HILL PARK_SHEETS_WEST SPINE RD.dgn

WEST SPINE RD

(FOR PAVEMENT SECTION
DIMENSIONS REFER TO TYP SECTS)

181+50.00

590

585

580

N 6912970.2681

E 2435694.7016

EL 579

181+00.00

N 6912922.8659

E 2435657.9180

585.33

N 6912875.4638

E 2435621.1344

590

585

N 6913000.9211

E 2435655.1998

EL 579

181+00.00

N 6912953.5139

E 2435618.4162

586.00

N 6912906.1168

E 2435581.6326

70

60

50

40

30

20

10

0

10

20

30

40

50

60

SHEET OF



| CONT | SECT | JOB | HIGHWAY |
|------|--------|-----------|---------|
| 0918 | 47 | 096 | PW |
| DIST | COUNTY | SHEET NO. | |
| DAL | DALLAS | | |

DATE: 6/30/2021 1:49:49 PM
FILE: c:\txdot\pw_online\txdot5\javier.contu\0506773\XS_CEDAR HILL PARK_SHEETS_WEST SPINE RD.dgn

WEST SPINE RD
(FOR PAVEMENT SECTION
DIMENSIONS REFER TO TYP SECTS)

182+50.00

590
585
580

N 6912909.9478
E 2435772.6849

EL 579

N 6912861.6949
E 2435737.0247

584.12

N 6912813.4419
E 2435701.3644

182+00.00 / 1

590
585
580

N 6912939.6150
E 2435734.2034

EL 579

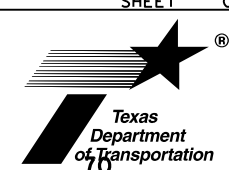
N 6912892.2498
E 2435697.4998

585.00

N 6912844.8107
E 2435660.6362

70 60 50 40 30 20 10 0 10 20 30 40 50 60

SHEET OF



10

| | | | |
|------|--------|-----|-----------|
| CONT | SECT | JOB | HIGHWAY |
| 0918 | 47 | 096 | PW |
| DIST | COUNTY | | SHEET NO. |
| DAL | DALLAS | | |

DATE: 6/30/2021 1:49:49 PM
FILE: c:\txdot\pw_online\txdot5\javier.contu\0506773\XS_CEDAR HILL_PARK_SHEETS_WEST_SPINE_RD.dgn

CHK:
DWF:
CKE:
DIN:

WEST SPINE RD

(FOR PAVEMENT SECTION
DIMENSIONS REFER TO TYP SECTS)

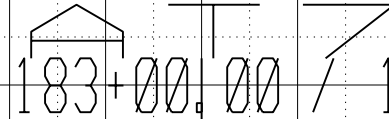
183+50.00

590
585
580

N 6912862.4209
E 2435849.2981

EL 576

N 6912809.0374
E 2435821.9083
581.51



N 6912755.6539
E 2435794.5185

590
585
580

N 6912884.6284
E 2435810.0263

EL 578

N 6912833.6122
E 2435782.9970
583.18
183+00.00

N 6912782.6560
E 2435746.7678

70 60 50 40 30 20 10 0 10 20 30 40 50 60

SHEET OF

0918 47 096 PW
DAL DALLAS

DATE: 6/30/2021 1:49:50 PM
FILE: c:\txdot\pw_online\txdot5\javier.contu\0506773\XS_CEDAR HILL_PARK_SHEETS_WEST_SPINE_RD.dgn

WEST SPINE RD

(FOR PAVEMENT SECTION
DIMENSIONS REFER TO TYP SECTS)

184+50.00

585

580

575

570

N 6912827.9058

E 2435932.5873

EL 568

N 6912770.7963

E 2435914.1887

576.23

N 6912713.6869

E 2435895.7901

184+00.00 / 1

590

585

580

575

N 6912843.4718

E 2435890.2417

EL 572

579.36

184+00.00

N 6912788.0470

E 2435867.2418

N 6912732.6136

E 2435844.3020

70

60

50

40

30

20

10

0

10

20

30

40

50

60

SHEET OF



| CONT | SECT | JOB | HIGHWAY |
|------|--------|-----|-----------|
| 0918 | 47 | 096 | PW |
| DIST | COUNTY | | SHEET NO. |
| DAL | DALLAS | | |

DATE: 6/30/2021 1:49:50 PM
FILE: c:\txdot\pw_online\txdot5\javier.contu\0506773\XS_CEDAR HILL_PARK_SHEETS_WEST_SPINE_RD.dgn

CHK
DWF
CKE
DIN

WEST SPINE RD

(FOR PAVEMENT SECTION
DIMENSIONS REFER TO TYP SECTS)

185+50.00

568.52

N 6912747.9778
E 2436011.4377

N 6912688.6451
E 2436002.5143

EL 562

N 6912807.3106
E 2436020.3610

185+00.00

572.57

N 6912757.4120
E 2435962.3497

N 6912698.9984
E 2435948.6436

EL 565

N 6912815.8255
E 2435976.0559

SHEET OF



| CONT | SECT | JOB | HIGHWAY |
|------|--------|-----|-----------|
| 0918 | 47 | 096 | PW |
| DIST | COUNTY | | SHEET NO. |
| DAL | DALLAS | | |

DATE: 6/30/2021 1:49:50 PM
FILE: c:\txdot\pw_online\txdot5\javier.cantu\0506773\XS_CEDAR HILL PARK_SHEETS_WEST SPINE RD.dgn

CHK:
DWF:
CKE:
DIN:

WEST SPINE RD

(FOR PAVEMENT SECTION
DIMENSIONS REFER TO TYP SECTS)

186+50.00 / 1

186+00.00 / 1

186+00.00

560.77

564.67

N 6912741.1824
E 2436111.0964

N 6912742.5490
E 2436061.2900

N 6912681.1875
E 2436111.8831

N 6912682.6951
E 2436057.0473

EL 555

EL 558

560

565

560

70 60 50 40 30 20 10 0 10 20 30 40 50 60

SHEET OF



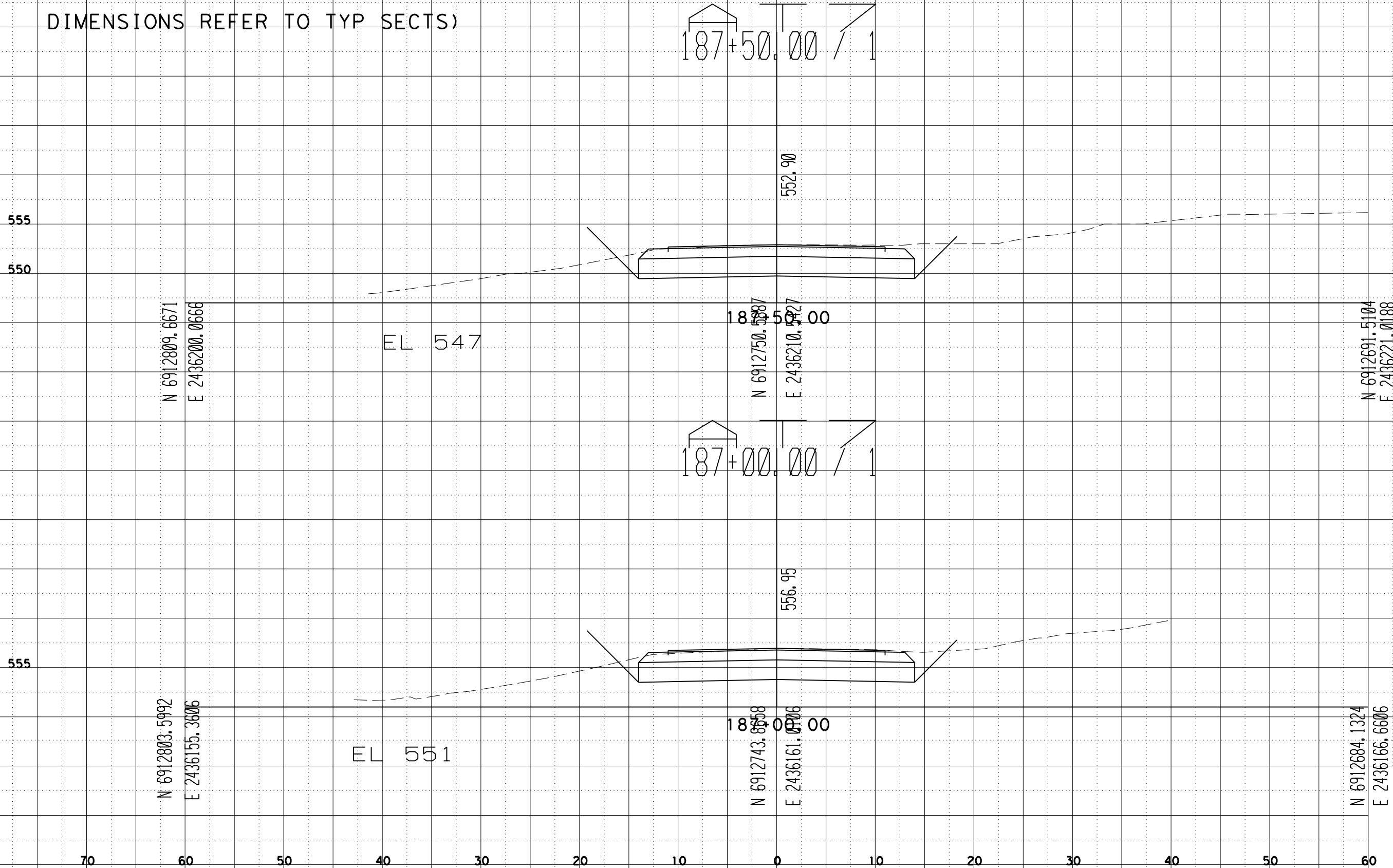
| | | | |
|------|--------|-----|-----------|
| CONT | SECT | JOB | HIGHWAY |
| 0918 | 47 | 096 | PW |
| DIST | COUNTY | | SHEET NO. |
| DAL | DALLAS | | |

DATE: 6/30/2021 1:49:51 PM
FILE: c:\xtdot\pw_online\txdot5\javier.contu\40506773\XS_CEDAR HILL_PARK_SHEETS_WEST_SPINE_RD.dgn

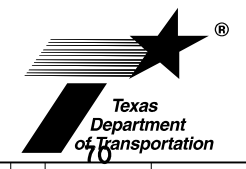
CHK:
DWF:
CKE:
DIN:

WEST SPINE RD

(FOR PAVEMENT SECTION
DIMENSIONS REFER TO TYP SECTS)



SHEET OF



| | | | |
|------|--------|-----|-----------|
| CONT | SECT | JOB | HIGHWAY |
| 0918 | 47 | 096 | PW |
| DIST | COUNTY | | SHEET NO. |
| DAL | DALLAS | | |

DATE: 6/30/2021 1:49:51 PM
FILE: c:\txdot\pw_online\txdot5\javier.contu\0506773\XS_CEDAR HILL PARK_SHEETS_WEST SPINE RD.dgn

DWG
CHK
DWF
CMT

WEST SPINE RD

(FOR PAVEMENT SECTION
DIMENSIONS REFER TO TYP SECTS)

188+50.00 / 1

547.00

545

N 6912832.5568
E 2436287.2701

EL 542

188+50.00

N 6912775.94599
E 2436307.1500

N 6912719.3420
E 2436327.0497

188+00.00 / 1

549.46

550

N 6912819.3408
E 2436244.1332

EL 544

188+00.00

N 6912761.3068
E 2436259.0664

N 6912703.2727
E 2436274.5995

70 60 50 40 30 20 10 0 10 20 30 40 50 60

SHEET OF

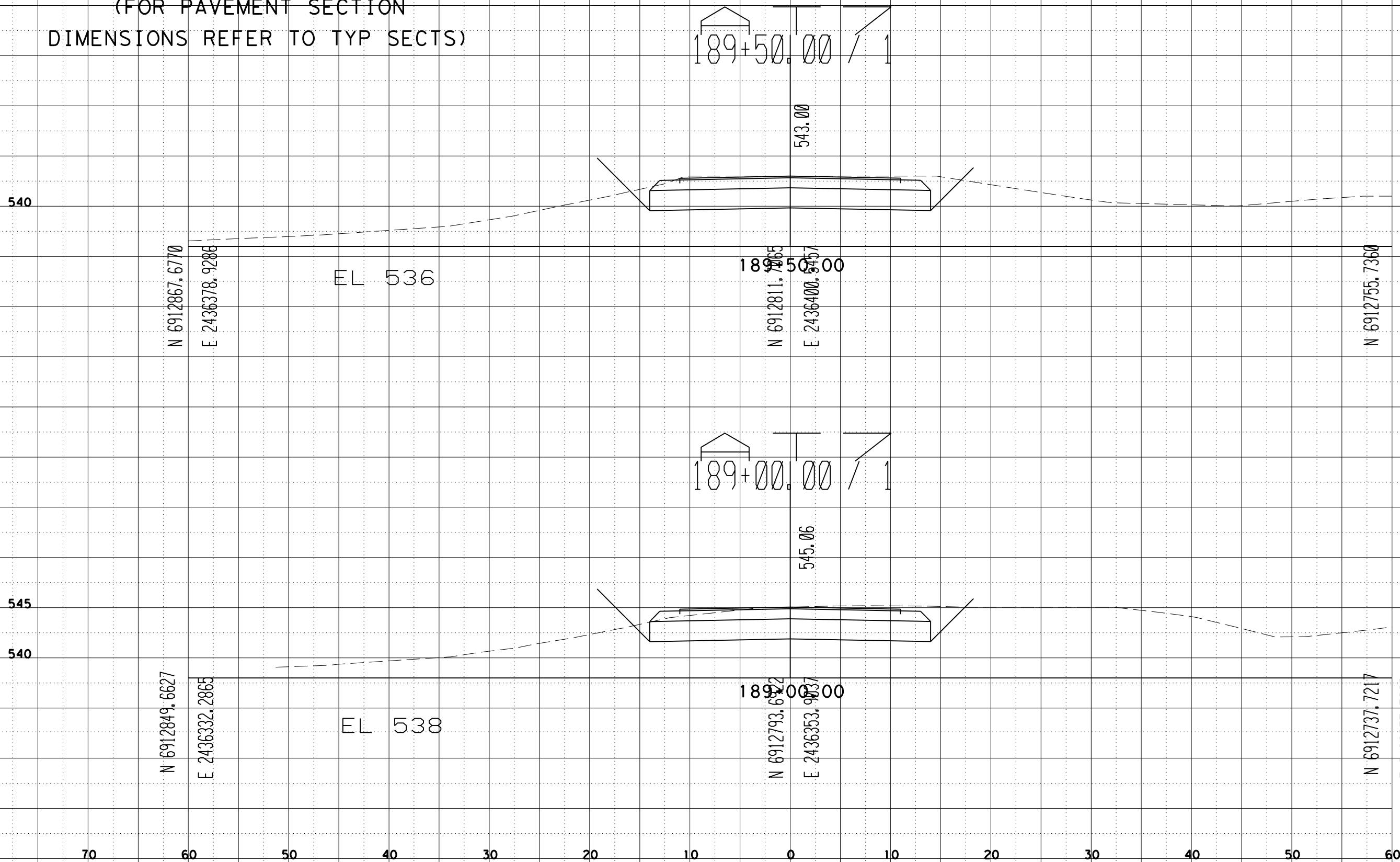


| | | | |
|------|--------|-----|-----------|
| CONT | SECT | JOB | HIGHWAY |
| 0918 | 47 | 096 | PW |
| DIST | COUNTY | | SHEET NO. |
| DAL | DALLAS | | |

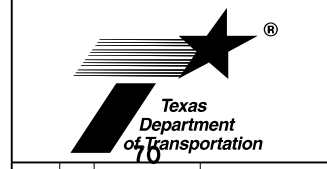
DATE: 6/30/2021 1:49:52 PM
FILE: c:\xtdot\pw_online\txdot5\javier.cantu\0506773\XS_CEDAR HILL PARK_SHEETS_WEST SPINE RD.dgn

WEST SPINE RD

(FOR PAVEMENT SECTION
DIMENSIONS REFER TO TYP SECTS)



SHEET OF



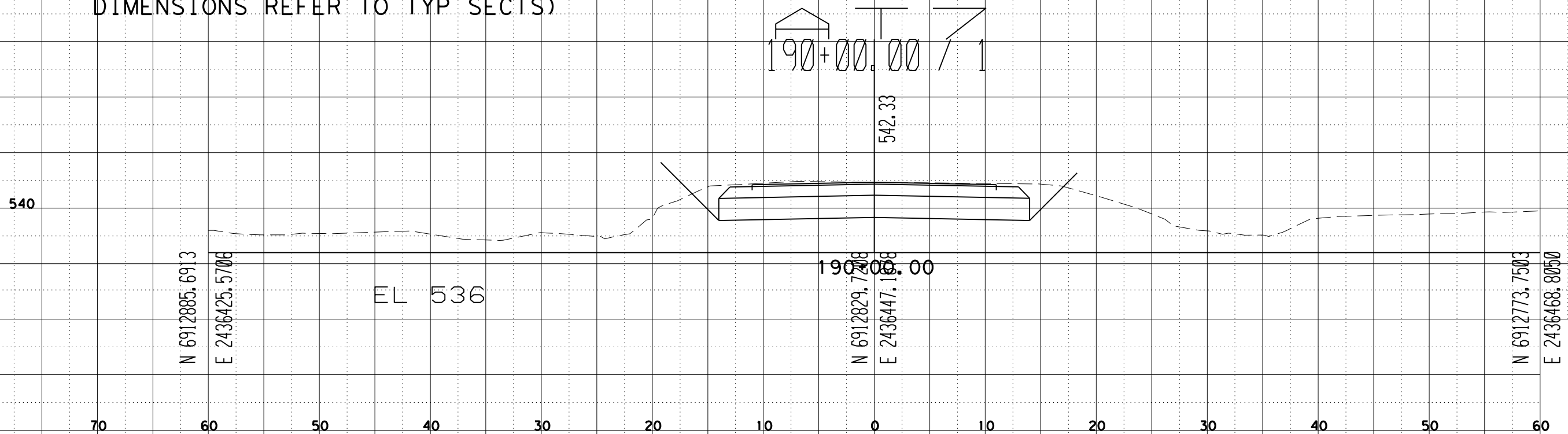
| | | | |
|------|--------|-----|-----------|
| CONT | SECT | JOB | HIGHWAY |
| 0918 | 47 | 096 | PW |
| DIST | COUNTY | | SHEET NO. |
| DAL | DALLAS | | |

DATE: 6/30/2021 1:49:52 PM
FILE: c:\xtdot\pw_online\txdot5\javier.contu\0506773\XS_CEDAR HILL PARK_SHEETS_WEST SPINE RD.dgn

DN:
CKE:
DWF:
CKE:

WEST SPINE RD

(FOR PAVEMENT SECTION
DIMENSIONS REFER TO TYP SECTS)



SHEET OF

Texas Department of Transportation

| | | | |
|------|--------|-----|-----------|
| CONT | SECT | JOB | HIGHWAY |
| 0918 | 47 | 096 | PW |
| DIST | COUNTY | | SHEET NO. |
| DAL | DALLAS | | |