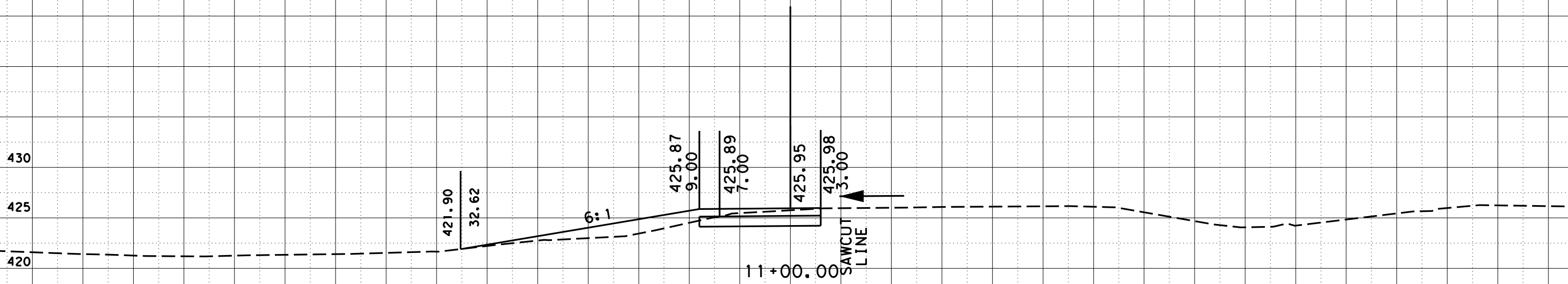


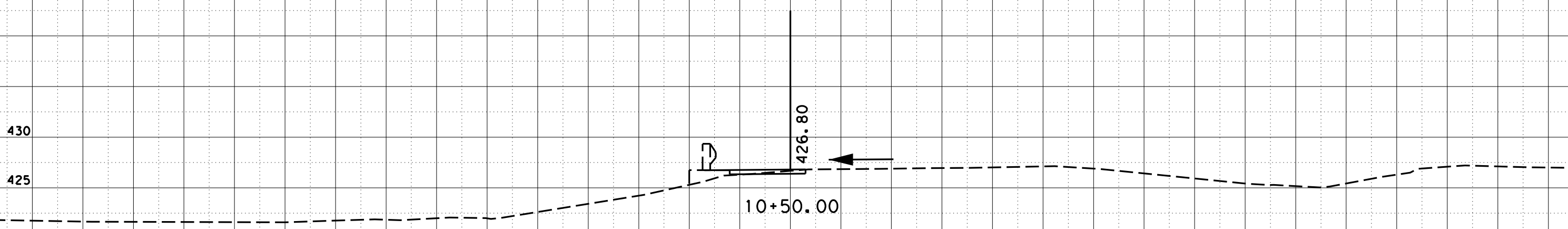
DATE: 08/28/2000 3:52:38PM  
FILE: D:\DOCUMENTS\PROJECTS\18 - DAL\Design Projects\019702124\4 - DesignMaster Design Files\X-SECTS\NEWENTRAMP\_PATTERN\019702124\18 - ENTRANCE RAMP

NOTE: X-SECTS 10+00 THRU 21+00 ARE PERPENDICULAR TO US 175 MAIN LANE CENTER LINE

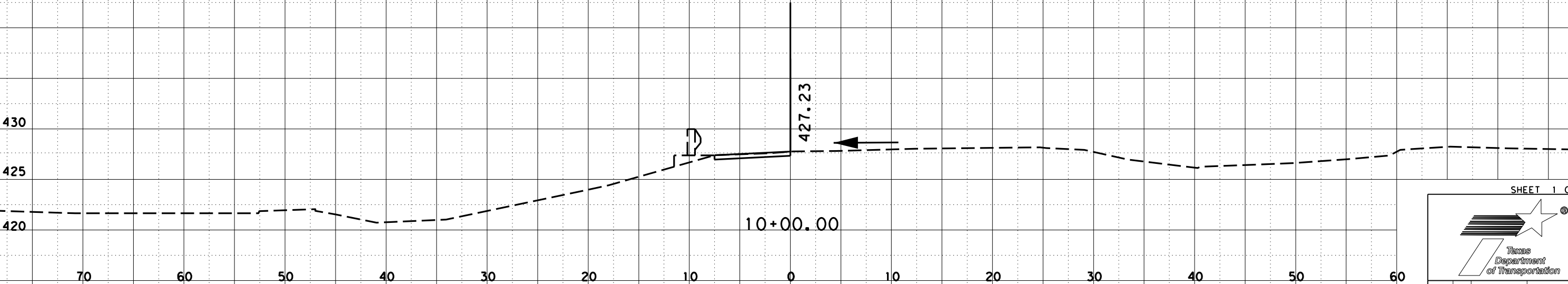
ENTRANCE RAMP (CHAIN NAME: NEWER)



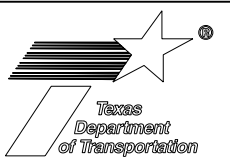
ENTRANCE RAMP (CHAIN NAME: NEWER)



ENTRANCE RAMP (CHAIN NAME: NEWER)



SHEET 1 OF 11

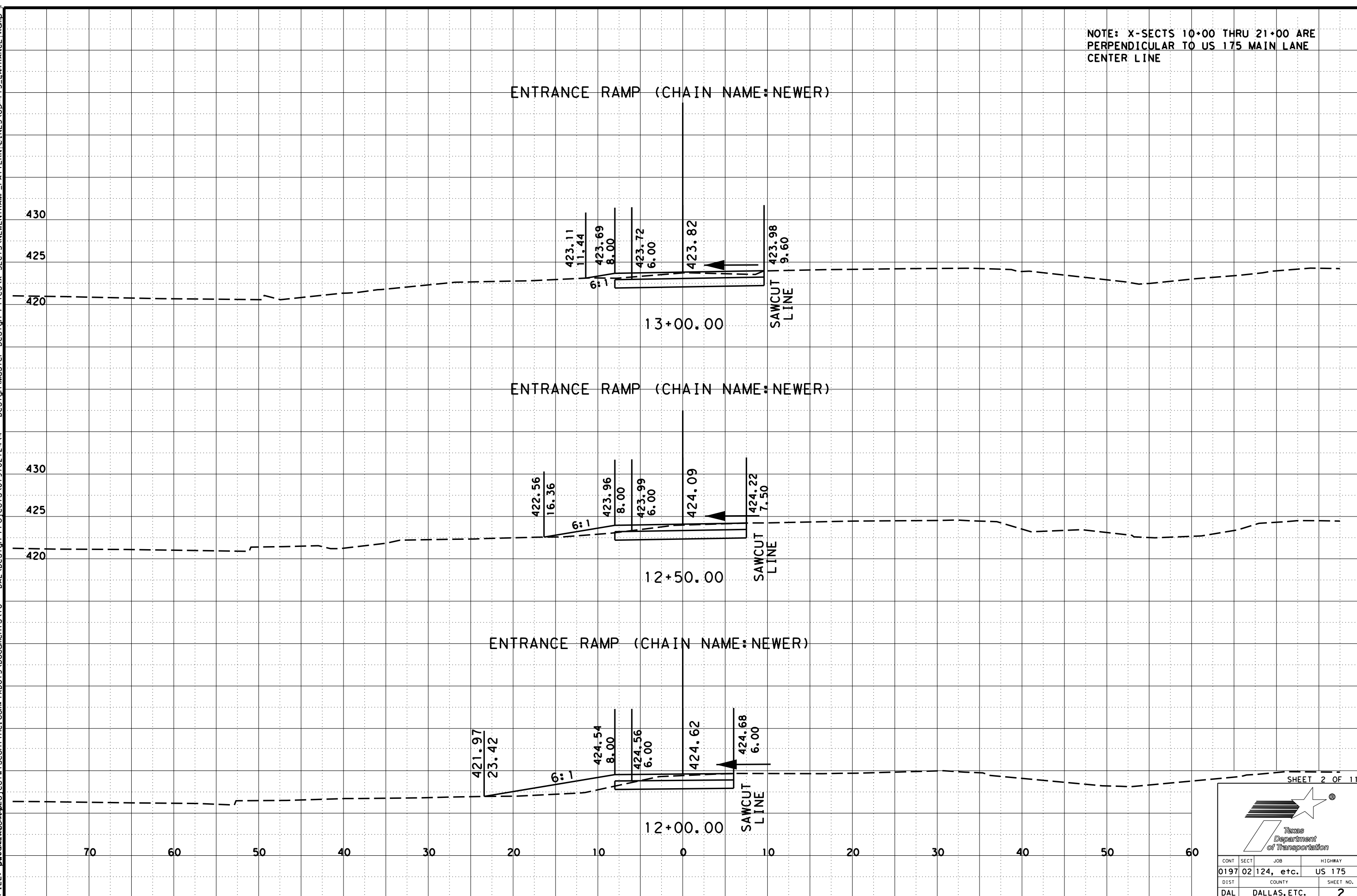


CONT	SECT	JOB	HIGHWAY
0197	02	124, etc.	US 175
DIST	COUNTY	SHEET NO.	
DAL	DALLAS, ETC.	1	

DATE: 08/28/2000 3:55:06 PM

FILE: D:\DOCUMENTS\PROJECTS\18 - DAL\Design Projects\019702124\4 - Design\Master Design Files\X-SECTIONS\NEWENTRAMP\_PATTERN (REF: NES\US\REF 75 - ENTRANCE RAMP

NOTE: X-SECTS 10+00 THRU 21+00 ARE PERPENDICULAR TO US 175 MAIN LANE CENTER LINE



SHEET 2 OF 11

CONT	SECT	JOB	HIGHWAY
0197	02	124, etc.	US 175
DIST	COUNTY		SHEET NO.
DAL	DALLAS, ETC.		2

DATE: 08/28/2000 3:55:03 PM

FILE: D:\DOCUMENTS\PROJECTS\18 - DAL\Design Projects\019702124\4 - Design\Master Design Files\X-SECTS\NEWENTRAMP\_PATTERN\019702124\18 - ENTRANCE RAMP

NOTE: X-SECTS 10+00 THRU 21+00 ARE PERPENDICULAR TO US 175 MAIN LANE CENTER LINE

ENTRANCE RAMP (CHAIN NAME: NEWER)

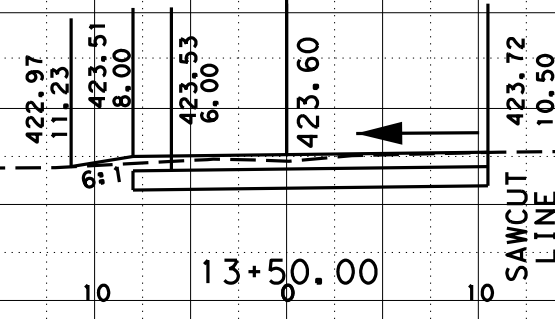
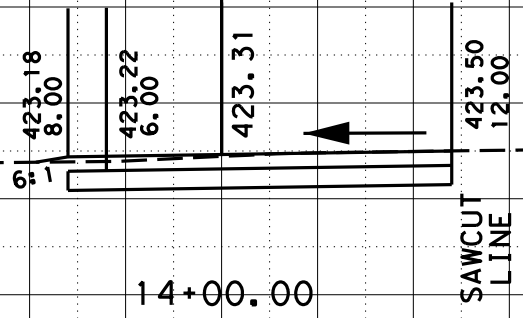
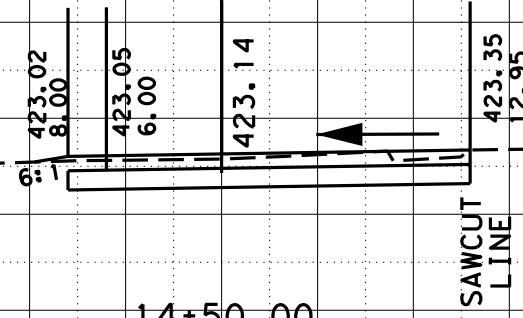
ENTRANCE RAMP (CHAIN NAME: NEWER)

ENTRANCE RAMP (CHAIN NAME: NEWER)

430  
425  
420

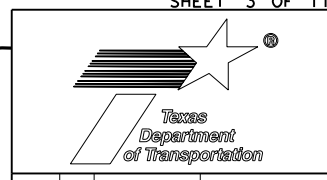
430  
425  
420

430  
425  
420



70 60 50 40 30 20 10 0 10 20 30 40 50 60

SHEET 3 OF 11



CONT	SECT	JOB	HIGHWAY
0197	02	124, etc.	US 175
DIST	COUNTY		SHEET NO.
DAL	DALLAS, ETC.		3

DATE: 06/28/2000 3:55:32 PM

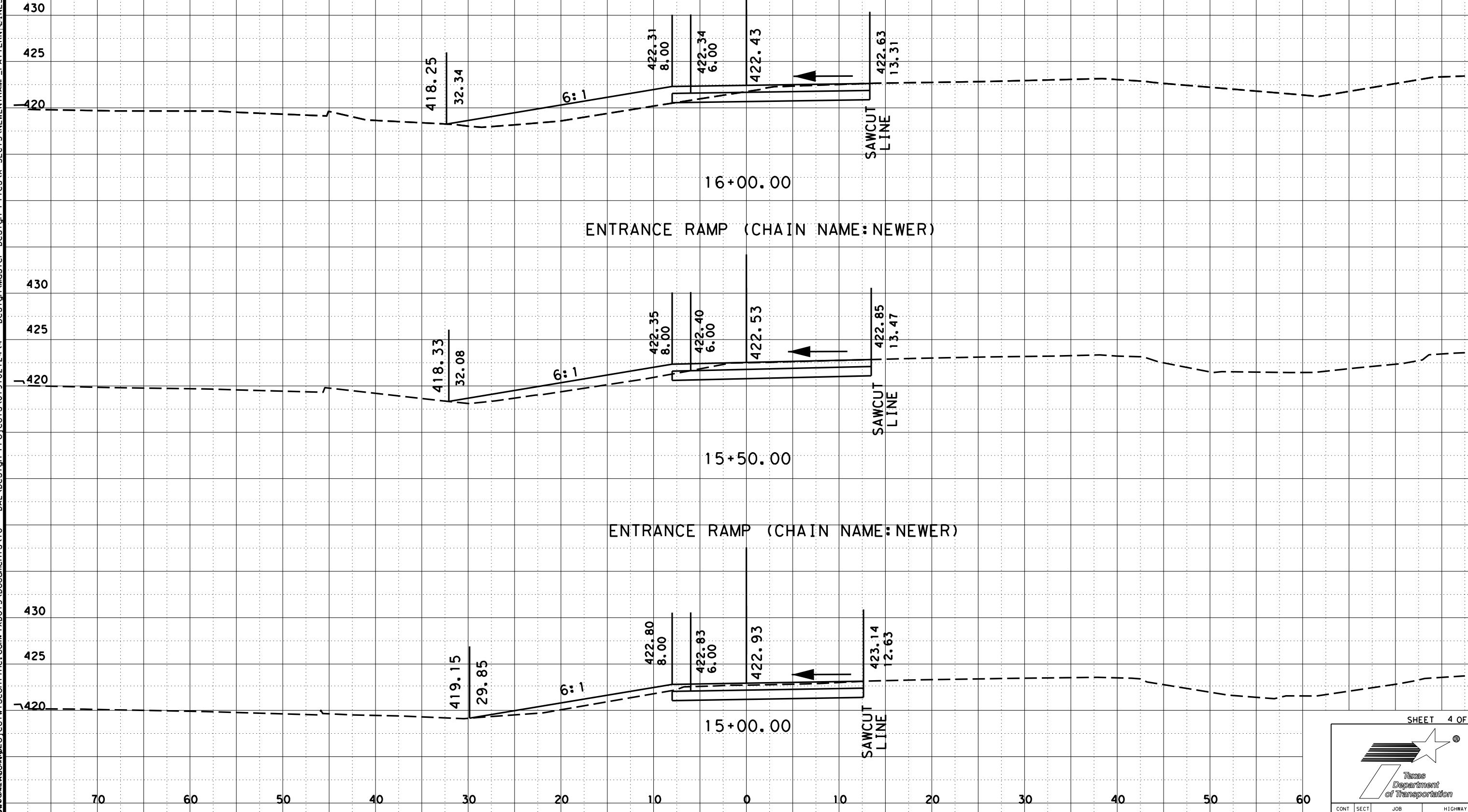
FILE: D:\DOCUMENTS\PROJECTS\18 - DAL\Design Projects\019702124\4 - Design\Master Design Files\X-SECTS\NEWENTRAMP\_PATTERN\019702124\18 - ENTRANCE RAMP

ENTRANCE RAMP (CHAIN NAME: NEWER)

NOTE: X-SECTS 10+00 THRU 21+00 ARE PERPENDICULAR TO US 175 MAIN LANE CENTER LINE

ENTRANCE RAMP (CHAIN NAME: NEWER)

ENTRANCE RAMP (CHAIN NAME: NEWER)



SHEET 4 OF 11

Texas Department of Transportation

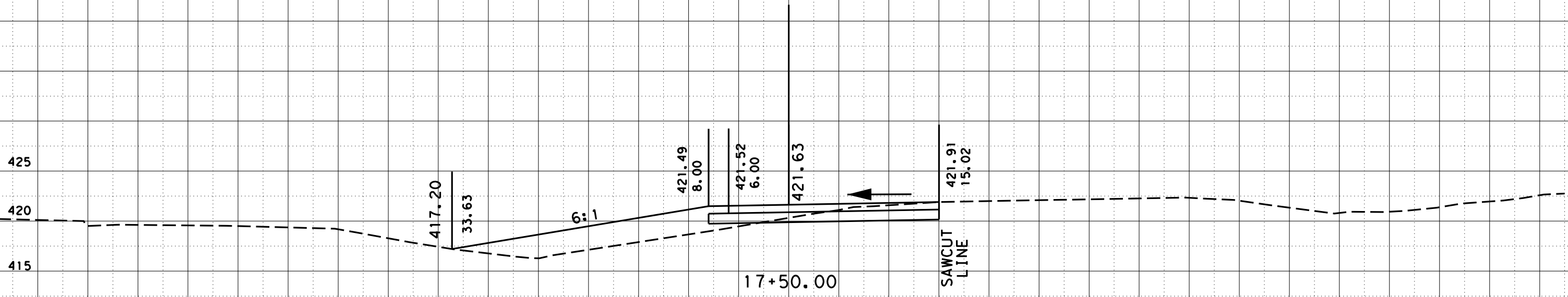
CONT	SECT	JOB	HIGHWAY
0197	02	124, etc.	US 175
DIST	COUNTY	SHEET NO.	
DAL	DALLAS, ETC.	4	

DATE: 08/28/2000 3:55:32 PM

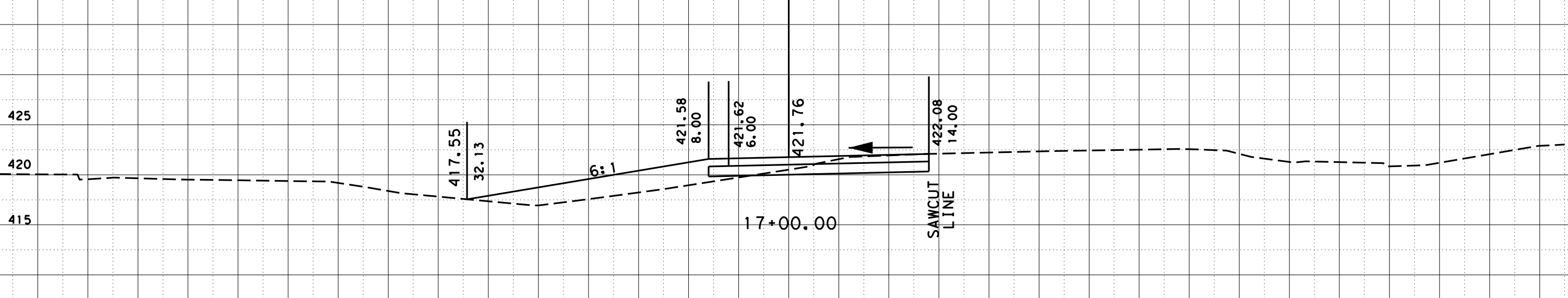
FILE: D:\DOCUMENTS\PROJECTS\18 - DAL\Design Projects\019702124\4 - DesignMaster Design Files\X-SECTS\NEWENTRAMP\_PATTERN\019702124\18 - ENTRANCE RAMP

NOTE: X-SECTS 10+00 THRU 21+00 ARE PERPENDICULAR TO US 175 MAIN LANE CENTER LINE

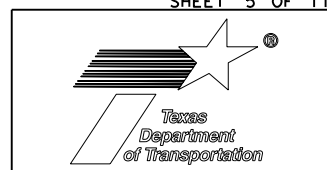
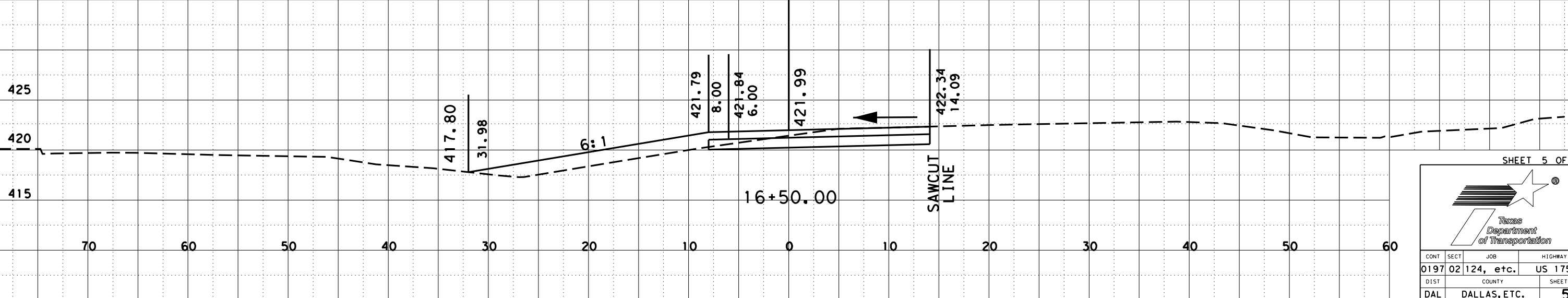
### ENTRANCE RAMP (CHAIN NAME: NEWER)



### ENTRANCE RAMP (CHAIN NAME: NEWER)



### ENTRANCE RAMP (CHAIN NAME: NEWER)



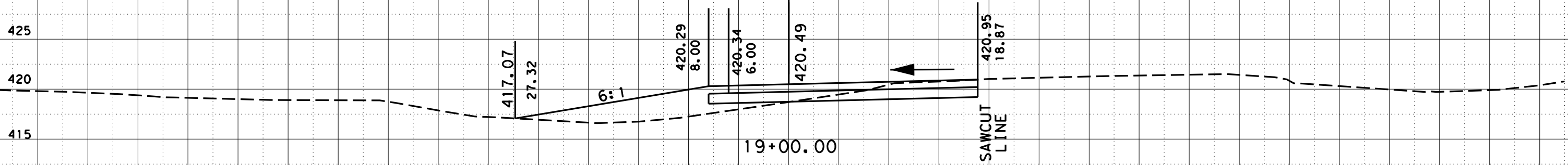
CONT	SECT	JOB	HIGHWAY
0197	02	124, etc.	US 175
DIST	COUNTY	SHEET NO.	
DAL	DALLAS, ETC.	5	

DATE: 08/28/2000 3:55:33 PM

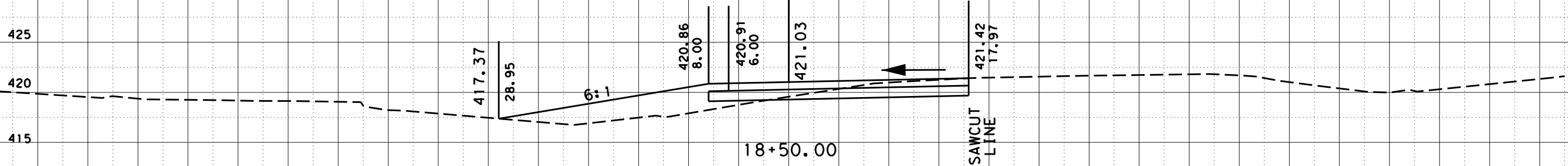
FILE: D:\DOCUMENTS\PROJECTS\18 - DAL\Design Projects\019702124\4 - DesignMaster Design Files\X-SECTS\NEWENTRAMP\_PATTERN\019702124\18 - ENTRANCE RAMP

NOTE: X-SECTS 10+00 THRU 21+00 ARE PERPENDICULAR TO US 175 MAIN LANE CENTER LINE

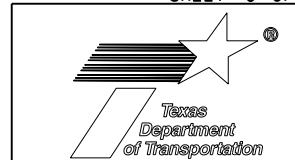
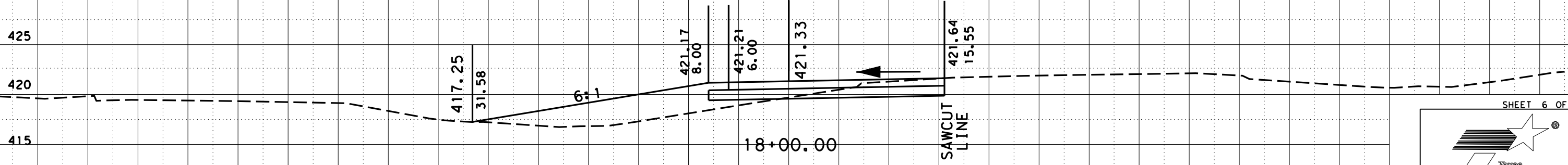
ENTRANCE RAMP (CHAIN NAME: NEWER)



ENTRANCE RAMP (CHAIN NAME: NEWER)



ENTRANCE RAMP (CHAIN NAME: NEWER)



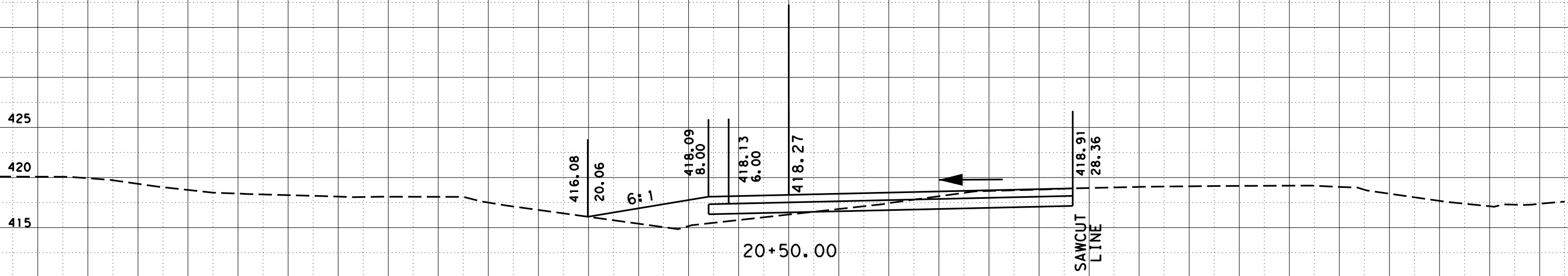
CONT	SECT	JOB	HIGHWAY
0197	02	124, etc.	US 175
DIST	COUNTY		SHEET NO.
DAL	DALLAS, ETC.		6

DATE: 08/28/2000 3:55:33 PM

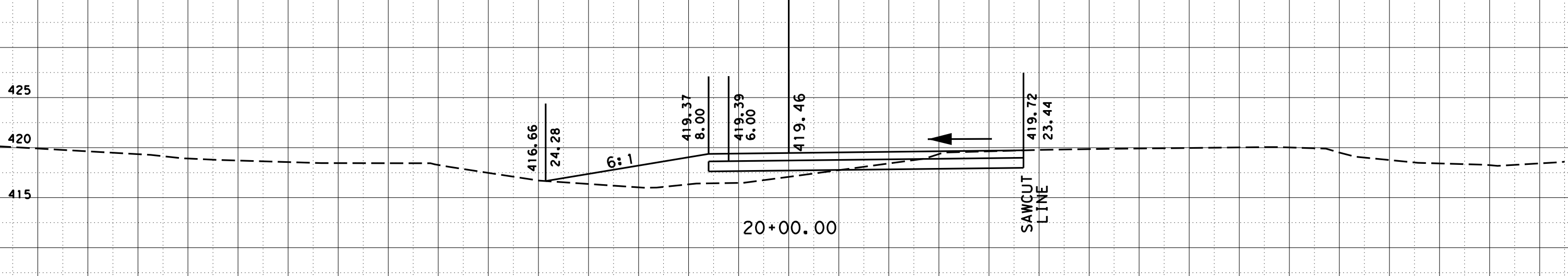
FILE: D:\DOCUMENTS\PROJECTS\18 - DAL\Design Projects\019702124\4 - DesignMaster Design Files\X-SECTS\NEWENTRAMP\_PATTERN\019702124\75-ENTRANCE Ramp

NOTE: X-SECTS 10+00 THRU 21+00 ARE PERPENDICULAR TO US 175 MAIN LANE CENTER LINE

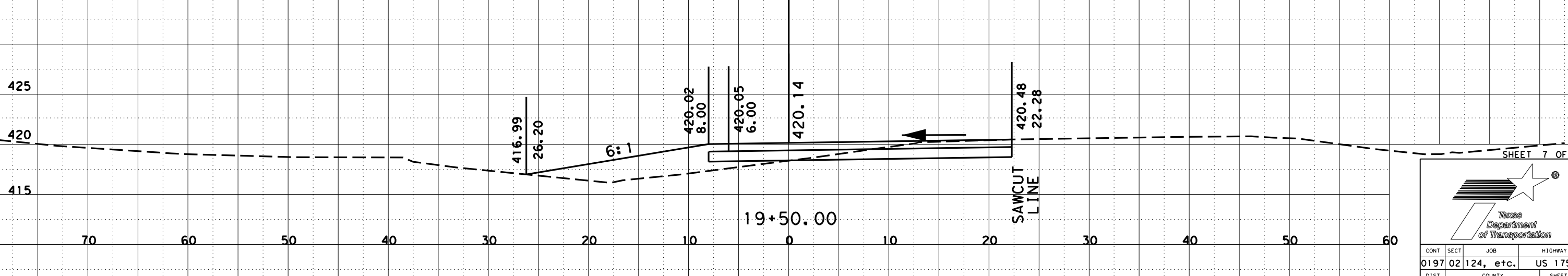
ENTRANCE RAMP (CHAIN NAME:NEWER)



ENTRANCE RAMP (CHAIN NAME:NEWER)



ENTRANCE RAMP (CHAIN NAME:NEWER)



SHEET 7 OF 11

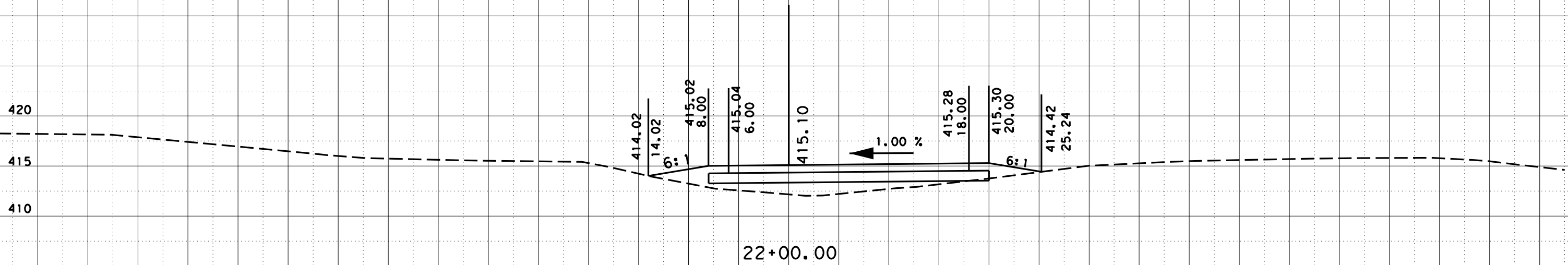
CONT	SECT	JOB	HIGHWAY
0197	02	124, etc.	US 175
DIST	COUNTY		SHEET NO.
DAL	DALLAS, ETC.		7

DATE: 08/28/2000 3:55:38 PM

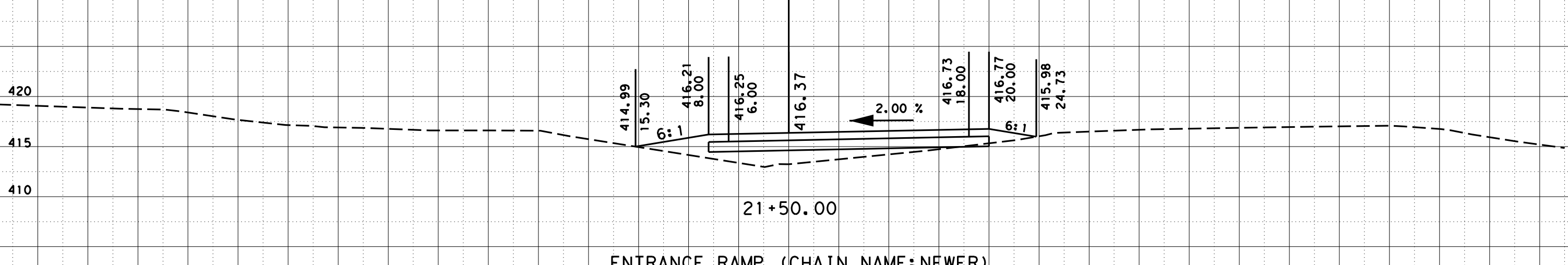
FILE: D:\DOCUMENTS\PROJECTS\18 - DAL\Design Projects\019702124\4 - Design\Master Design Files\X-SECTS\NEWENTRAMP\_PATTERN\019702124\18 - ENTRANCE RAMP

NOTE: X-SECTS 10+00 THRU 21+00 ARE PERPENDICULAR TO US 175 MAIN LANE CENTER LINE

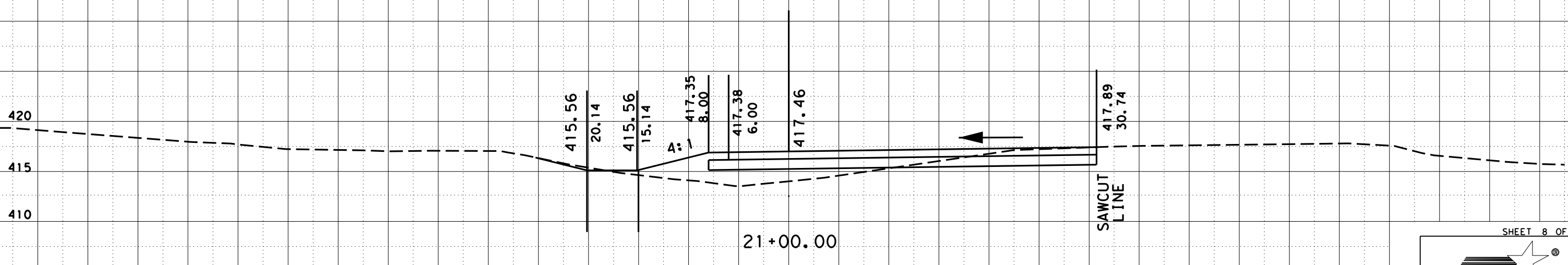
ENTRANCE RAMP (CHAIN NAME: NEWER)



ENTRANCE RAMP (CHAIN NAME: NEWER)



ENTRANCE RAMP (CHAIN NAME: NEWER)



SHEET 8 OF 11



CONT	SECT	JOB	HIGHWAY
0197	02	124, etc.	US 175
DIST	COUNTY	SHEET NO.	
DAL	DALLAS, ETC.	8	

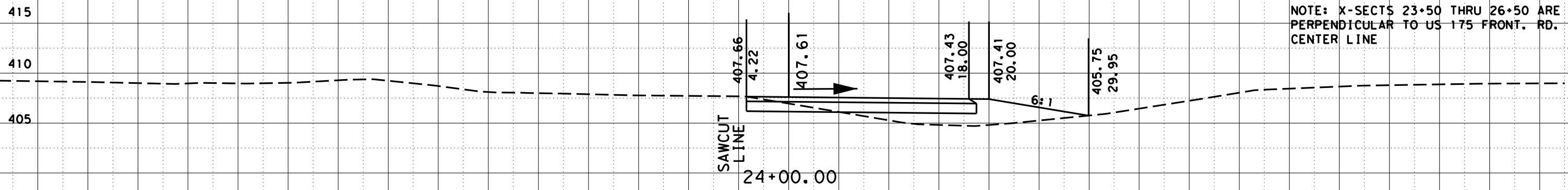


DATE: 08/28/2000 3:54:03 PM

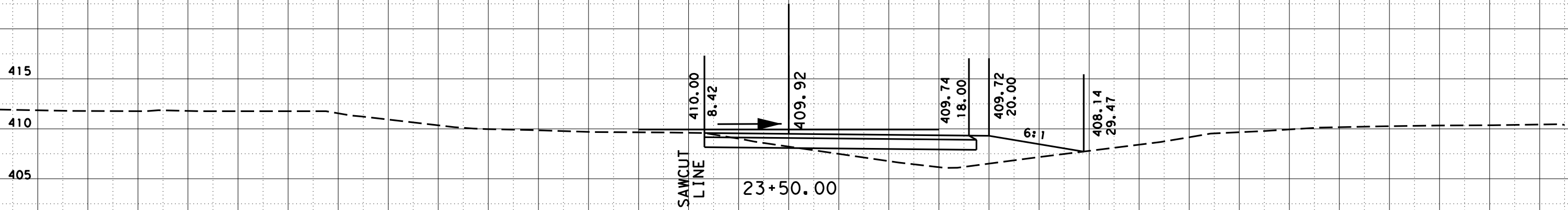
FILE: D:\DOCUMENTS\PROJECTS\18 - DAL\Design Projects\019702124\4 - Design\Master Design Files\X-SECTS\NEWENTRAMP\_PATTERN\019702124\18 - ENTRANCE Ramp

ENTRANCE RAMP (CHAIN NAME:NEWER)

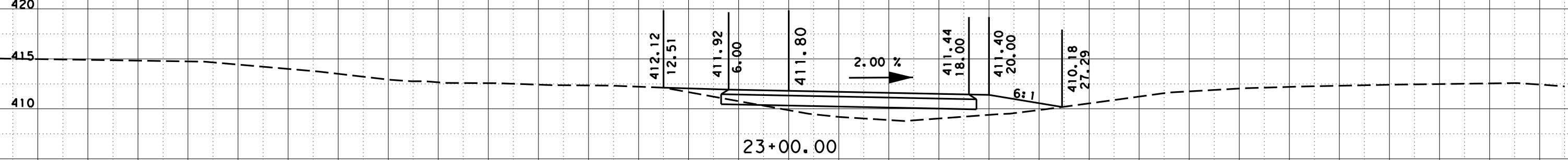
NOTE: X-SECTS 23+50 THRU 26+50 ARE PERPENDICULAR TO US 175 FRONT. RD. CENTER LINE



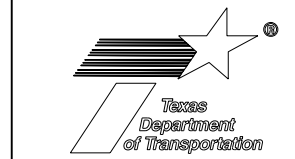
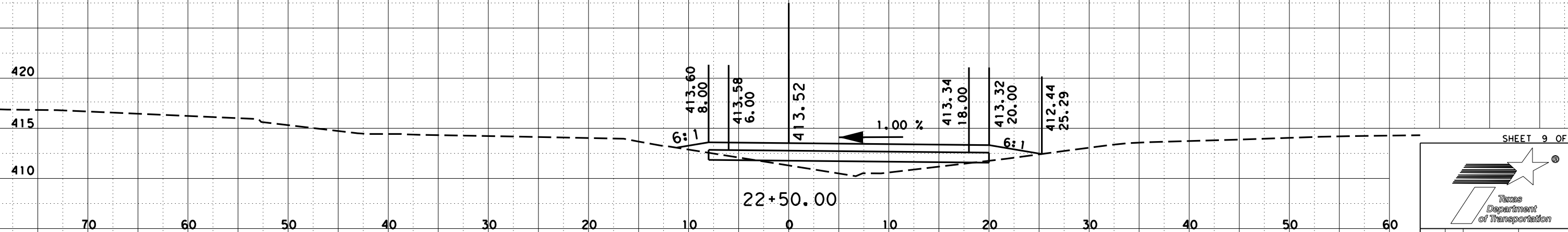
ENTRANCE RAMP (CHAIN NAME:NEWER)



ENTRANCE RAMP (CHAIN NAME:NEWER)



ENTRANCE RAMP (CHAIN NAME:NEWER)



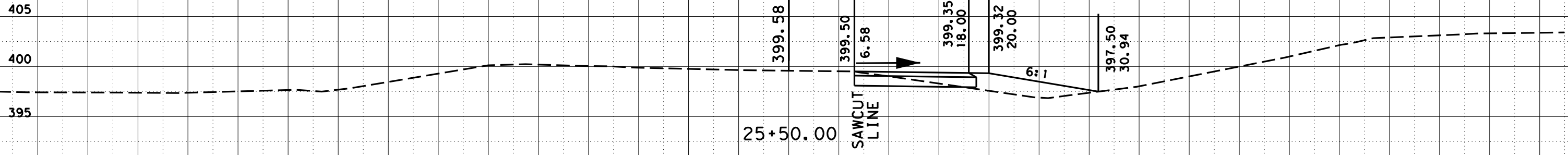
CONT	SECT	JOB	HIGHWAY
0197	02	124, etc.	US 175
DIST	COUNTY		SHEET NO.
DAL	DALLAS, ETC.		9

DATE: 08/28/2000 3:54:03 PM

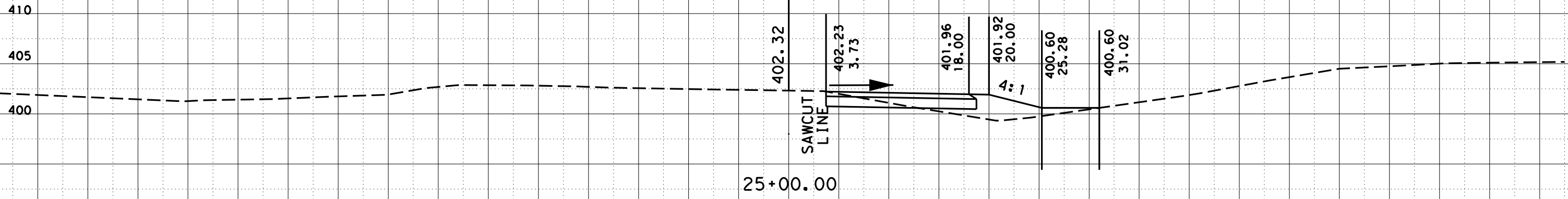
FILE: D:\DOCUMENTS\PROJECTS\18 - DAL\Design Projects\019702124\4 - DesignMaster Design Files\X-SECTS\NEWENTRAMP\_PATTERN\019702124\18 - ENTRANCE Ramp

NOTE: X-SECTS 23+50 THRU 26+50 ARE PERPENDICULAR TO US 175 FRONT, RD, CENTER LINE

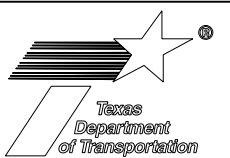
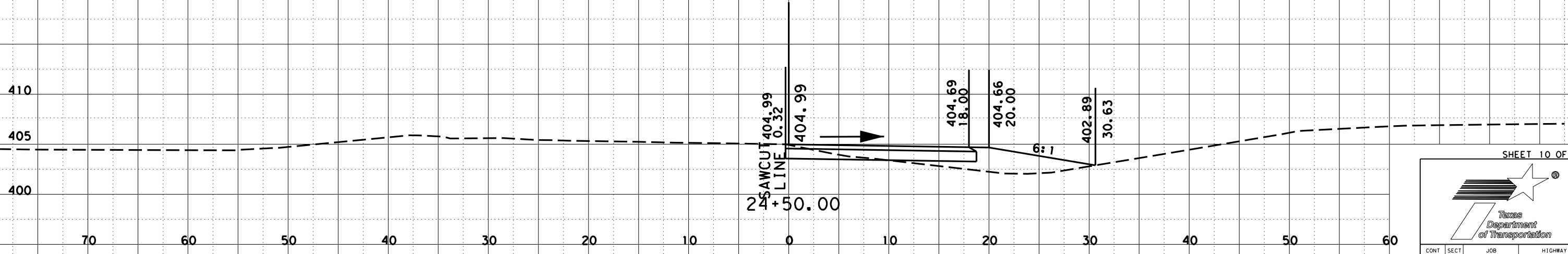
### ENTRANCE RAMP (CHAIN NAME:NEWER)



### ENTRANCE RAMP (CHAIN NAME:NEWER)



### ENTRANCE RAMP (CHAIN NAME:NEWER)



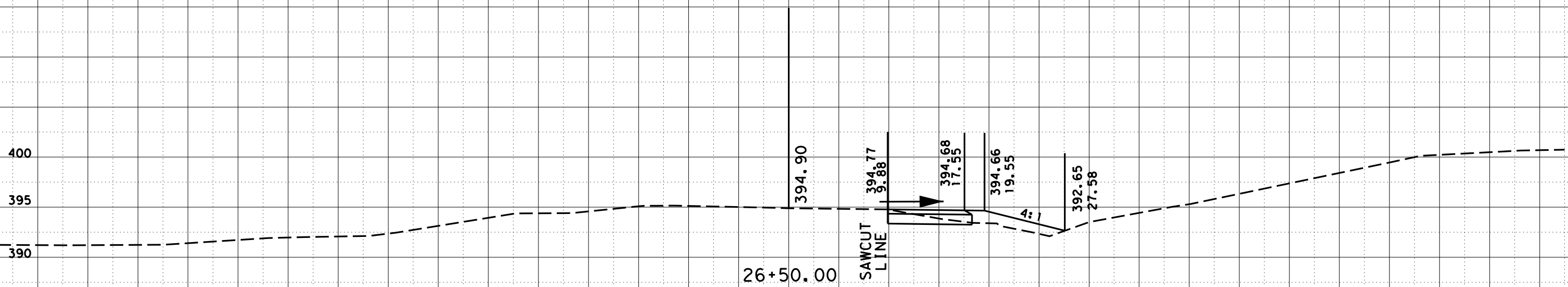
CONT	SECT	JOB	HIGHWAY
0197	02	124, etc.	US 175
DIST	COUNTY	SHEET NO.	
DAL	DALLAS, ETC.	10	

DATE: 06/28/2000 3:54:35PM

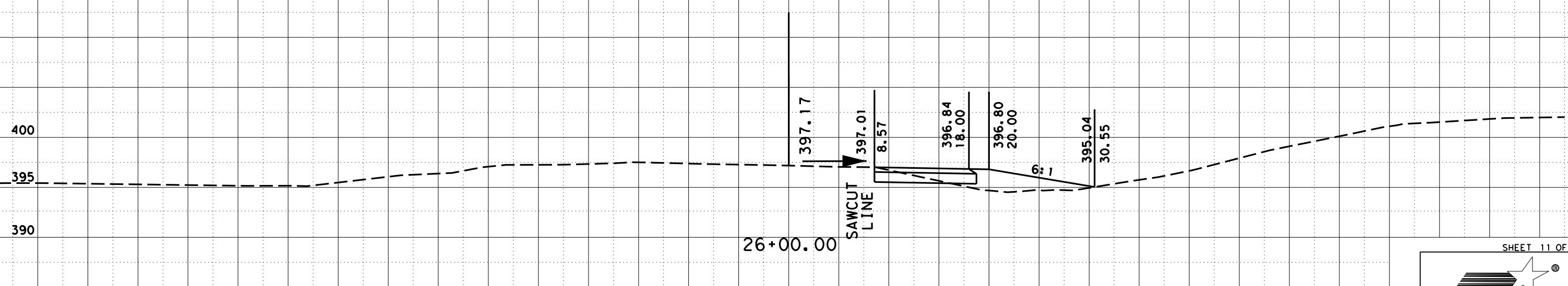
FILE: D:\DOCUMENTS\PROJECTS\18 - DAL\Design Projects\019702124\4 - Design\Master Design Files\X-SECTS\NEWENTRAMP\_PATTERN\019702124\75-ENTRANCE Ramp

NOTE: X-SECTS 23+50 THRU 26+50 ARE PERPENDICULAR TO US 175 FRONT. RD. CENTER LINE

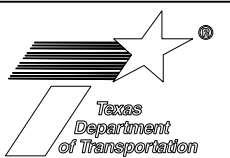
ENTRANCE RAMP (CHAIN NAME:NEWER)



ENTRANCE RAMP (CHAIN NAME:NEWER)



SHEET 11 OF 11



CONT	SECT	JOB	HIGHWAY
0197	02	124, etc.	US 175
DIST	COUNTY	SHEET NO.	
DAL	DALLAS, ETC.	11	