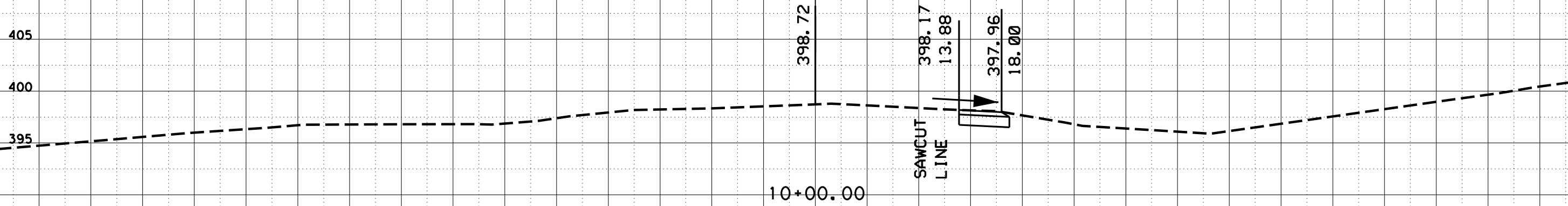


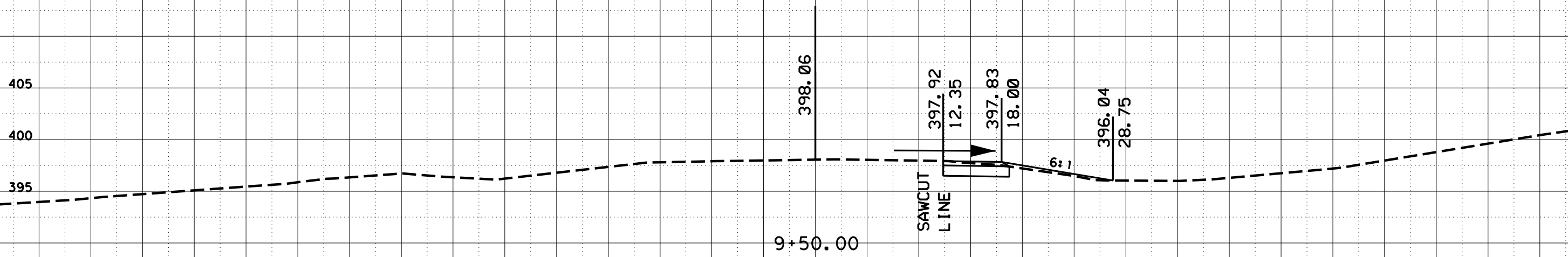
DATE: 09/02/2020 4@23172PM
 FILE: D:\DOCUMENTS\TxDOT\Projects\019702124\4 - DesignMaster Design Files\X-SECTS\X-Sects & Sheet Files\EXIT RAMP 2.dgn

EXIT RAMP (CHAIN NAME: EXTRMP)

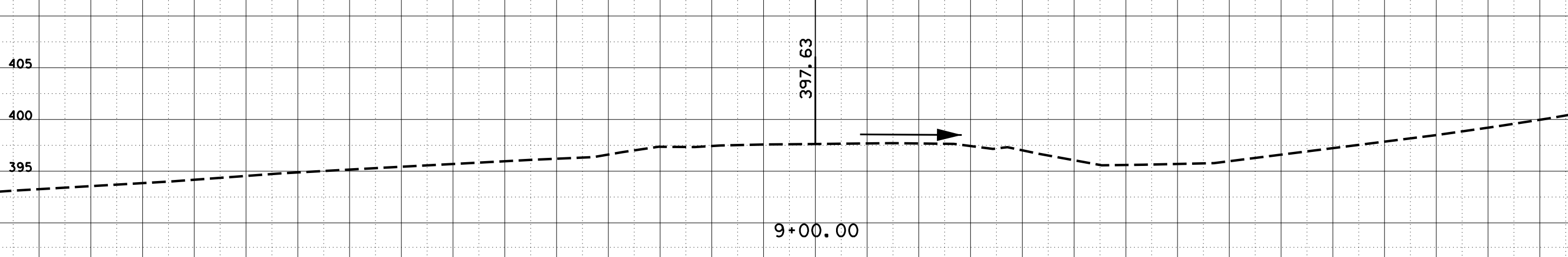
NOTE: X-SECTS 9+00 THRU 14+50 ARE PERPENDICULAR TO US 175 FRONT. RD. CENTERLINE



EXIT RAMP (CHAIN NAME: EXTRMP)



EXIT RAMP (CHAIN NAME: EXTRMP)



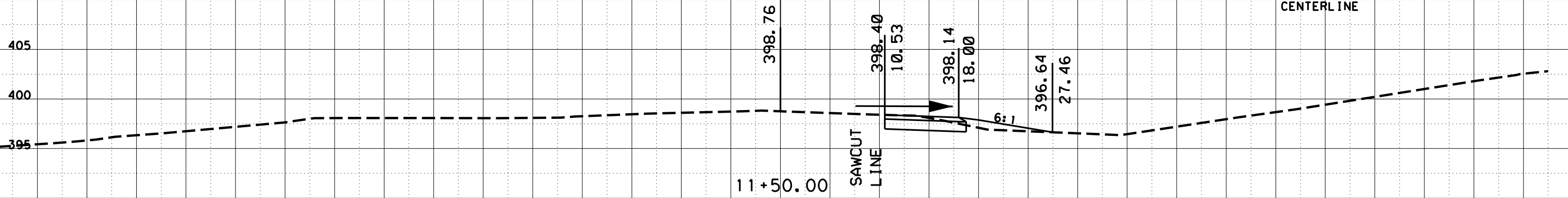
CONT	SECT	JOB	HIGHWAY
0197	02	124, etc.	US 175
DIST	COUNTY		SHEET NO.
DAL	DALLAS, ETC.		1

DATE: 09/02/2020 4@28172PMM

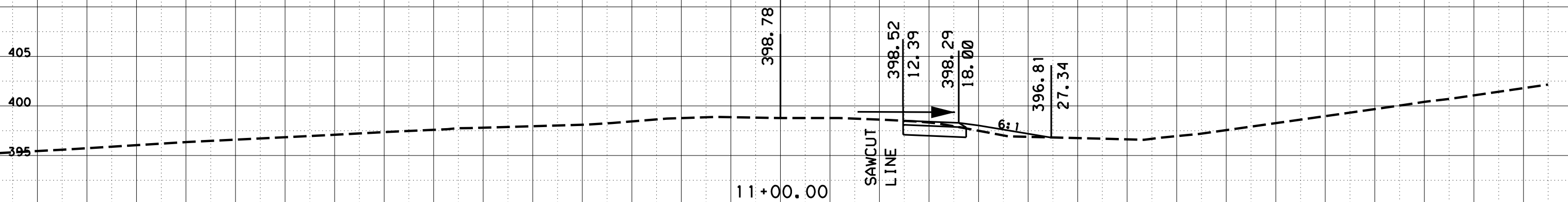
FILE: D:\DOCUMENTS\TxDOT\Projects\18 - DAL\Design Projects\019702124\4 - DesignMaster Design Files\X-SECTS\X-Sects & Sheet Files\EXIT RAMP 2.dgn

EXIT RAMP (CHAIN NAME: EXTRMP)

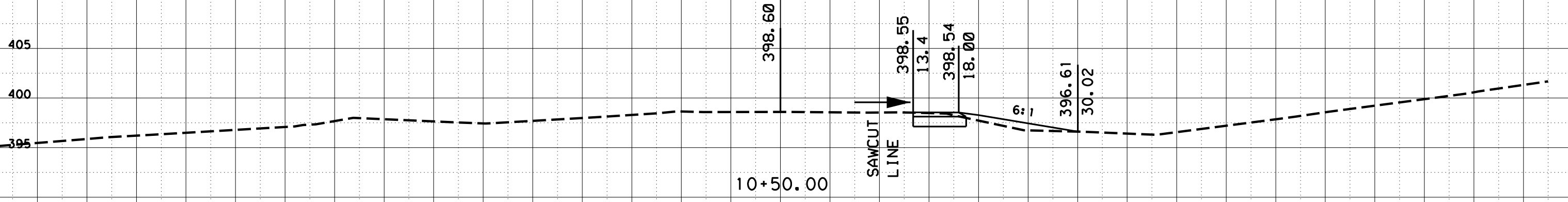
NOTE: X-SECTS 9+00 THRU 14+50 ARE PERPENDICULAR TO US 175 FRONT. RD. CENTERLINE



EXIT RAMP (CHAIN NAME: EXTRMP)



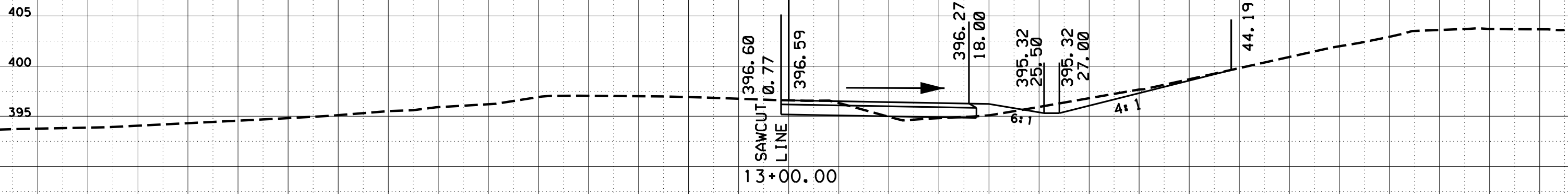
EXIT RAMP (CHAIN NAME: EXTRMP)



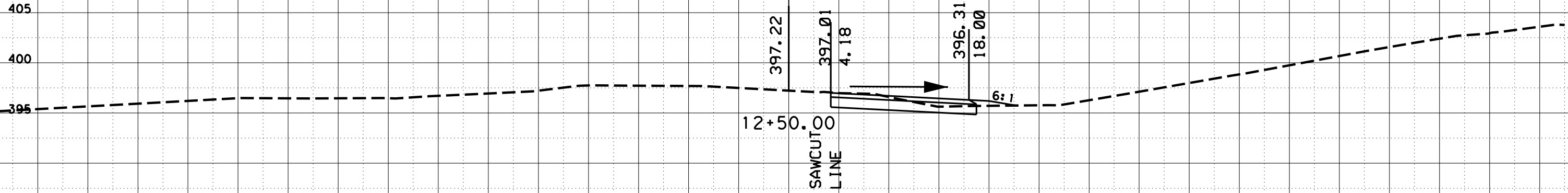
CONT	SECT	JOB	HIGHWAY
0197	02	124, etc.	US 175
DIST	COUNTY		SHEET NO.
DAL	DALLAS, ETC.		2

EXIT RAMP (CHAIN NAME: EXTRMP)

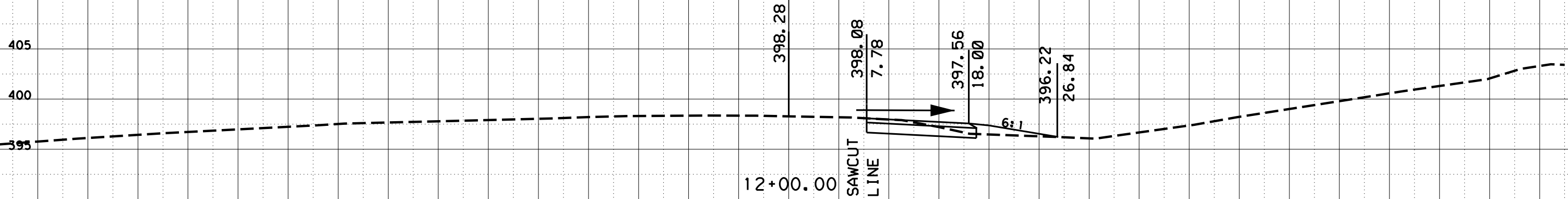
NOTE: X-SECTS 9+00 THRU 14+50 ARE PERPENDICULAR TO US 175 FRONT. RD. CENTERLINE



EXIT RAMP (CHAIN NAME: EXTRMP)

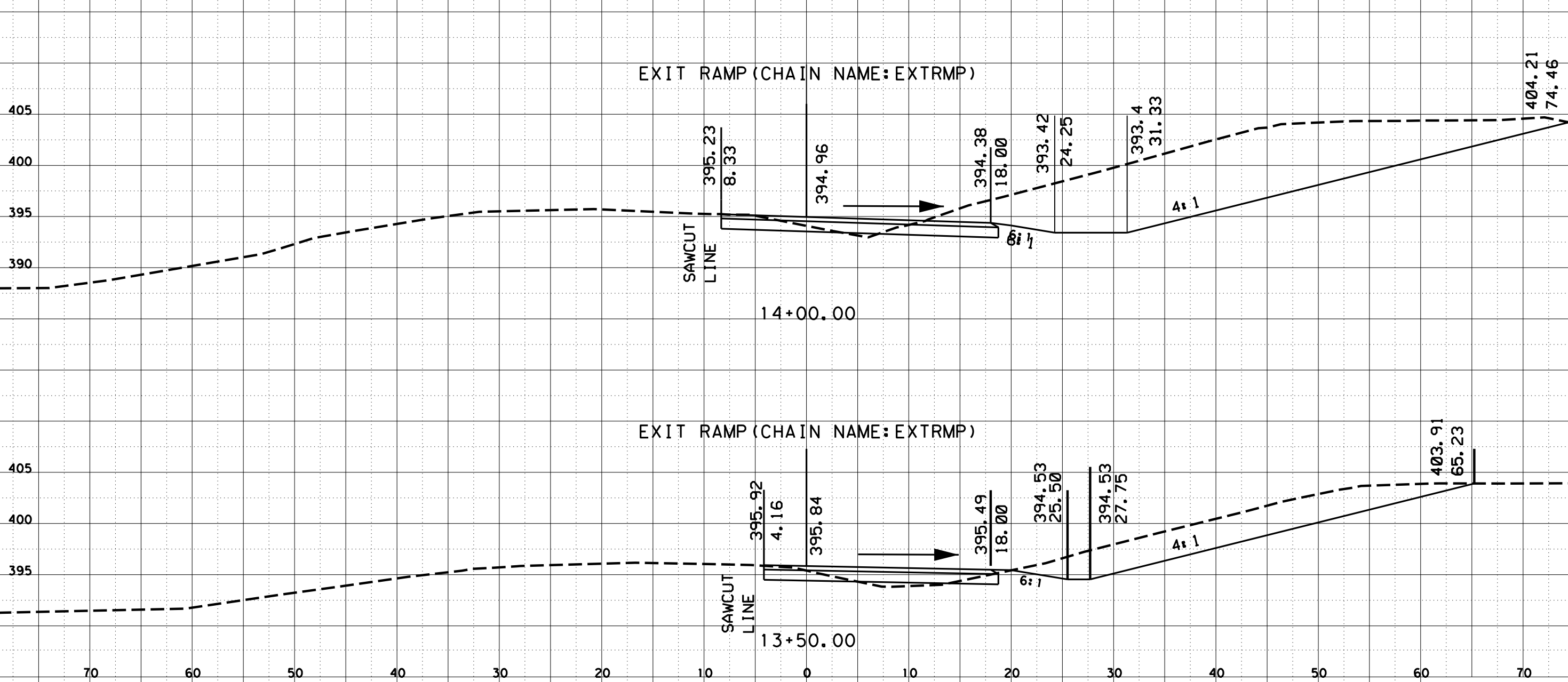


EXIT RAMP (CHAIN NAME: EXTRMP)



CONT	SECT	JOB	HIGHWAY
0197	02	124, etc.	US 175
DIST	COUNTY	SHEET NO.	
DAL	DALLAS, ETC.	3	

NOTE: X-SECTS 9+00 THRU 14+50 ARE PERPENDICULAR TO US 175 FRONT. RD. CENTERLINE



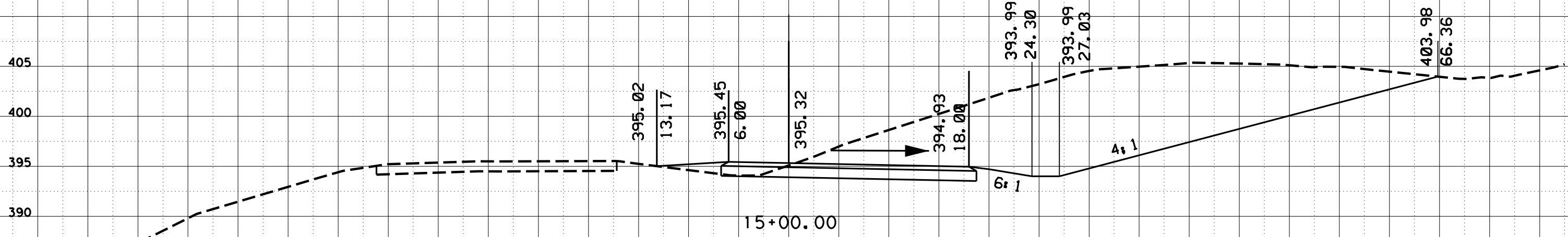
CONT	SECT	JOB	HIGHWAY
0197	02	124, etc.	US 175
DIST	COUNTY		SHEET NO.
DAL	DALLAS, ETC.		4

DATE: 09/02/2020 4:28:32PM

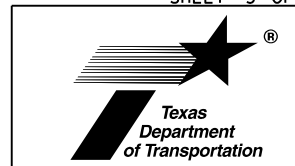
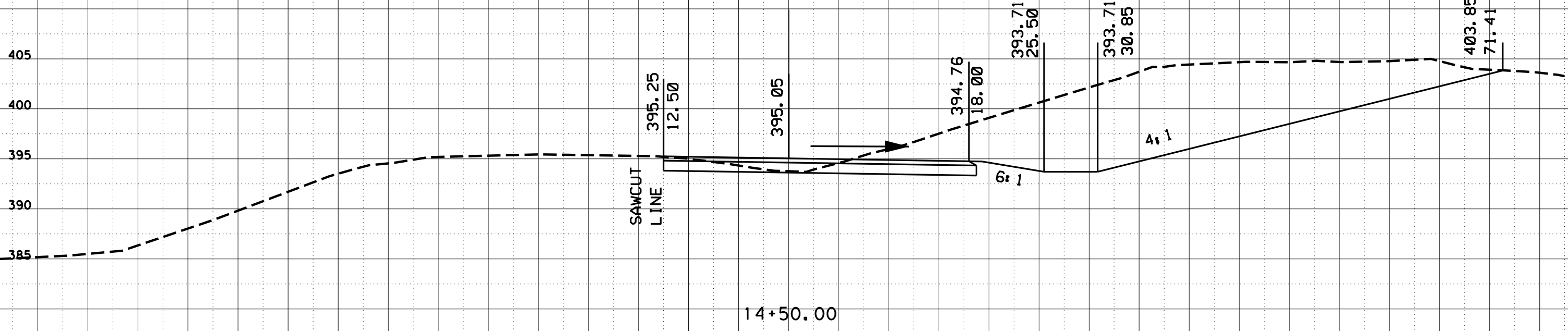
FILE: D:\DOCUMENTS\PROJECTS\18 - DAL\Design Projects\019702124\4 - Design\Master Design Files\X-SECTS\X-Sects & Sheet Files\EXIT RAMP 2.dgn

NOTE: X-SECTS 9+00 THRU 14+50 ARE PERPENDICULAR TO US 175 FRONT, RD. CENTERLINE

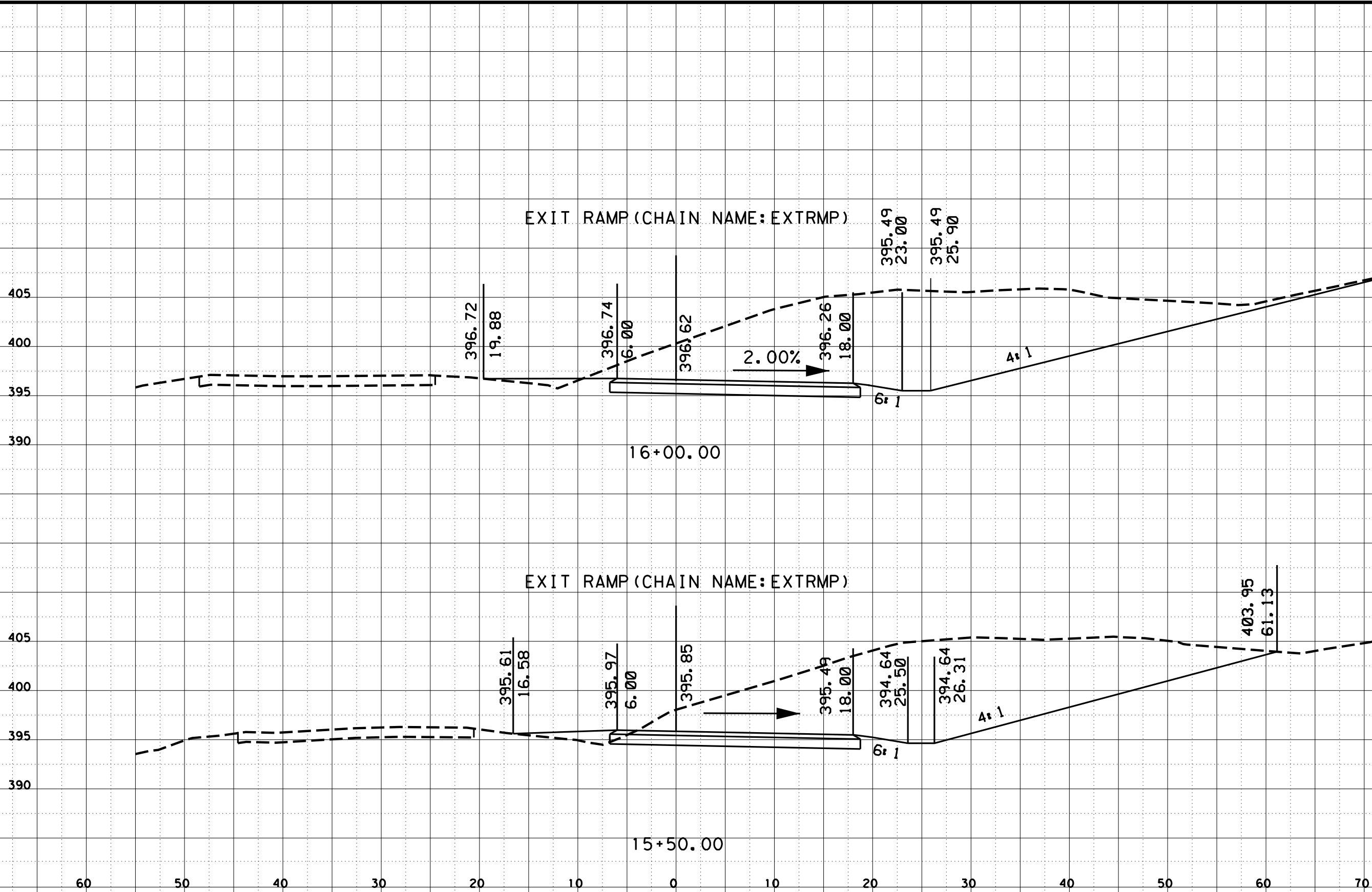
EXIT RAMP (CHAIN NAME: EXTRMP)



EXIT RAMP (CHAIN NAME: EXTRMP)



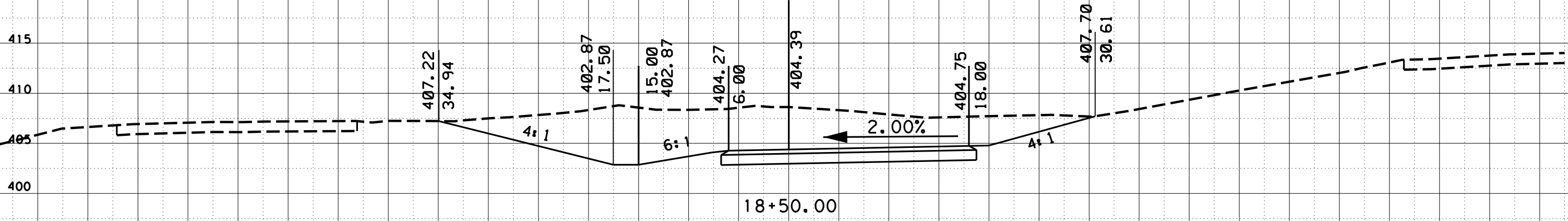
CONT	SECT	JOB	HIGHWAY
0197	02	124, etc.	US 175
DIST	COUNTY	SHEET NO.	
DAL	DALLAS, ETC.	5	



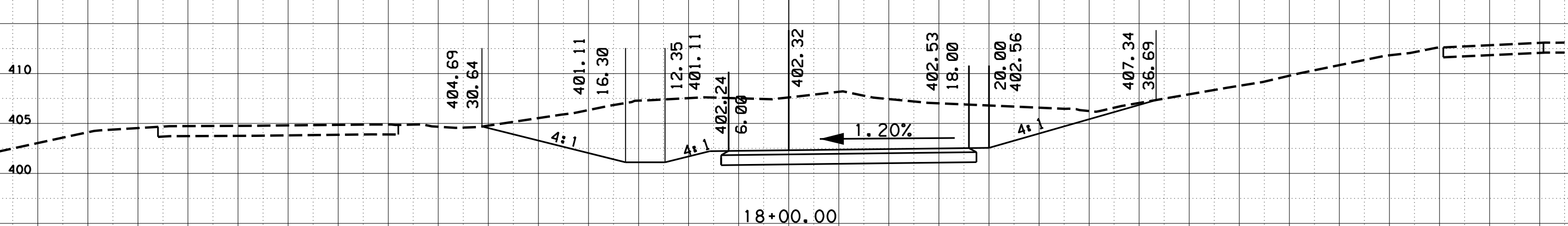
CONT	SECT	JOB	HIGHWAY
0197	02	124, etc.	US 175
DIST	COUNTY	SHEET NO.	
DAL	DALLAS, ETC.	6	

DATE: 09/02/2020 10:24:17 PM
 FILE: D:\DOCUMENTS\PROJECTS\18 - DAL\Design Projects\019702124\4 - DesignMaster Design Files\X-SECTS\X-Sects & Sheet Files\EXIT RAMP 2.dgn

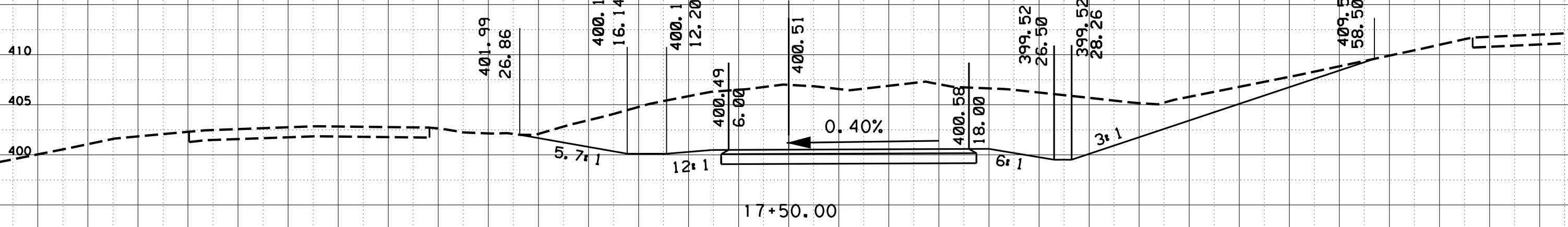
EXIT RAMP (CHAIN NAME: EXTRMP)



EXIT RAMP (CHAIN NAME: EXTRMP)



EXIT RAMP (CHAIN NAME: EXTRMP)



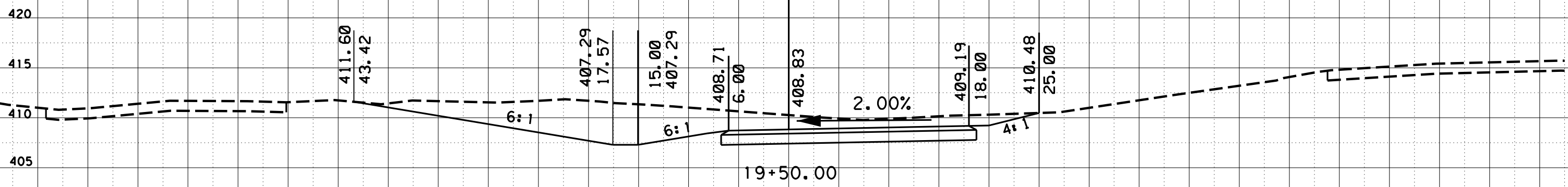
CONT	SECT	JOB	HIGHWAY
0197	02	124, etc.	US 175
DIST	COUNTY		SHEET NO.
DAL	DALLAS, ETC.		7

16.14

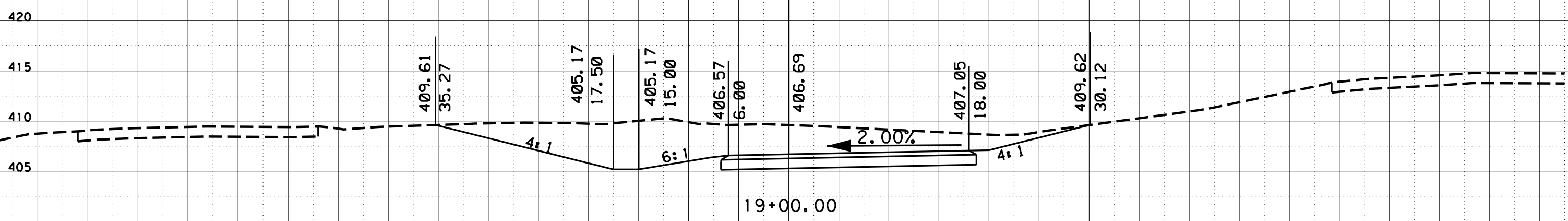
40407070

DATE: 09/02/2020 40241Z2PMM
 FILE: D:\DOCUMENTS\TxDOT\Documents\18 - DAL\Design Projects\019702124\4 - Design\Master Design Files\X-SECTS\X-Sects & Sheet Files\EXIT_RAMP_2.dgn

EXIT RAMP (CHAIN NAME: EXTRMP)

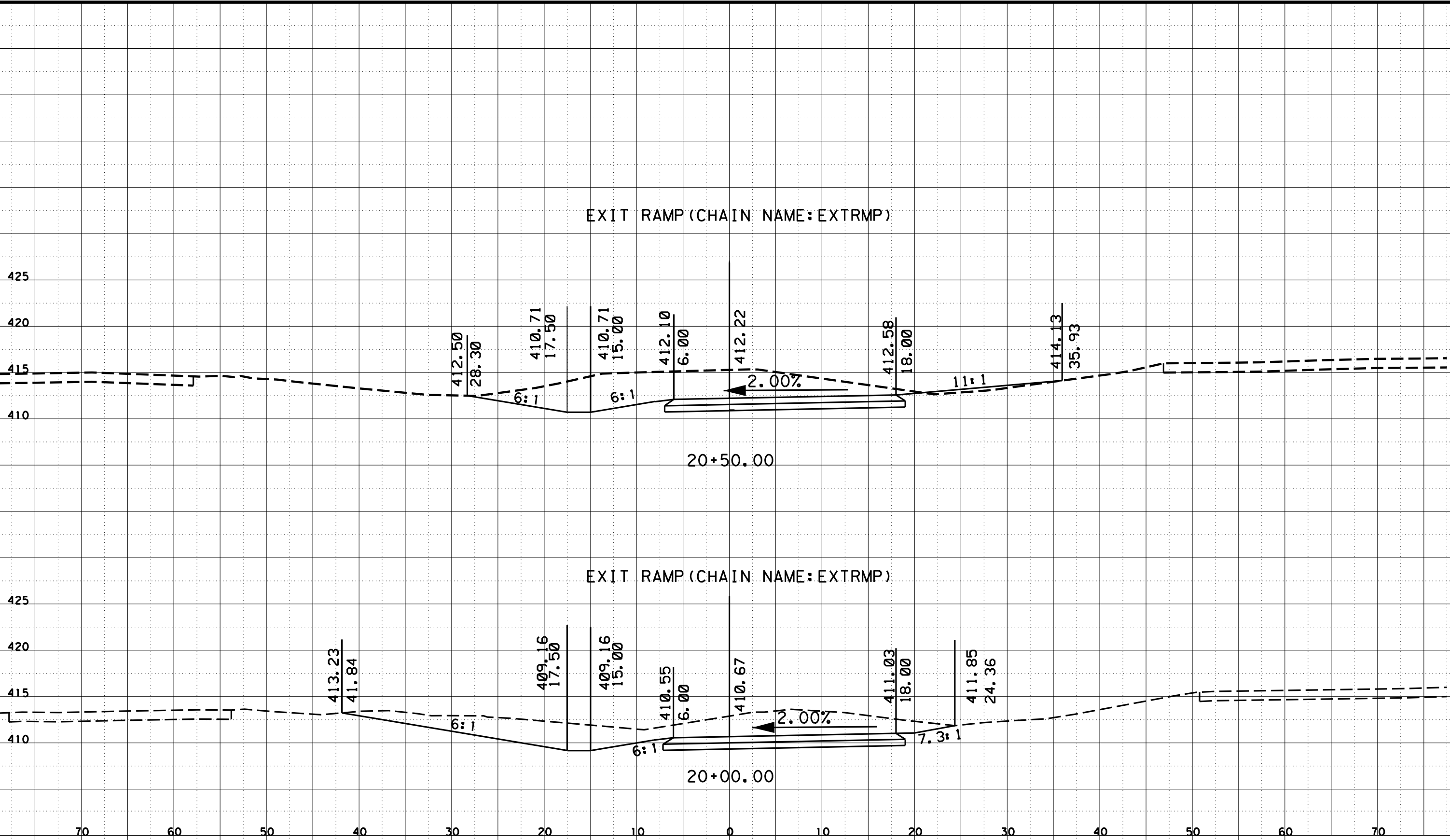


EXIT RAMP (CHAIN NAME: EXTRMP)



CONT	SECT	JOB	HIGHWAY
0197	02	124, etc.	US 175
DIST	COUNTY	SHEET NO.	
DAL	DALLAS, ETC.	8	

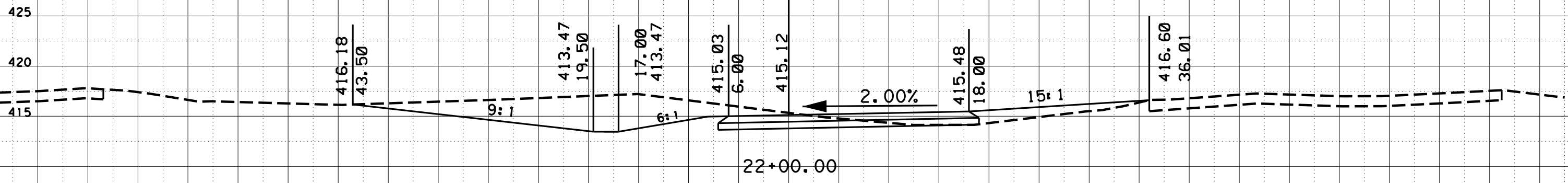
DATE: 09/02/2020 10:24:33 AM
 FILE: D:\DOCUMENTS\PROJECTS\18 - DAL\Design Projects\019702124\4 - DesignMaster Design Files\X-SECTS\X-Sects & Sheet Files\EXIT_RAMP_2.dgn



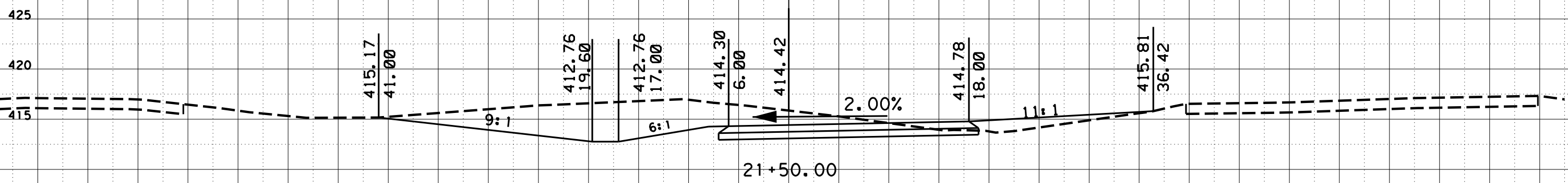
CONT	SECT	JOB	HIGHWAY
0197	02	124, etc.	US 175
DIST	COUNTY		SHEET NO.
DAL	DALLAS, ETC.		9

DATE: 09/02/2020 09:24:33 AM
 FILE: D:\DOCUMENTS\PROJECTS\18 - DAL\Design Projects\019702124\4 - DesignMaster Design Files\X-SECTS\X-Sects & Sheet Files\EXIT RAMP 2.dgn

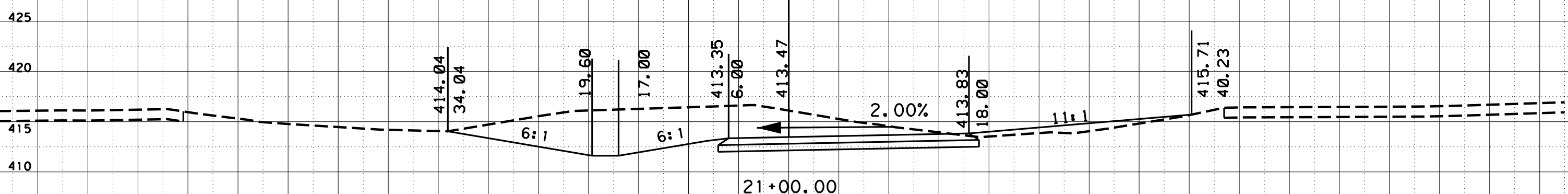
EXIT RAMP (CHAIN NAME: EXTRMP)



EXIT RAMP (CHAIN NAME: EXTRMP)



EXIT RAMP (CHAIN NAME: EXTRMP)

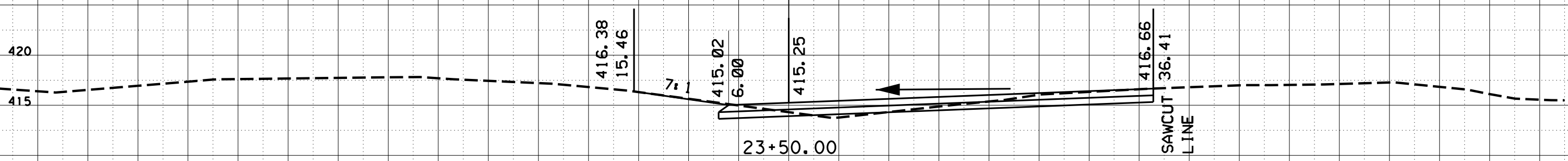


CONT	SECT	JOB	HIGHWAY
0197	02	124, etc.	US 175
DIST	COUNTY		SHEET NO.
DAL	DALLAS, ETC.		10

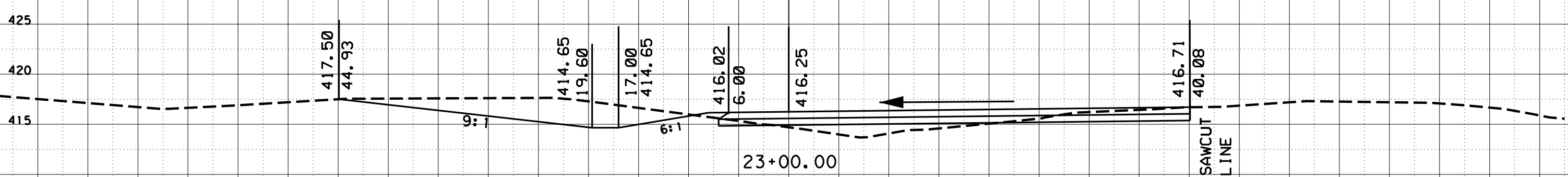
DATE: 09/02/2020 10:24:33 AM
 FILE: D:\DOCUMENTS\PROJECTS\18 - DAL\Design Projects\019702124\4 - DesignMaster Design Files\X-SECTS\X-Sects & Sheet Files\EXIT_RAMP_2.dgn

NOTE: X-SECTS 22+50 THRU 29+50 ARE PERPENDICULAR TO US 175 MAIN LANE CENTER LINE

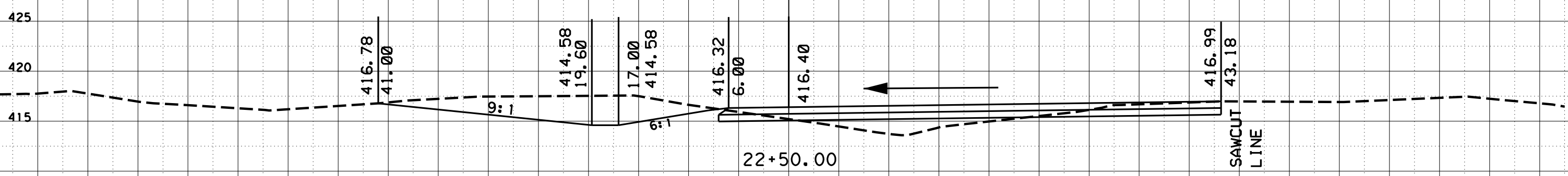
EXIT RAMP (CHAIN NAME: EXTRMP)



EXIT RAMP (CHAIN NAME: EXTRMP)



EXIT RAMP (CHAIN NAME: EXTRMP)



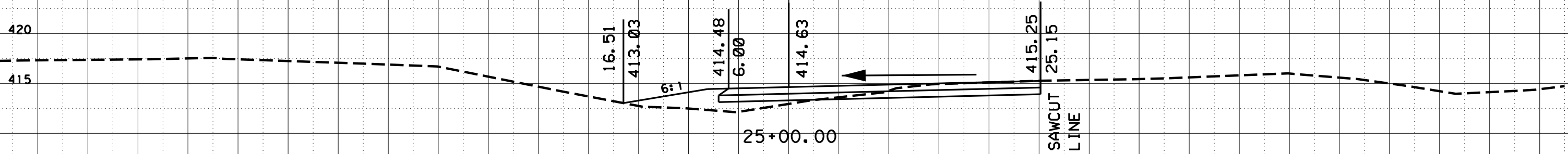
70 60 50 40 30 20 10 0 10 20 30 40 50 60 70

CONT	SECT	JOB	HIGHWAY
0197	02	124, etc.	US 175
DIST	COUNTY		SHEET NO.
DAL	DALLAS, ETC.		11

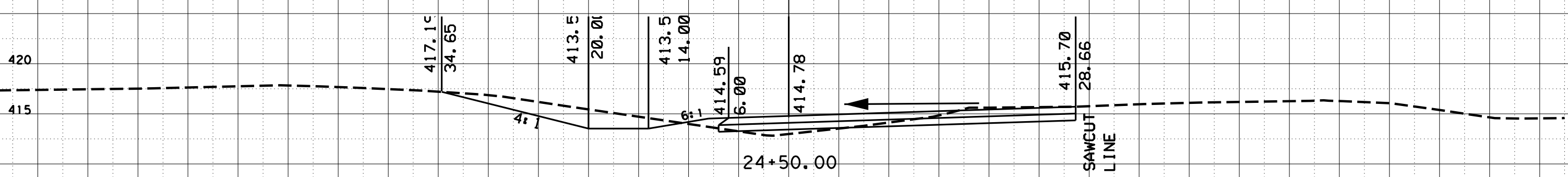
DATE: 09/02/2020 09:25:03 AM
 FILE: D:\DOCUMENTS\TxDOT\Projects\18 - DAL\Design Projects\019702124\4 - Design\Master Design Files\X-SECTS\X-Sects & Sheet Files\EXIT RAMP 2.dgn

NOTE: X-SECTS 22+50 THRU 29+50 ARE PERPENDICULAR TO US 175 MAIN LANE CENTER LINE

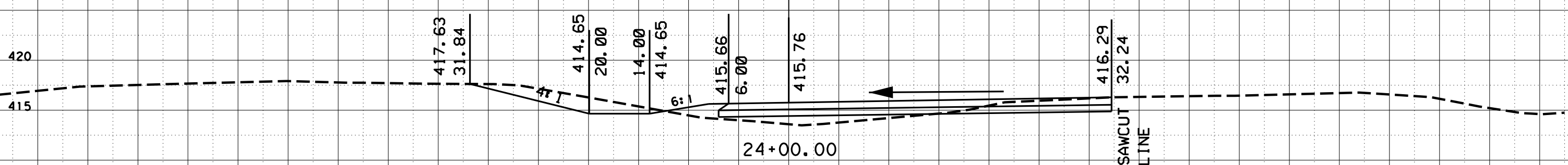
EXIT RAMP (CHAIN NAME: EXTRMP)



EXIT RAMP (CHAIN NAME: EXTRMP)



EXIT RAMP (CHAIN NAME: EXTRMP)

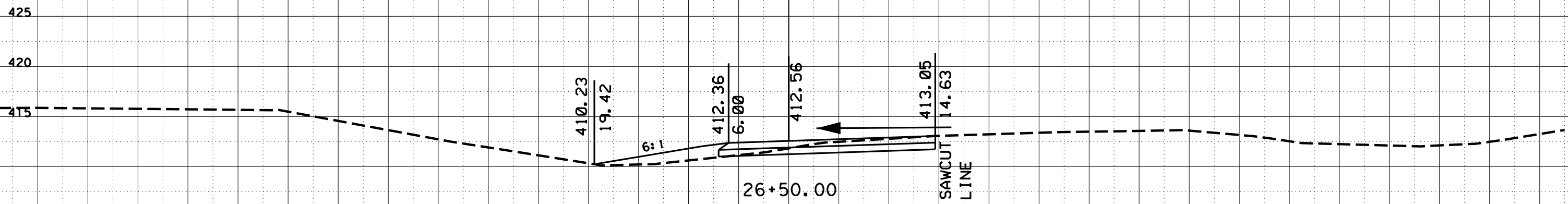


CONT	SECT	JOB	HIGHWAY
0197	02	124, etc.	US 175
DIST	COUNTY	SHEET NO.	
DAL	DALLAS, ETC.	12	

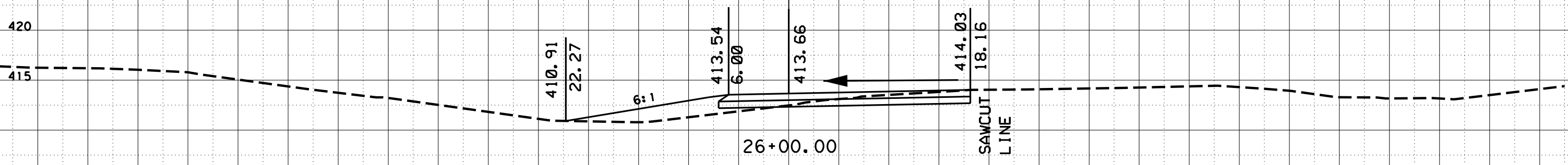
DATE: 09/02/2020 4:25:17 PM
 FILE: D:\DOCUMENTS\TxDOT\Projects\18 - DAL\Design Projects\019702124\4 - DesignMaster Design Files\X-SECTS\X-Sects & Sheet Files\EXIT RAMP 2.dgn

NOTE: X-SECTS 22+50 THRU 29+50 ARE PERPENDICULAR TO US 175 MAIN LANE CENTER LINE

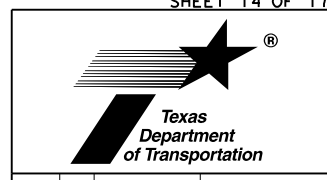
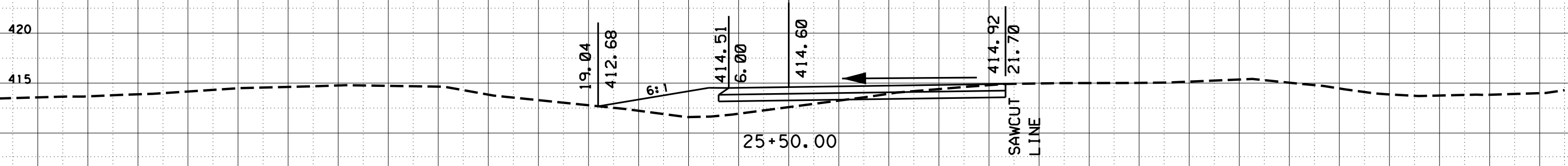
EXIT RAMP (CHAIN NAME: EXTRMP)



EXIT RAMP (CHAIN NAME: EXTRMP)



EXIT RAMP (CHAIN NAME: EXTRMP)

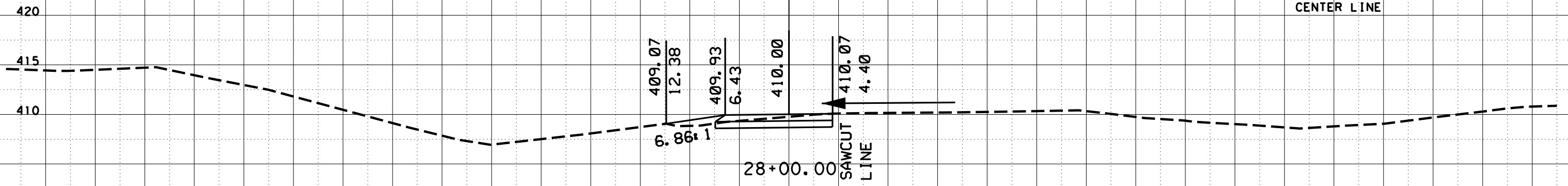


CONT	SECT	JOB	HIGHWAY
0197	02	124, etc.	US 175
DIST	COUNTY	SHEET NO.	
DAL	DALLAS, ETC.	13	

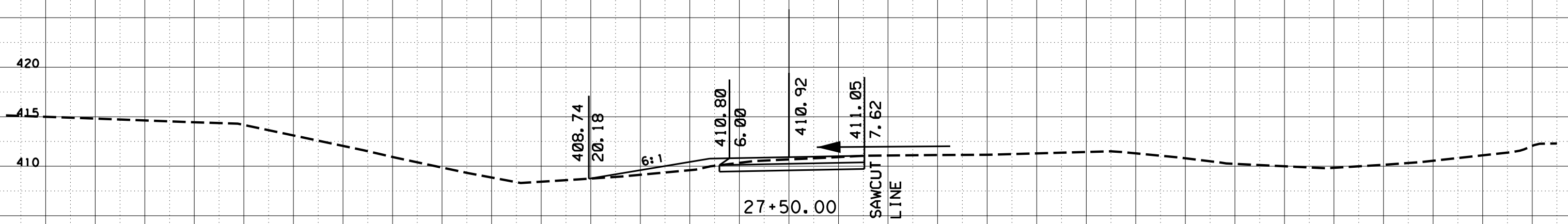
DATE: 09/02/2020 09:25:23 AM
 FILE: D:\DOCUMENTS\TxDOT\Projects\18 - DAL\Design Projects\019702124\4 - DesignMaster Design Files\X-SECTS\X-SECTS & Sheet Files\EXIT RAMP 2.dgn

NOTE: X-SECTS 22+50 THRU 29+50 ARE PERPENDICULAR TO US 175 MAIN LANE CENTER LINE

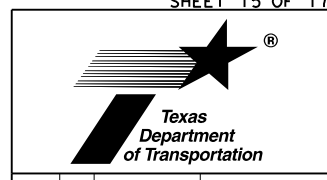
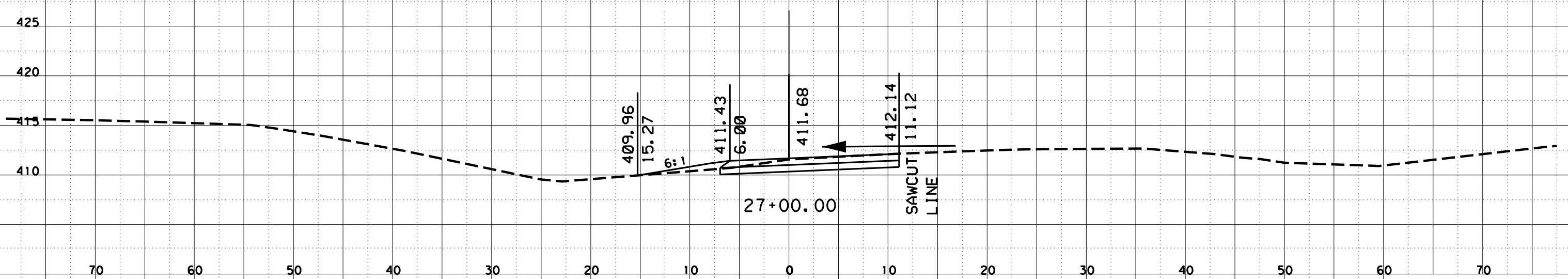
EXIT RAMP (CHAIN NAME: EXTRMP)



EXIT RAMP (CHAIN NAME: EXTRMP)



EXIT RAMP (CHAIN NAME: EXTRMP)

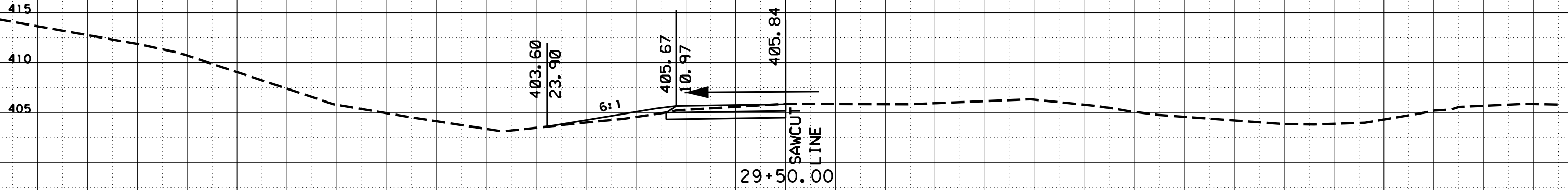


CONT	SECT	JOB	HIGHWAY
0197	02	124, etc.	US 175
DIST	COUNTY	SHEET NO.	
DAL	DALLAS, ETC.	14	

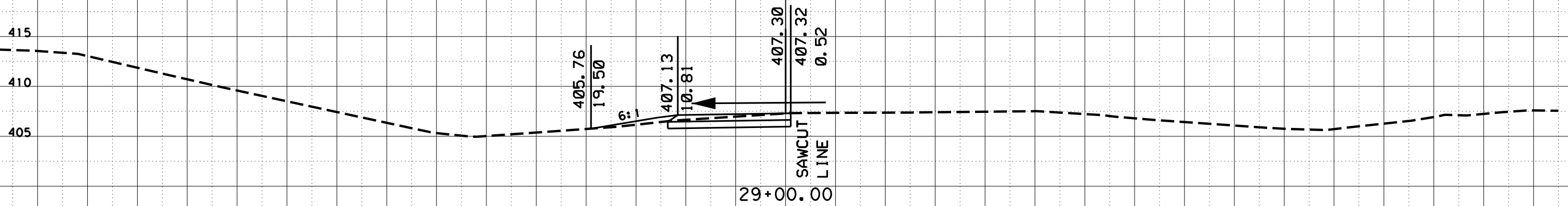
DATE: 09/02/2020 4:25:34PM
FILE: D:\DOCUMENTS\TxDOT\Projects\18 - DAL\Design Projects\019702124\4 - Design\Master Design Files\X-SECTS\X-Sects & Sheet Files\EXIT RAMP 2.dgn

EXIT RAMP (CHAIN NAME: EXTRMP)

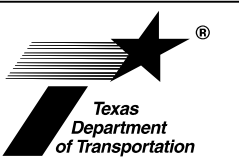
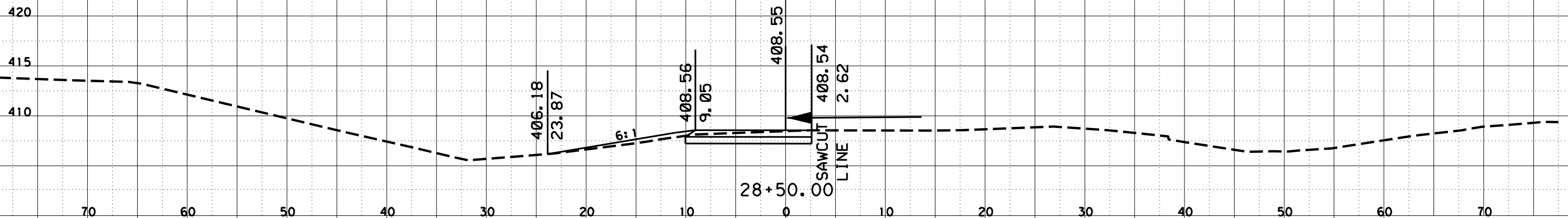
NOTE: X-SECTS 22+50 THRU 29+50 ARE PERPENDICULAR TO US 175 MAIN LANE CENTER LINE



EXIT RAMP (CHAIN NAME: EXTRMP)



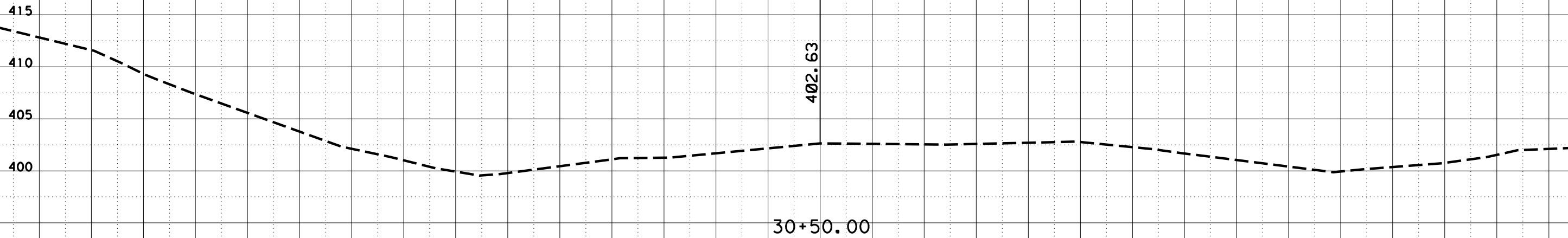
EXIT RAMP (CHAIN NAME: EXTRMP)



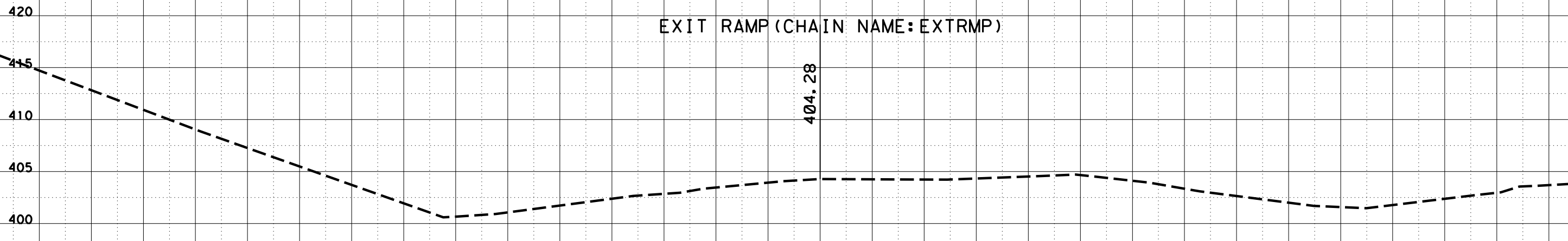
CONT	SECT	JOB	HIGHWAY
0197	02	124, etc.	US 175
DIST	COUNTY	SHEET NO.	
DAL	DALLAS, ETC.	15	

DATE: 09/02/2020 4:25:17 PM
 FILE: D:\DOCUMENTS\PROJECTS\18 - DAL\Design Projects\019702124\4 - DesignMaster Design Files\X-SECTS\X-Sects & Sheet Files\EXIT_RAMP_2.dgn

EXIT RAMP (CHAIN NAME: EXTRMP)



EXIT RAMP (CHAIN NAME: EXTRMP)



CONT	SECT	JOB	HIGHWAY
0197	02	124, etc.	US 175
DIST	COUNTY		SHEET NO.
DAL	DALLAS, ETC.		16