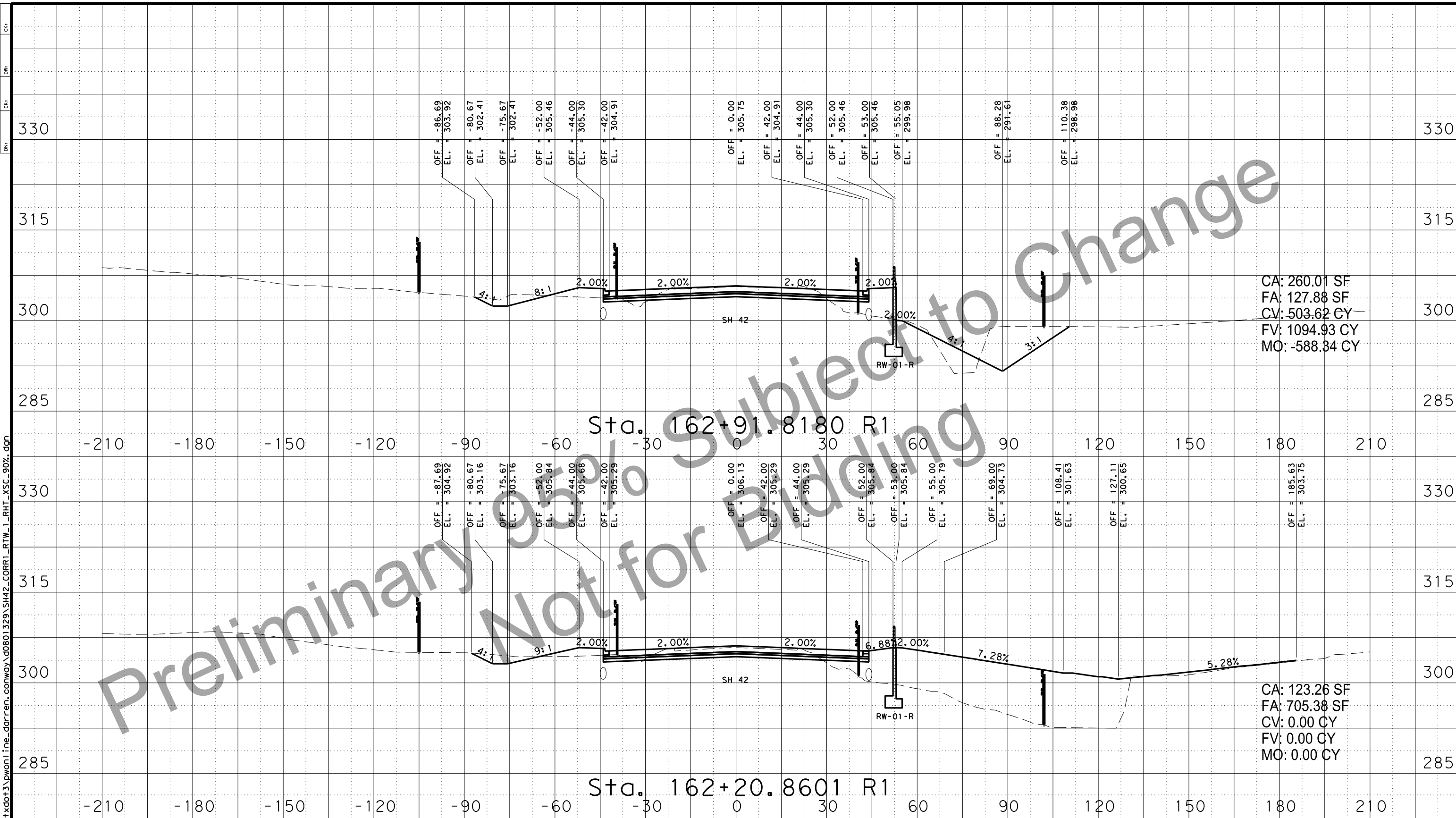


DATE: 5/15/2024 11:02:06 AM  
 FILE: c:\txdot\pw\_online\pwnonline.darren.conway\0801329\SH42\_CORR1\_RTW\_1\_RHT\_XSC\_90%.dgn



CA: 260.01 SF  
 FA: 127.88 SF  
 CV: 503.62 CY  
 FV: 1094.93 CY  
 MO: -588.34 CY

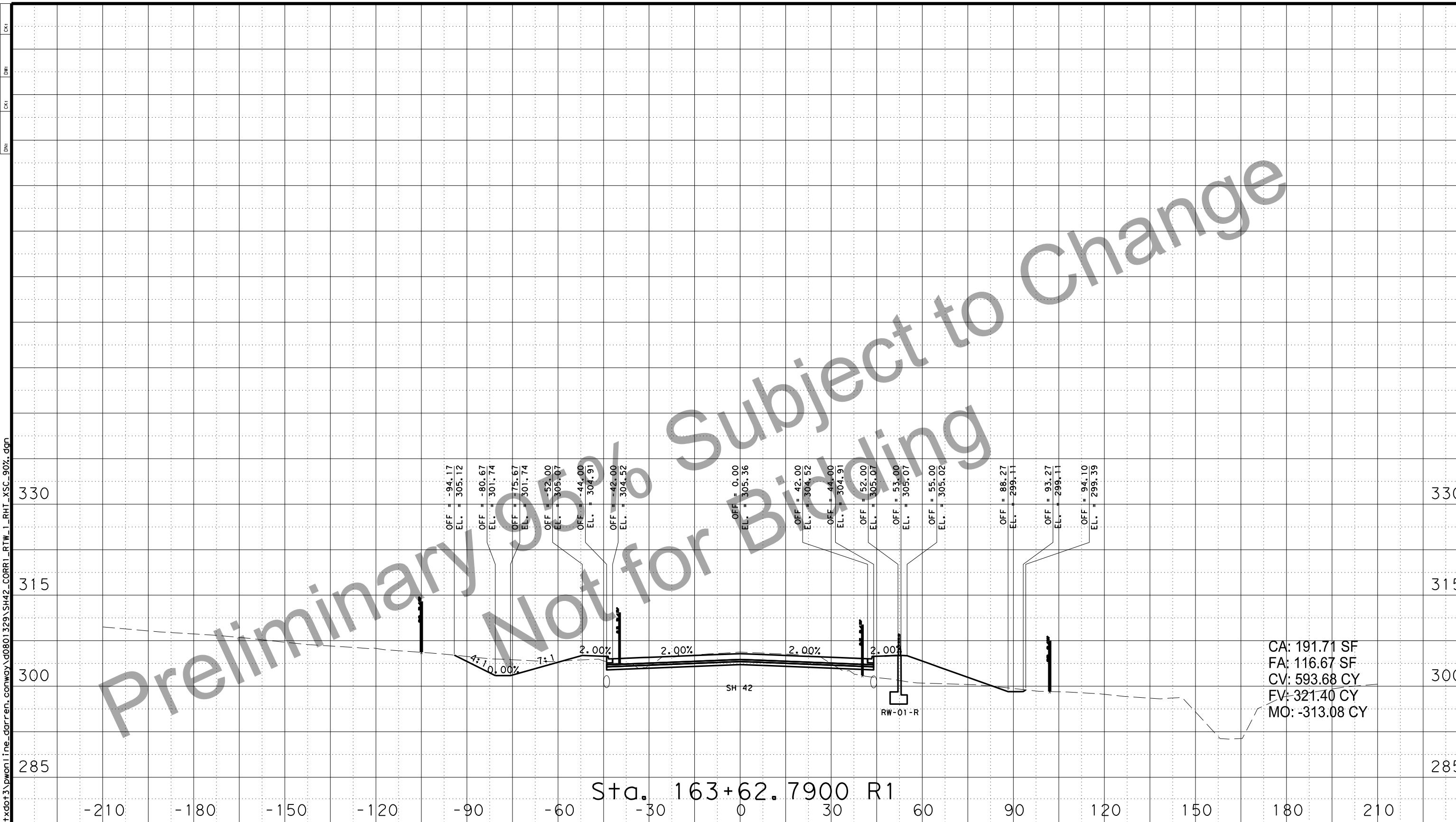
CA: 123.26 SF  
 FA: 705.38 SF  
 CV: 0.00 CY  
 FV: 0.00 CY  
 MO: 0.00 CY

SHEET 1 OF 2

© 2024

CONT	SECT	JOB	HIGHWAY
0545	04	048	SH 42
DIST	COUNTY		SHEET NO.
TYL	GREGG		1

DATE: 5/15/2024 11:02:07 AM  
 FILE: c:\txdot\pw\_online\pwnonline.darren.conway\0801329\SH42\_CORR1\_RTW\_1\_RHT\_XSC\_90%.dgn



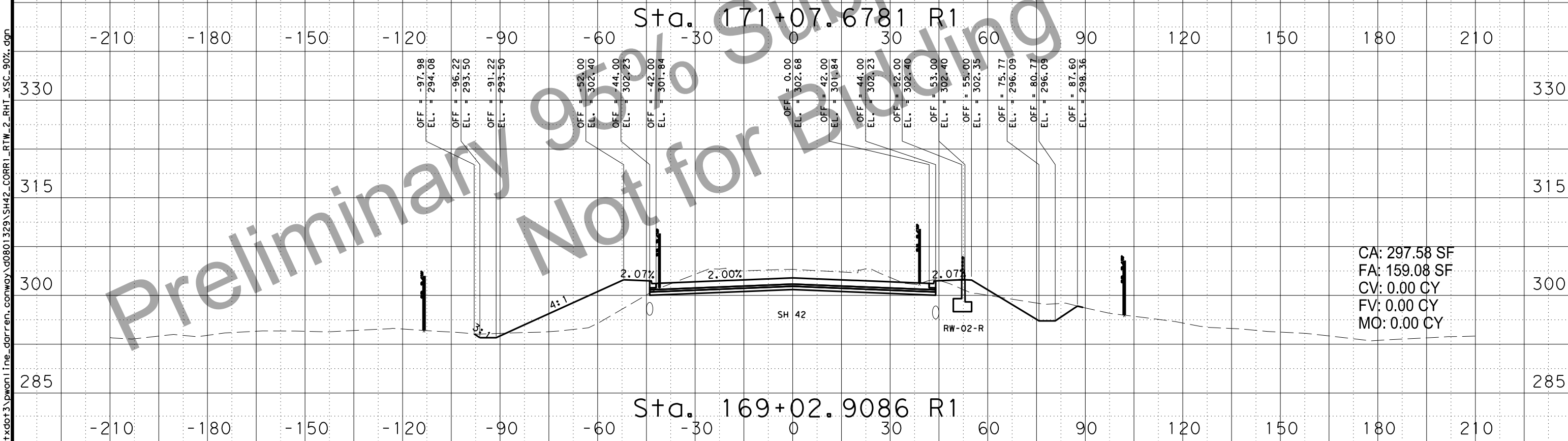
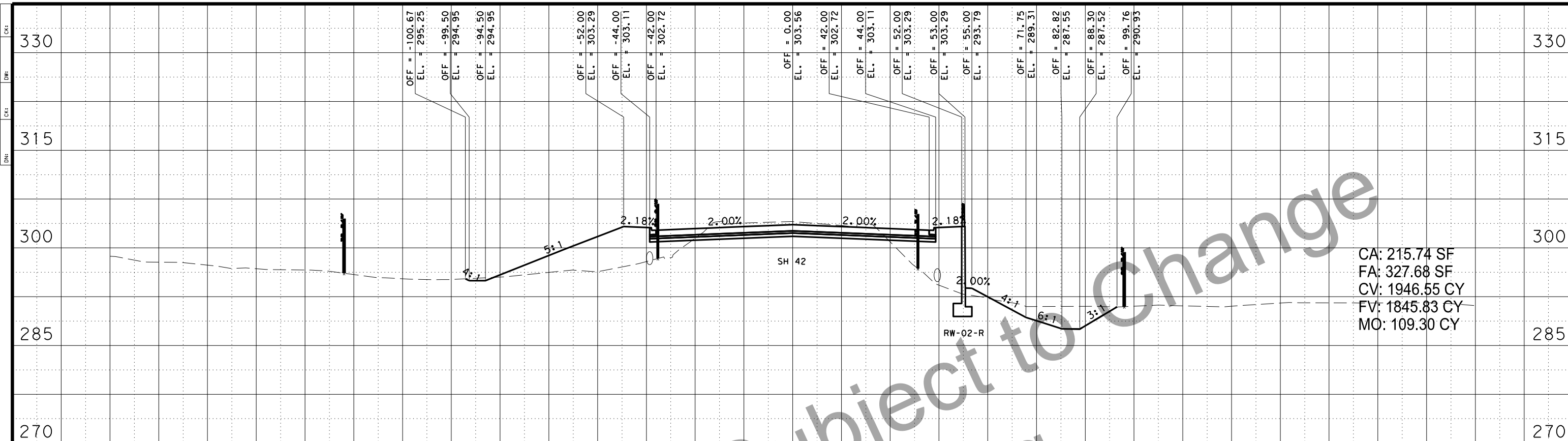
Sta. 163+62.7900 R1

CA: 191.71 SF  
 FA: 116.67 SF  
 CV: 593.68 CY  
 FV: 321.40 CY  
 MO: -313.08 CY

SHEET 2 OF 2



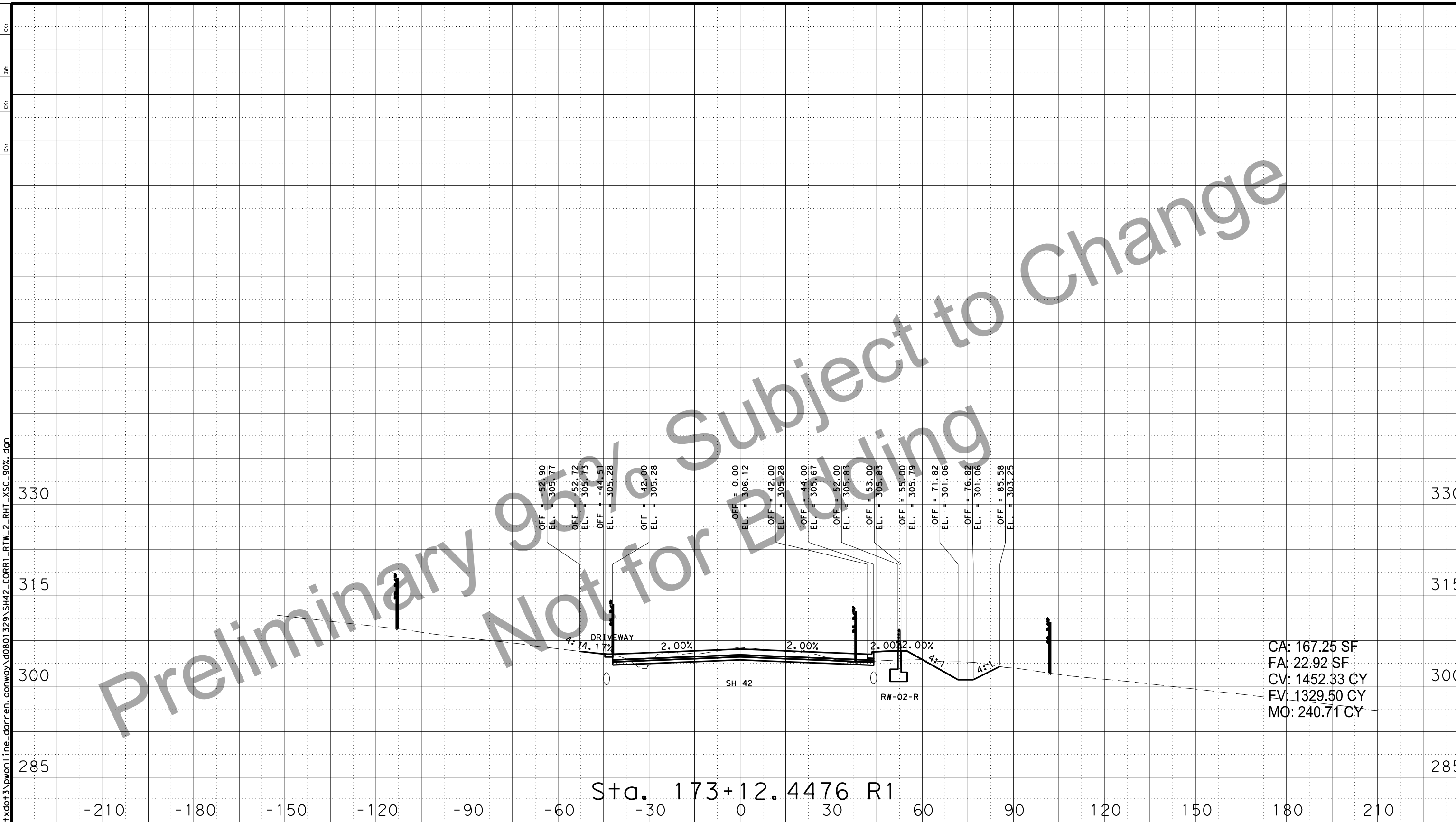
CONT	SECT	JOB	HIGHWAY
0545	04	048	SH 42
DIST	COUNTY	SHEET NO.	
TYL	GREGG	2	



Texas Department of Transportation

CONT	SECT	JOB	HIGHWAY
0545	04	048	SH 42
DIST	COUNTY		SHEET NO.
TYL	GREGG		1

DATE: 5/15/2024 11:02:17 AM  
 FILE: c:\txdot\pw\_online\darren.conway\0801329\SH42\_CORR1\_RTW\_2\_RHT\_XSC\_90%.dgn



Sta. 173+12.4476 R1

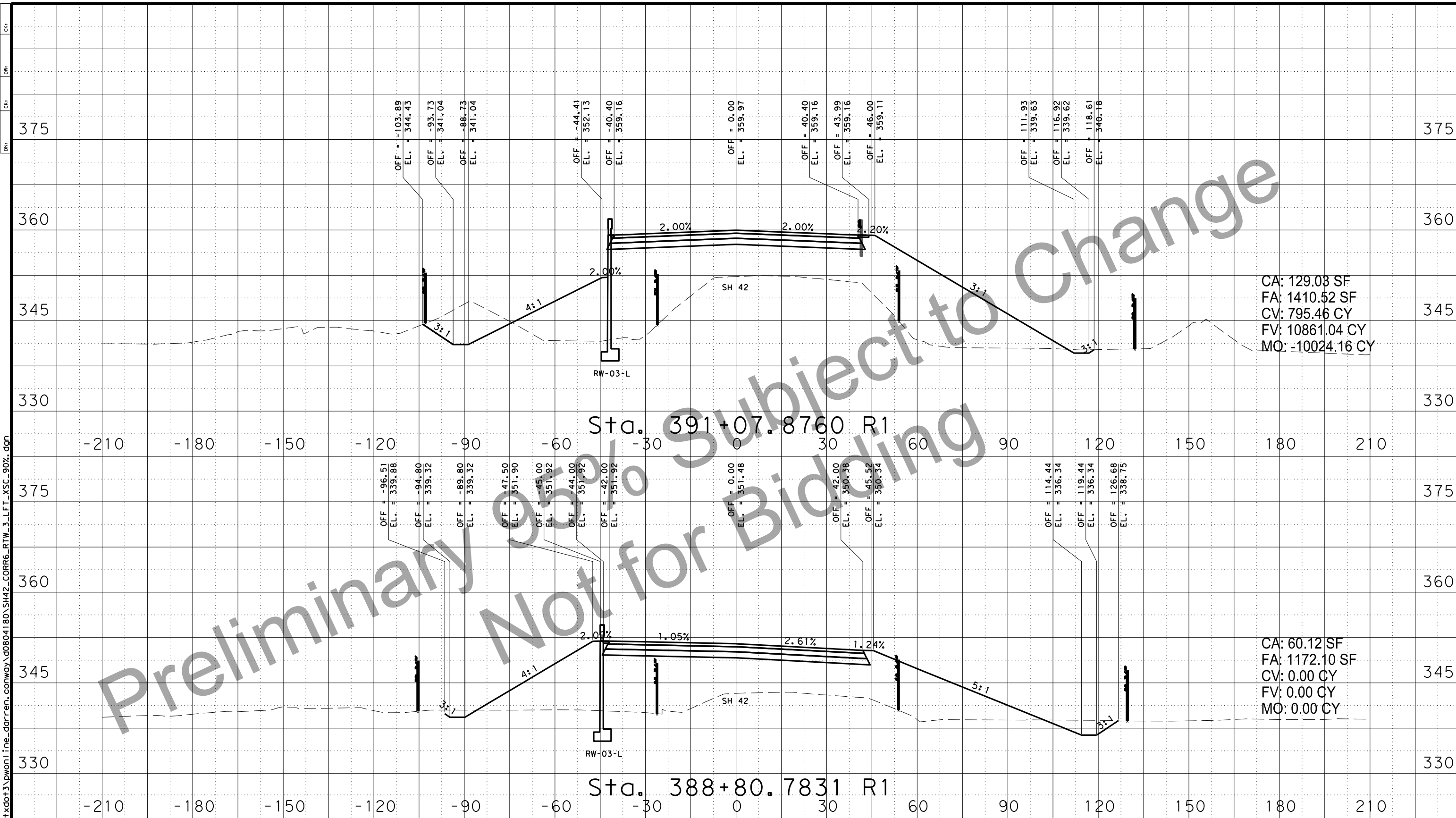
CA: 167.25 SF  
 FA: 22.92 SF  
 CV: 1452.33 CY  
 FV: 1329.50 CY  
 MO: 240.71 CY

SHEET 2 OF 2



CONT	SECT	JOB	HIGHWAY
0545	04	048	SH 42
DIST	COUNTY		SHEET NO.
TYL	GREGG		2

DATE: 5/15/2024 11:02:30 AM  
 FILE: c:\txdot\pw\_online\online\txdot3\pwnonline.darren.conway\0804180\SH42\_CORR6\_RTW\_3\_LFT\_XSC\_90%.dgn



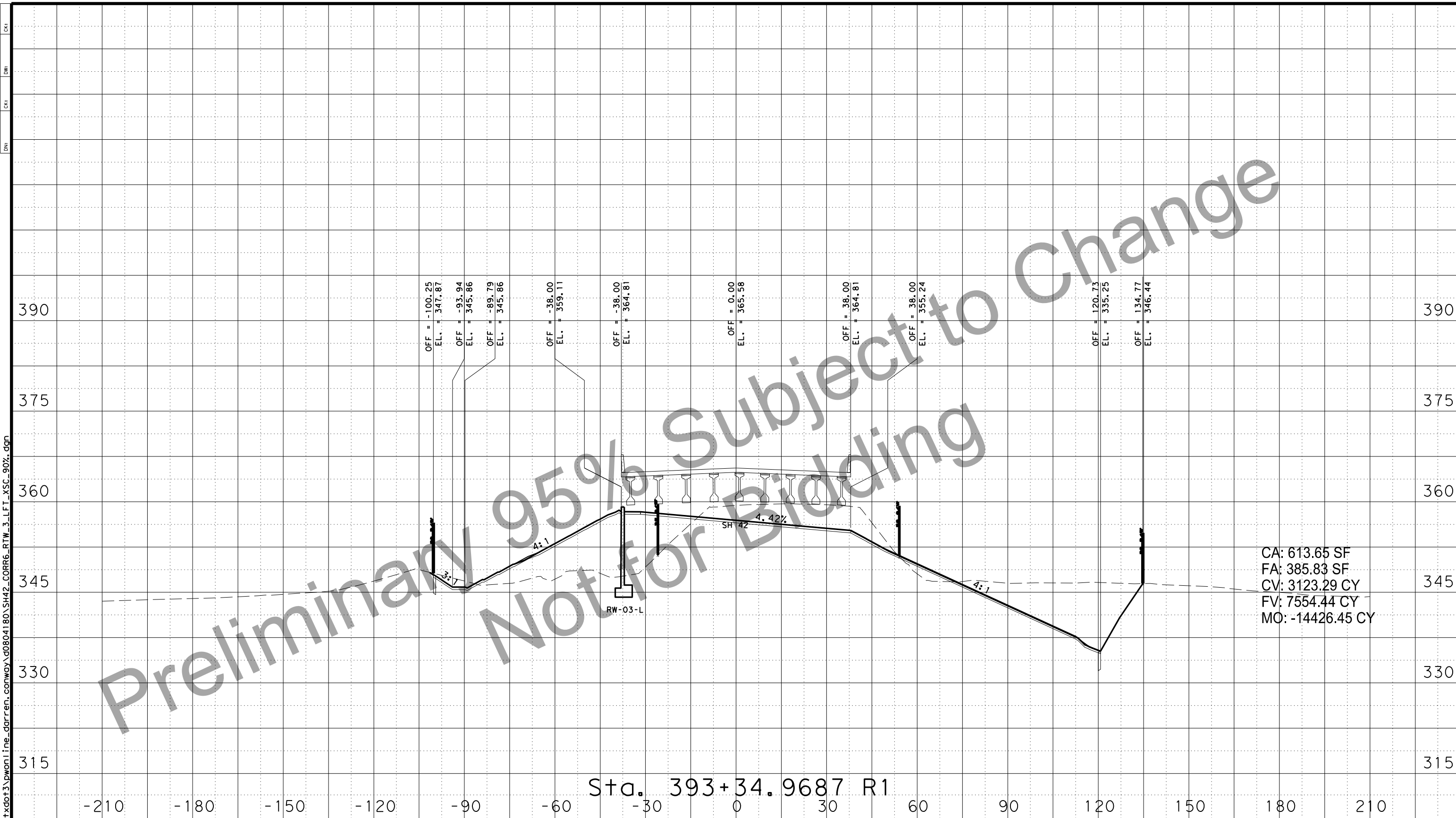
CA: 129.03 SF  
 FA: 1410.52 SF  
 CV: 795.46 CY  
 FV: 10861.04 CY  
 MO: -10024.16 CY

CA: 60.12 SF  
 FA: 1172.10 SF  
 CV: 0.00 CY  
 FV: 0.00 CY  
 MO: 0.00 CY

© 2024

CONT	SECT	JOB	HIGHWAY
0545	04	048	SH 42
DIST	COUNTY		SHEET NO.
TYL	GREGG		1

DATE: 5/15/2024 11:02:30 AM  
 FILE: c:\txdot\pw\_online\txdot3\pwnonline.darren.conway\0804180\SH42\_CORR6\_RTW\_3\_LFT\_XSC\_90%.dgn



Sta. 393+34.9687 R1

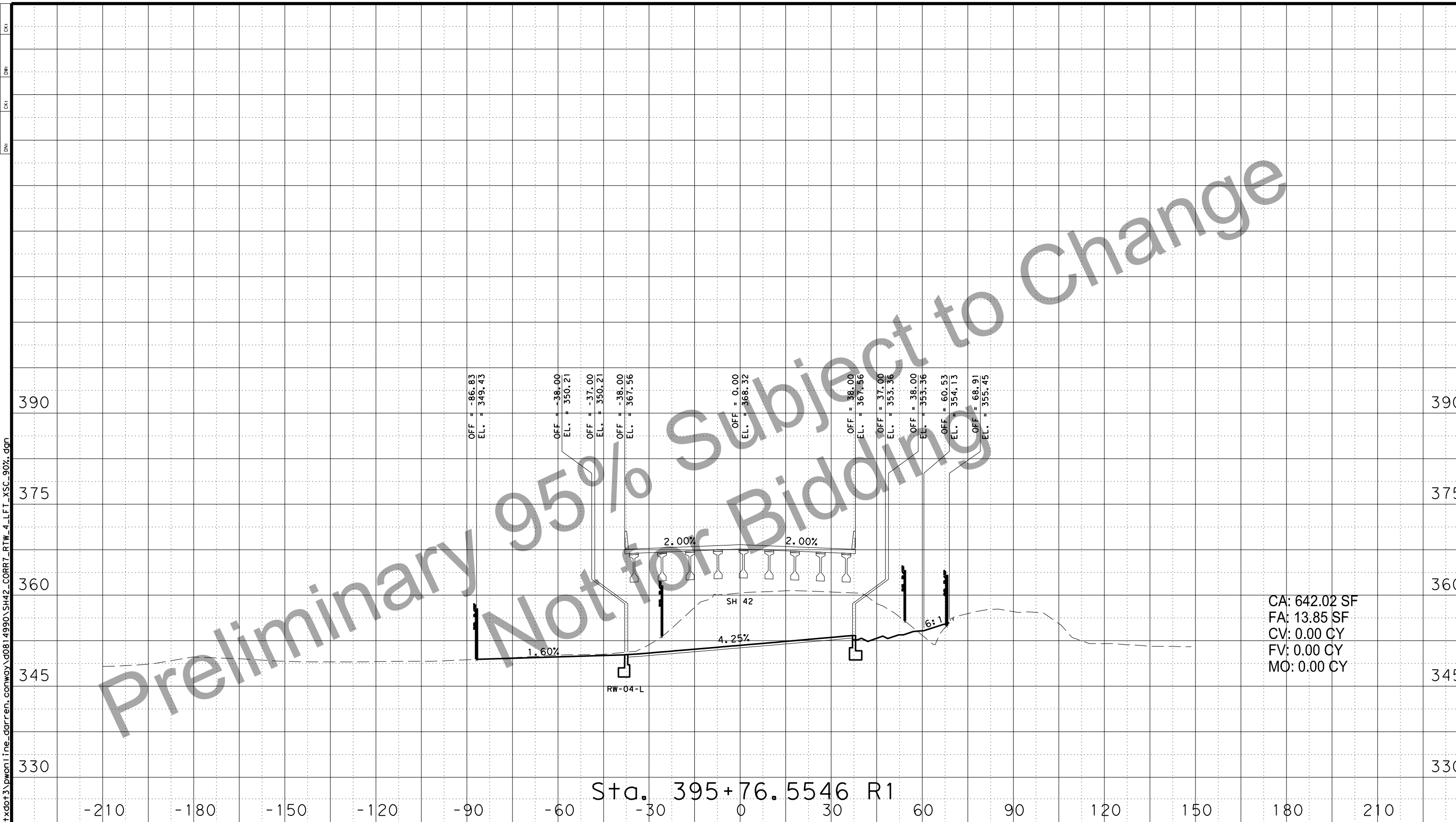
CA: 613.65 SF  
 FA: 385.83 SF  
 CV: 3123.29 CY  
 FV: 7554.44 CY  
 MO: -14426.45 CY

SHEET 2 OF 2



CONT	SECT	JOB	HIGHWAY
0545	04	048	SH 42
DIST	COUNTY		SHEET NO.
TYL	GREGG		2

DATE: 5/15/2024 11:02:42 AM  
 FILE: c:\txdot\pw\_online\txdot3\pwnonline.darren.conway\0814990\SH42\_CORR7\_RTW\_4\_LFT\_XSC\_90%.dgn

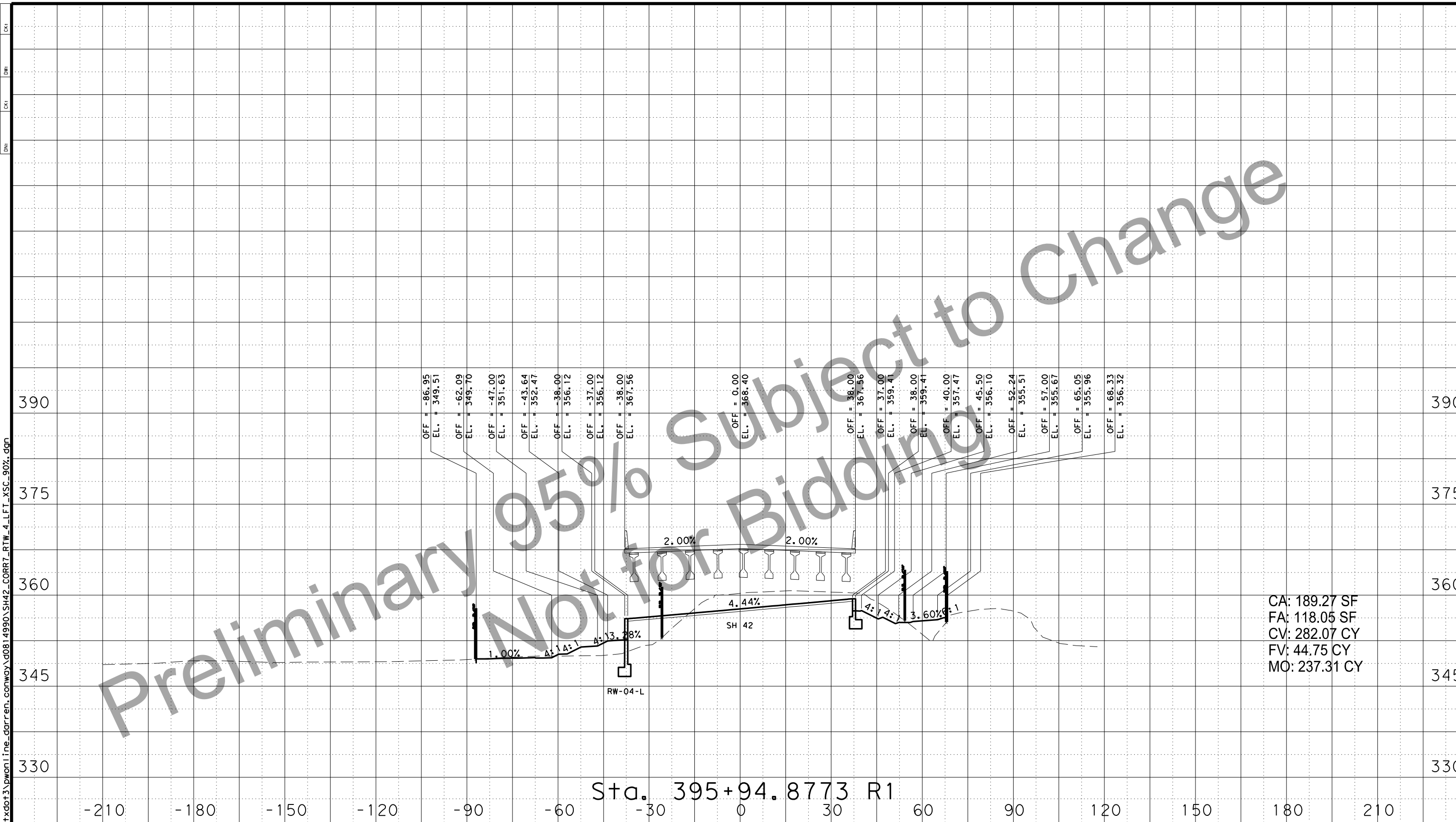


CA: 642.02 SF  
 FA: 13.85 SF  
 CV: 0.00 CY  
 FV: 0.00 CY  
 MO: 0.00 CY

Texas Department of Transportation

CONT	SECT	JOB	HIGHWAY
0545	04	048	SH 42
DIST	COUNTY		SHEET NO.
TYL	GREGG		1

DATE: 5/15/2024 11:02:43 AM  
 FILE: c:\txdot\pw\_online\txdot3\pwnonline\_darren.conway\0814990\SH42\_CORR7\_RTW\_4\_LFT\_XSC\_90%.dgn



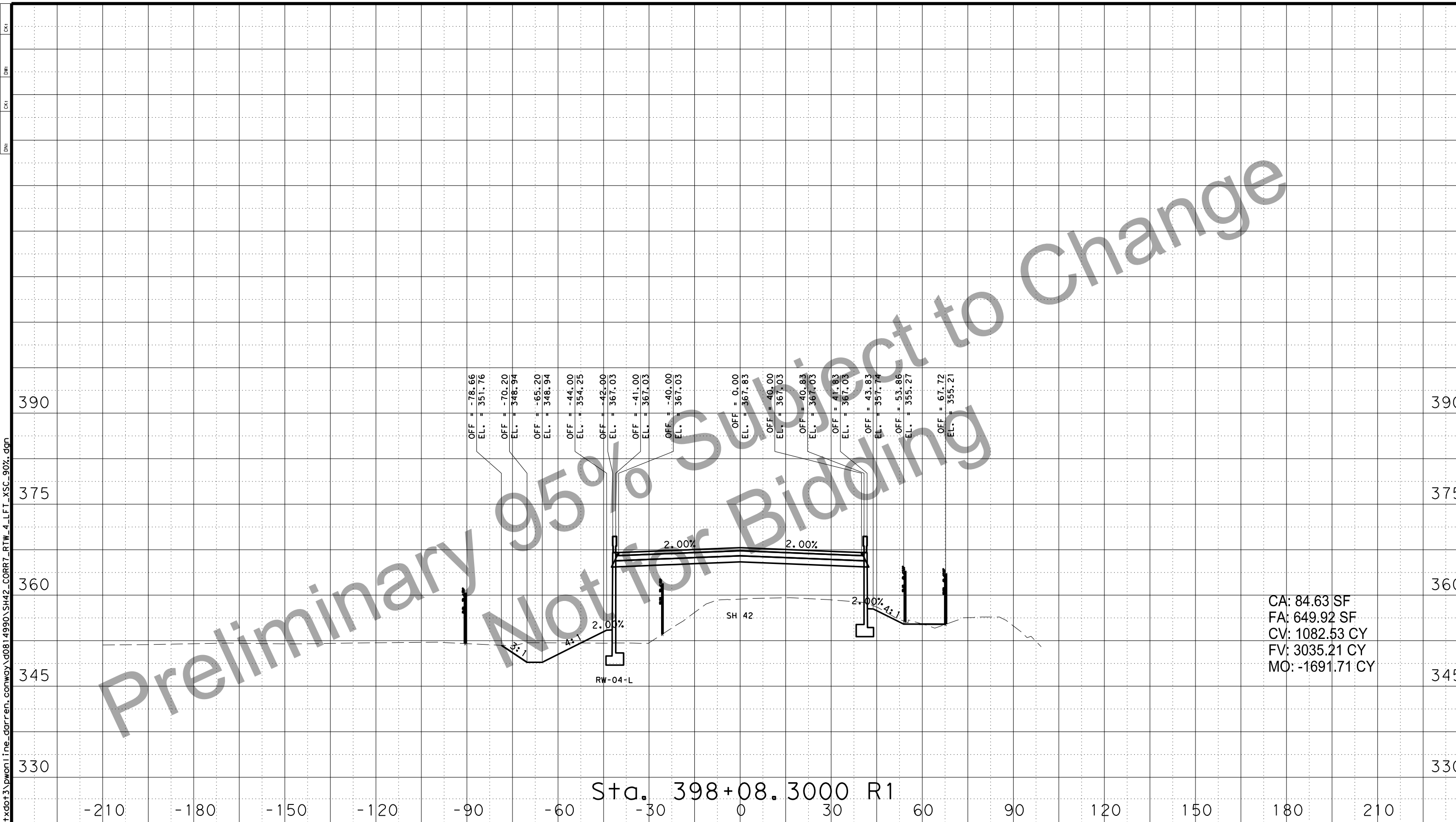
CA: 189.27 SF  
 FA: 118.05 SF  
 CV: 282.07 CY  
 FV: 44.75 CY  
 MO: 237.31 CY

Sta. 395+94.8773 R1



CONT	SECT	JOB	HIGHWAY
0545	04	048	SH 42
DIST	COUNTY		SHEET NO.
TYL	GREGG		2

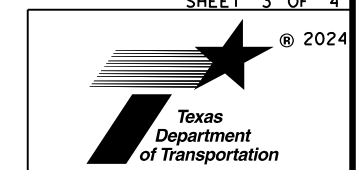
DATE: 5/15/2024 11:02:43 AM  
 FILE: c:\txdot\pw\_online\txdot3\pwnline\_darren.conway\0814990\SH42\_CORR7\_RTW\_4\_LFT\_XSC\_90%.dgn



Preliminary 95% Subject to Change  
 Not for Bidding

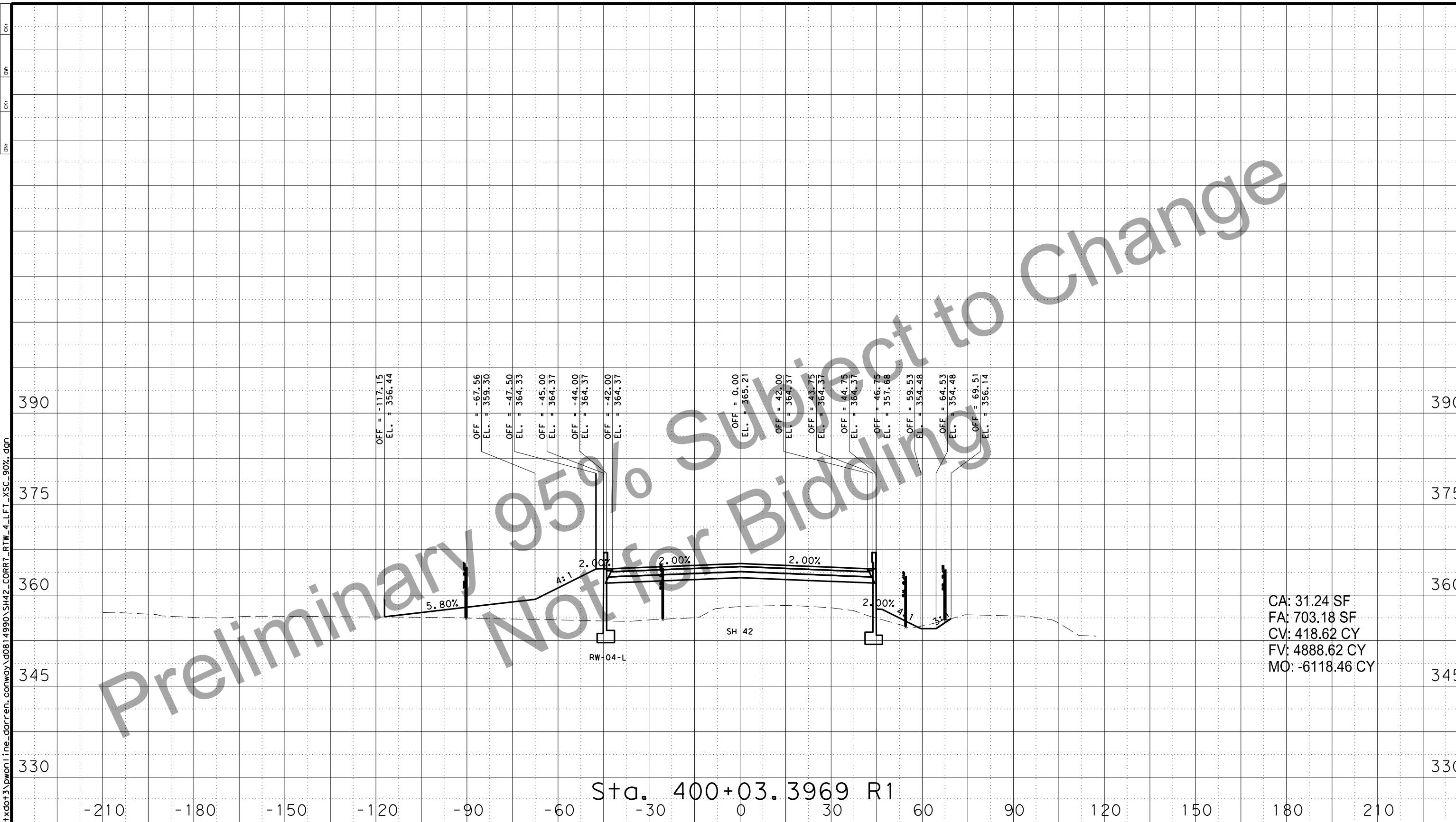
CA: 84.63 SF  
 FA: 649.92 SF  
 CV: 1082.53 CY  
 FV: 3035.21 CY  
 MO: -1691.71 CY

Sta. 398+08.3000 R1



CONT	SECT	JOB	HIGHWAY
0545	04	048	SH 42
DIST	COUNTY	SHEET NO.	
TYL	GREGG	3	

DATE: 5/15/2024 11:02:43 AM  
 FILE: c:\txdot\pw\_online\txdot3\pwnonline\_darren.conway\0814990\SH42\_CORR7\_RTW\_4\_LFT\_XSC\_90%.dgn



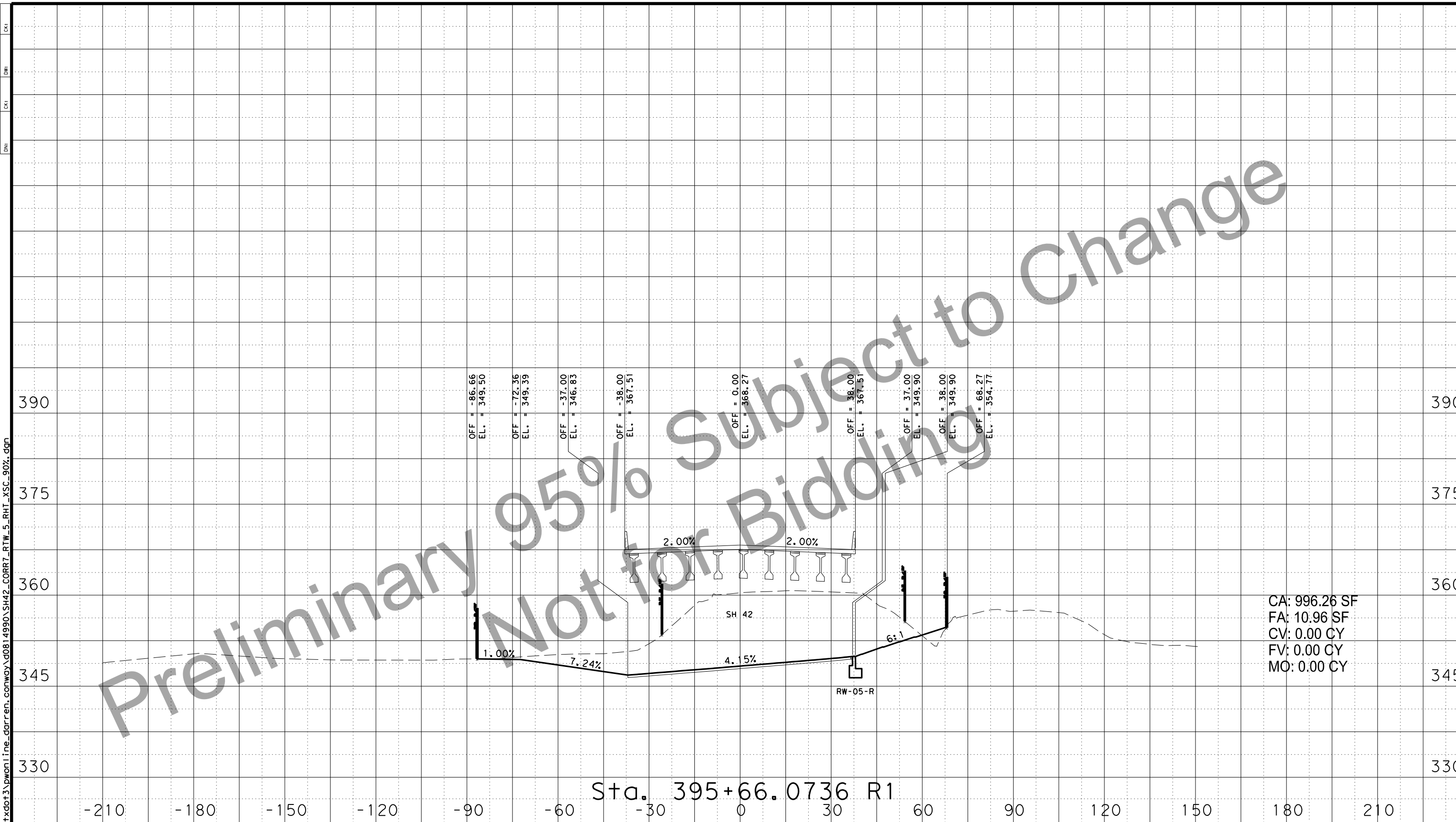
Preliminary 95% Subject to Change  
 Not for Bidding

CA: 31.24 SF  
 FA: 703.18 SF  
 CV: 418.62 CY  
 FV: 4888.62 CY  
 MO: -6118.46 CY

Sta. 400+03.3969 R1

CONT	SECT	JOB	HIGHWAY
0545	04	048	SH 42
DIST	COUNTY		SHEET NO.
TYL	GREGG		4

DATE: 5/15/2024 11:02:47 AM  
FILE: c:\txdot\pw\_online\txdot3\pwnonline\_darren.conway\0814990\SH42\_CORR7\_RTW\_5\_RHT\_XSC\_90%.dgn



CA: 996.26 SF  
FA: 10.96 SF  
CV: 0.00 CY  
FV: 0.00 CY  
MO: 0.00 CY

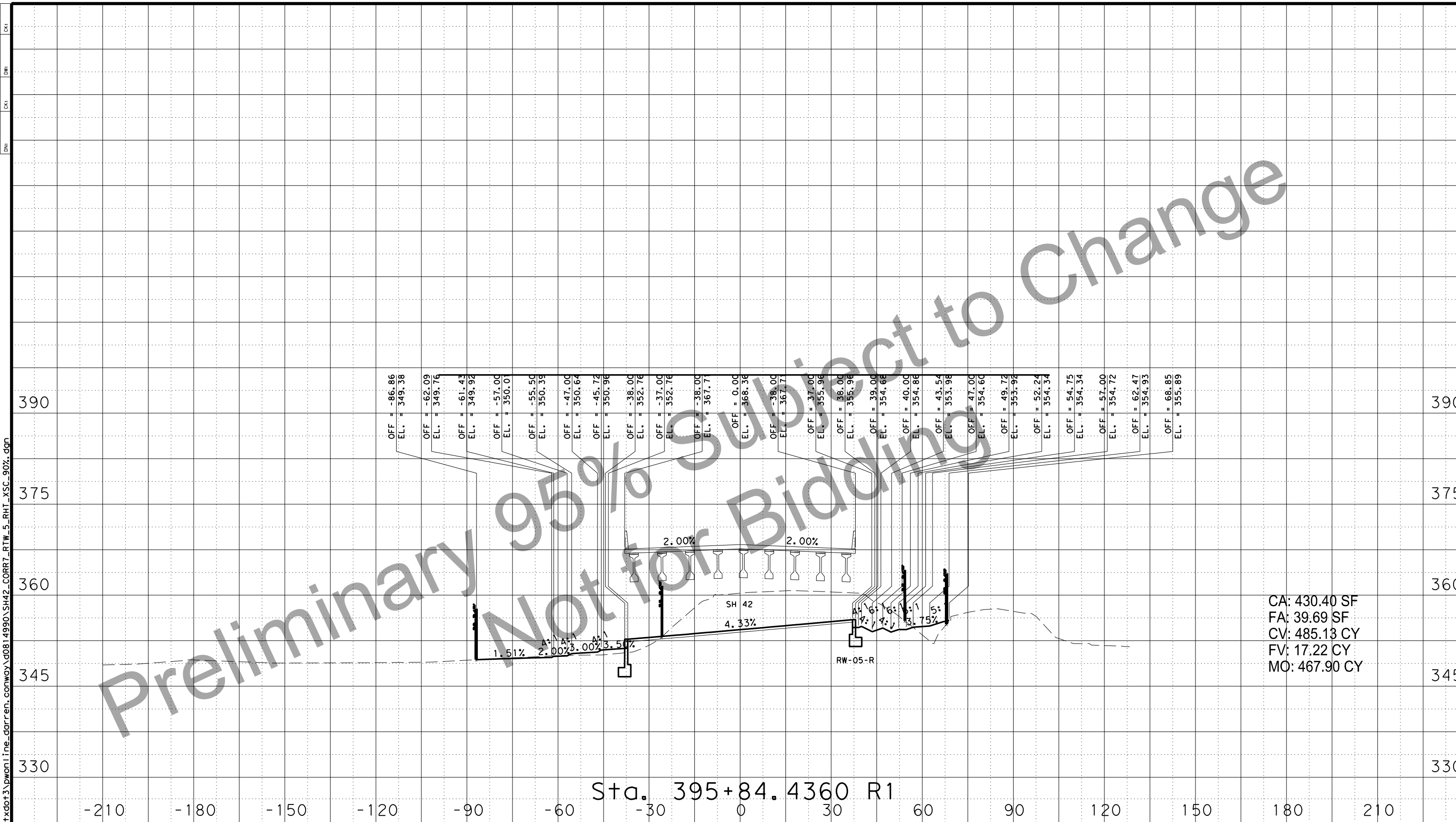
Sta. 395+66.0736 R1

SHEET 1 OF 5

© 2024

CONT	SECT	JOB	HIGHWAY
0545	04	048	SH 42
DIST	COUNTY	SHEET NO.	
TYL	GREGG	1	

DATE: 5/15/2024 11:02:47 AM  
 FILE: c:\txdot\pw\_online\txdot3\pwnonline\_darren.conway\0814990\SH42\_CORR7\_RTW\_5\_RHT\_XSC\_90%.dgn



CA: 430.40 SF  
 FA: 39.69 SF  
 CV: 485.13 CY  
 FV: 17.22 CY  
 MO: 467.90 CY

Sta. 395+84.4360 R1

CONT	SECT	JOB	HIGHWAY
0545	04	048	SH 42
DIST	COUNTY		SHEET NO.
TYL	GREGG		2

DATE: 5/15/2024 11:02:47 AM  
FILE: c:\txdot\pw\_online\txdot3\pwnonline.darren.conway\0814990\SH42\_CORR7\_RTW\_5\_RHT\_XSC\_90%.dgn



Sta. 396+02.7983 R1

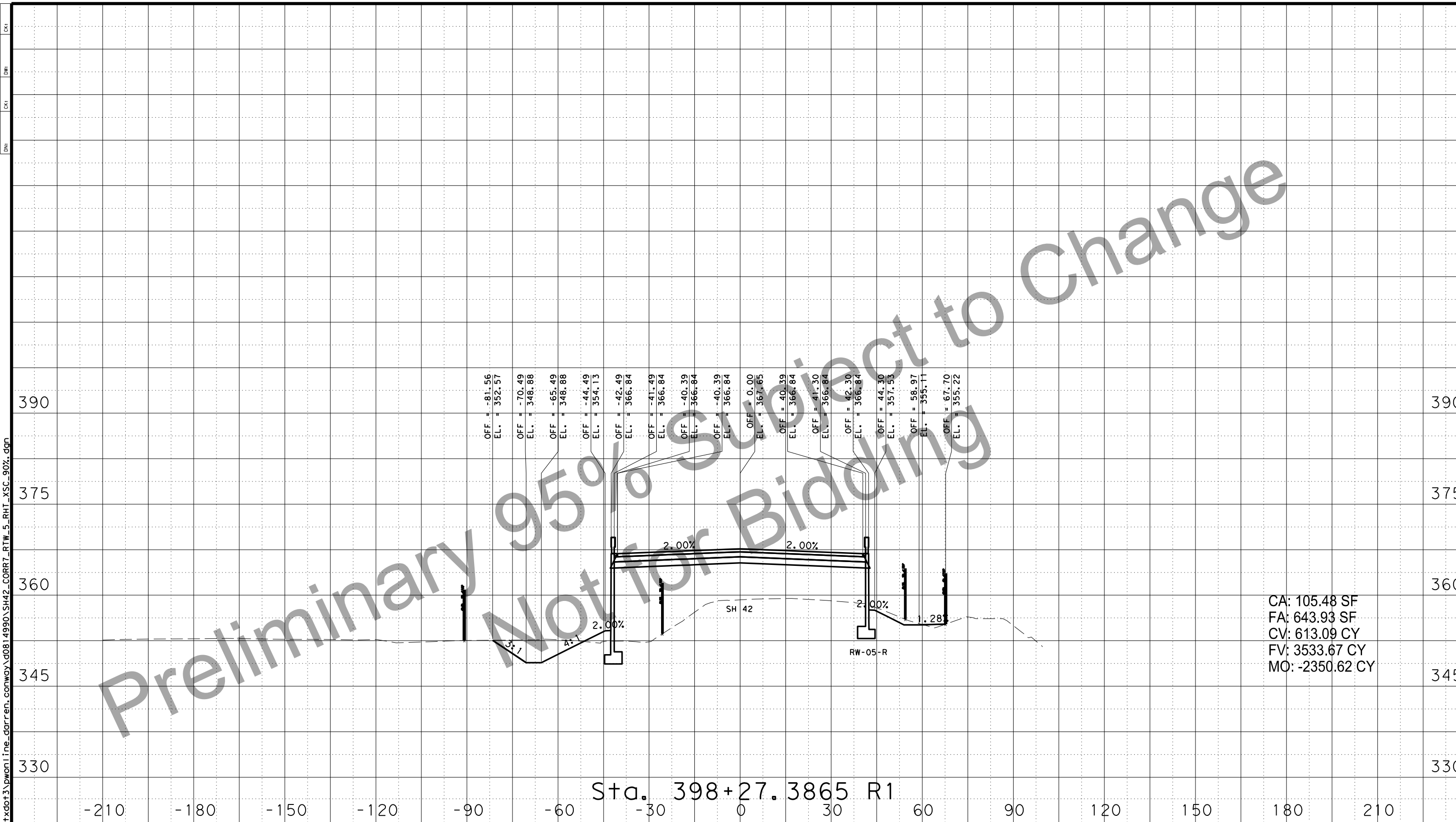
CA: 41.93 SF  
FA: 205.71 SF  
CV: 160.61 CY  
FV: 83.45 CY  
MO: 545.07 CY

SHEET 3 OF 5



CONT	SECT	JOB	HIGHWAY
0545	04	048	SH 42
DIST	COUNTY	SHEET NO.	
TYL	GREGG	3	

DATE: 5/15/2024 11:02:48 AM  
 FILE: c:\txdot\pw\_online\txdot3\pwnonline\_darren.conway\0814990\SH42\_CORR7\_RTW\_5\_RHT\_XSC\_90%.dgn



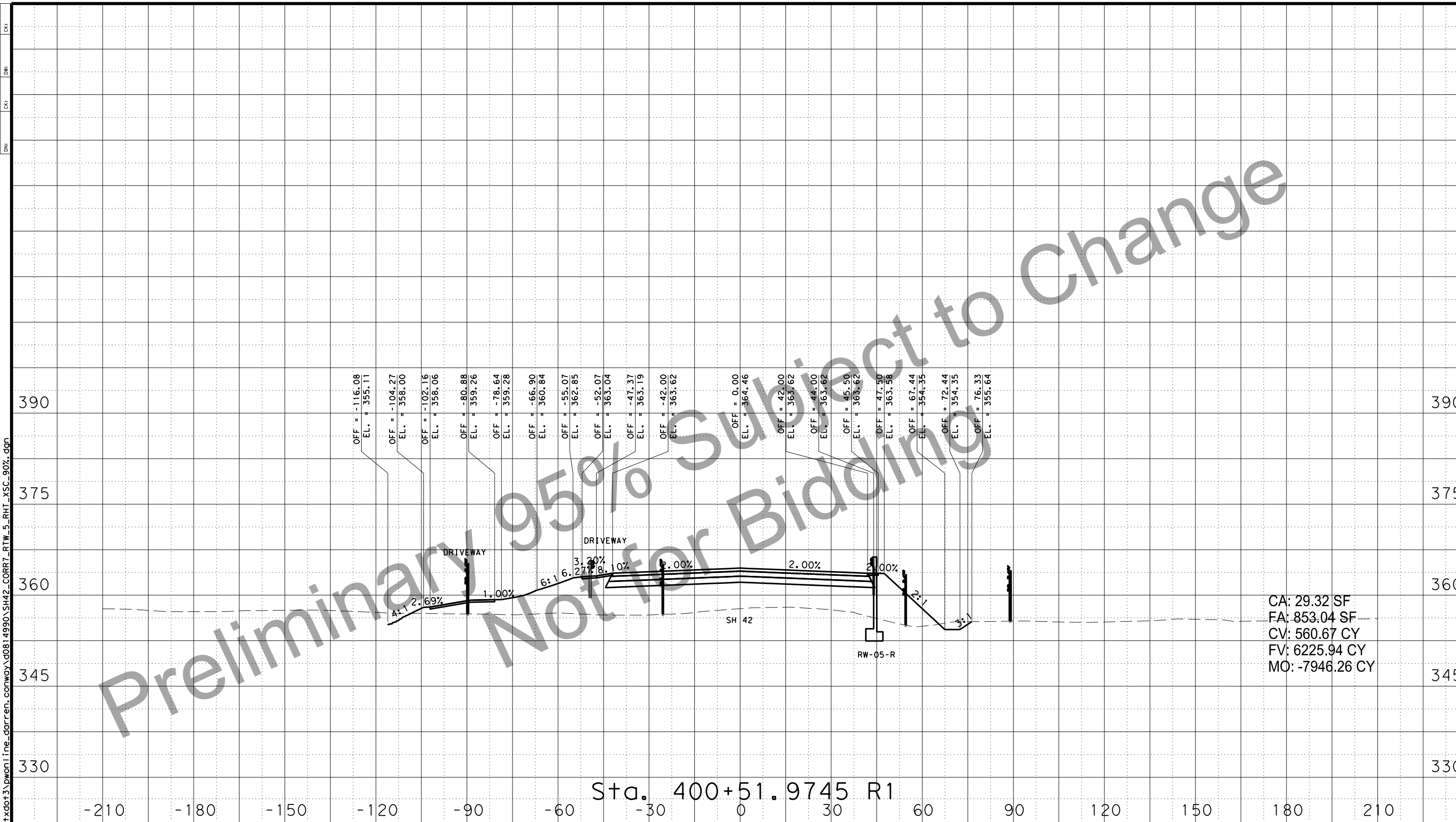
Preliminary 95% Subject to Change  
 Not for Bidding

CA: 105.48 SF  
 FA: 643.93 SF  
 CV: 613.09 CY  
 FV: 3533.67 CY  
 MO: -2350.62 CY

Sta. 398+27.3865 R1

CONT	SECT	JOB	HIGHWAY
0545	04	048	SH 42
DIST	COUNTY		SHEET NO.
TYL	GREGG		4

DATE: 5/15/2024 11:02:48 AM  
 FILE: c:\txdot\pw\_online\txdot3\pwnonline\_darren.conway\0814990\SH42\_CORR7\_RTW\_5\_RHT\_XSC\_90%.dgn

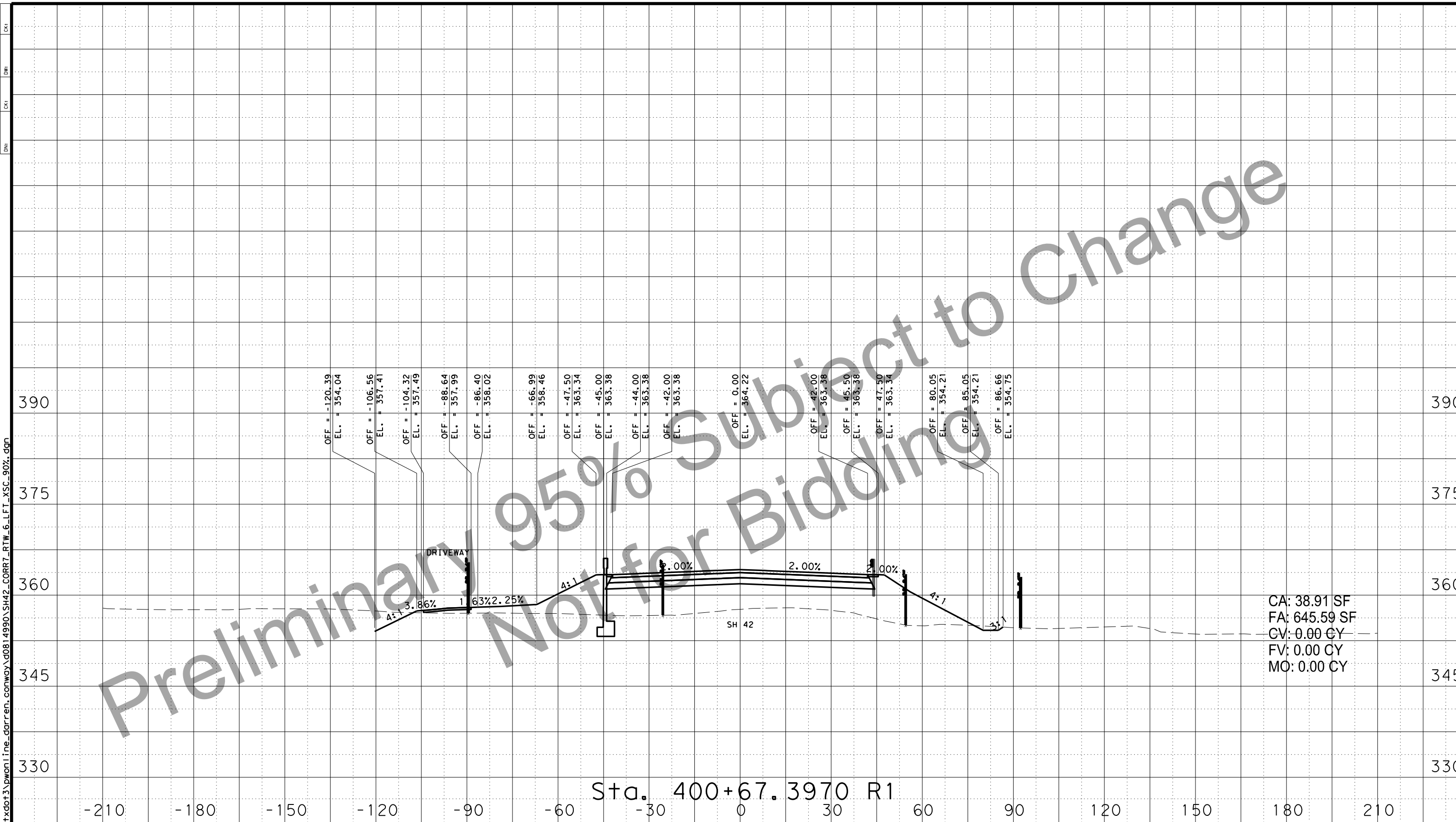


CA: 29.32 SF  
 FA: 853.04 SF  
 CV: 560.67 CY  
 FV: 6225.94 CY  
 MO: -7946.26 CY

Texas Department of Transportation

CONT	SECT	JOB	HIGHWAY
0545	04	048	SH 42
DIST	COUNTY		SHEET NO.
TYL	GREGG		5

DATE: 5/15/2024 11:02:51 AM  
 FILE: c:\txdot\pw\_online\txdot3\pwnonline\_darren.conway\0814990\SH42\_CORR7\_RTW\_6\_LFT\_XSC\_90%.dgn



Sta. 400+67.3970 R1

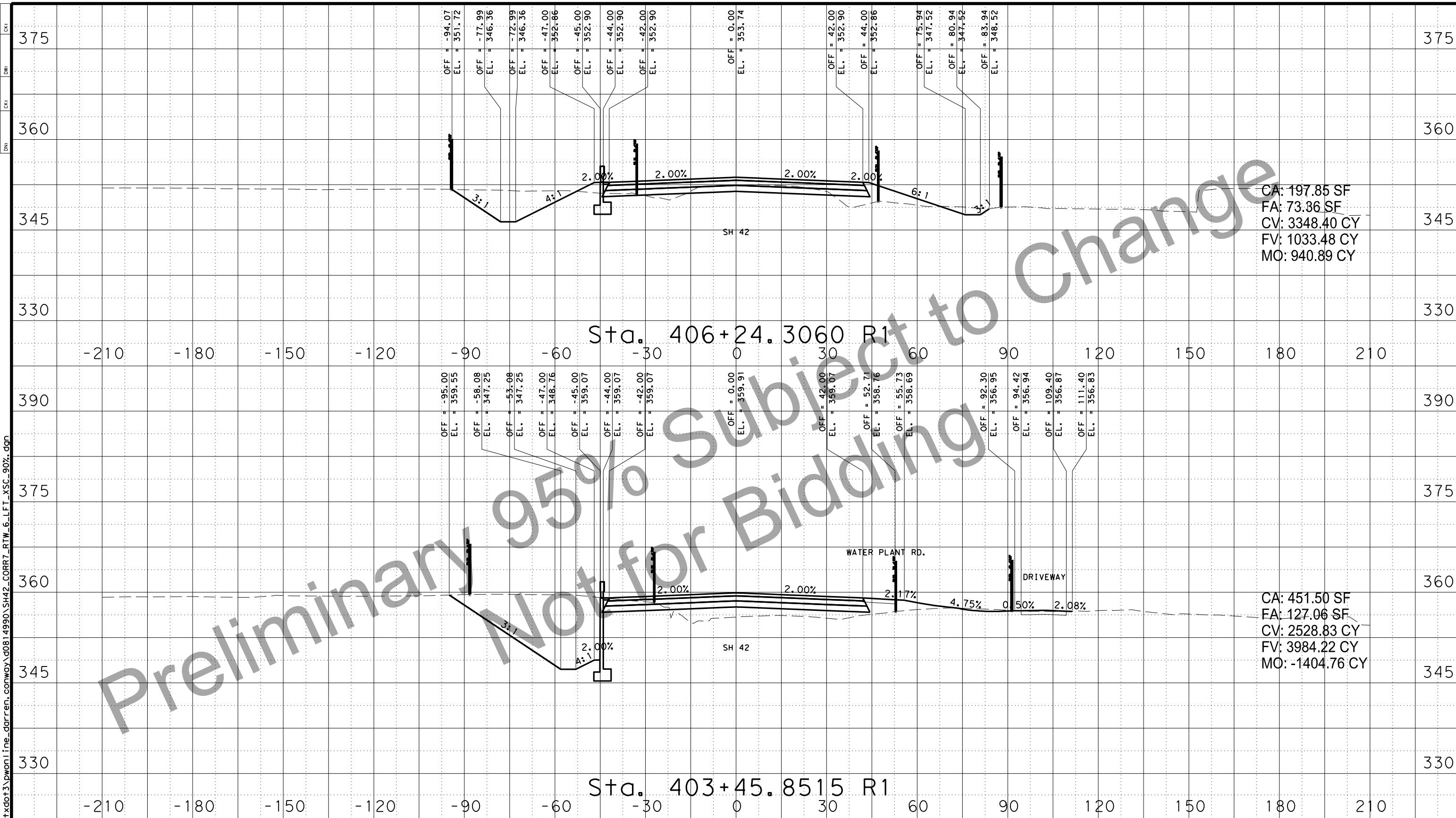
CA: 38.91 SF  
 FA: 645.59 SF  
 CV: 0.00 CY  
 FV: 0.00 CY  
 MO: 0.00 CY

SHEET 1 OF 2



CONT	SECT	JOB	HIGHWAY
0545	04	048	SH 42
DIST	COUNTY		SHEET NO.
TYL	GREGG		1

DATE: 5/15/2024 11:02:52 AM  
 FILE: c:\txdot\pw\_online\txdot3\pwnonline.darren.conway\0814990\SH42\_CORR7\_RTW\_6\_LFT\_XSC\_90%.dgn



CA: 197.85 SF  
 FA: 73.36 SF  
 CV: 3348.40 CY  
 FV: 1033.48 CY  
 MO: 940.89 CY

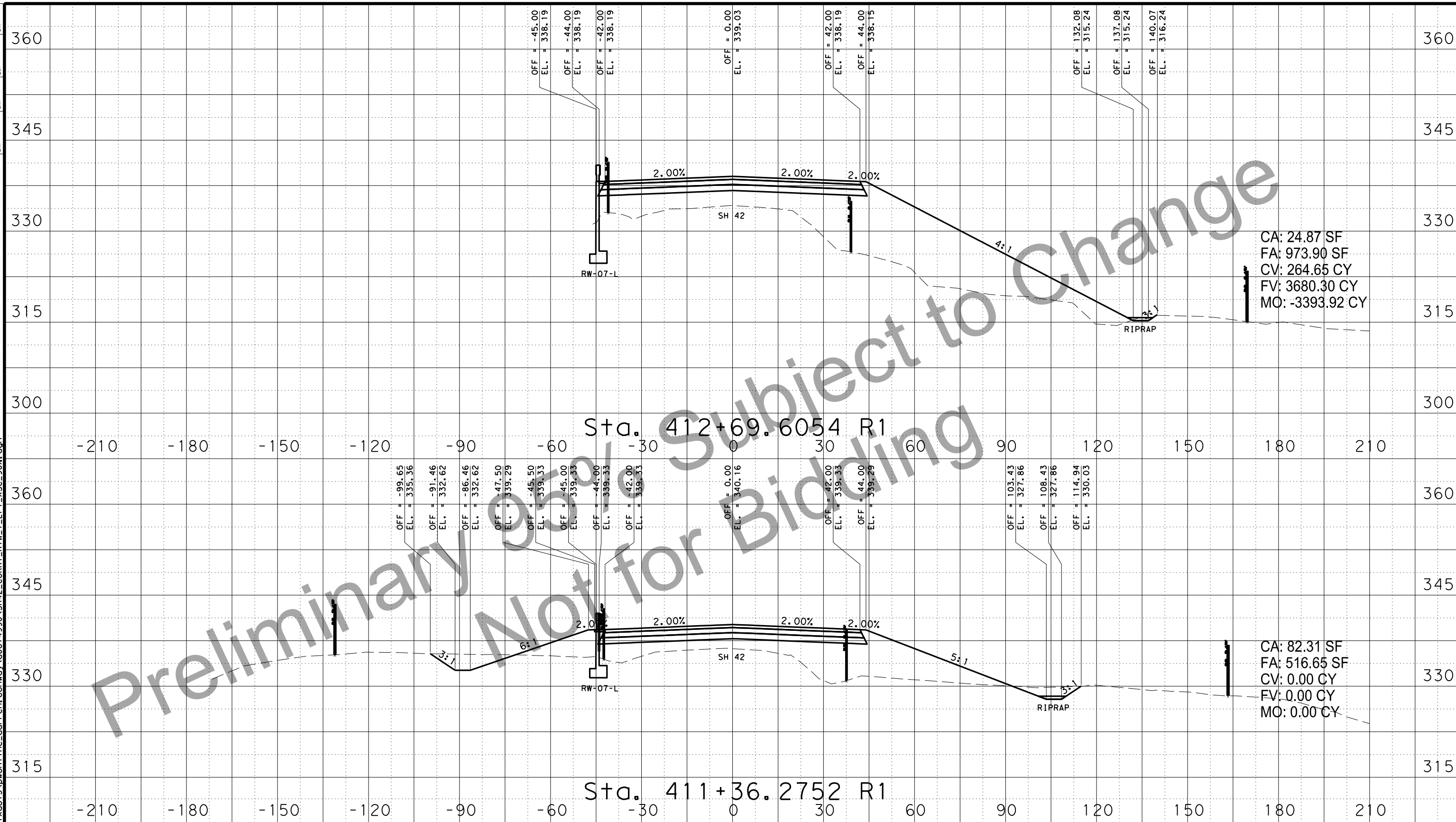
CA: 451.50 SF  
 FA: 127.06 SF  
 CV: 2528.83 CY  
 FV: 3984.22 CY  
 MO: -1404.76 CY

SHEET 2 OF 2

© 2024

CONT	SECT	JOB	HIGHWAY
0545	04	048	SH 42
DIST	COUNTY		SHEET NO.
TYL	GREGG		2

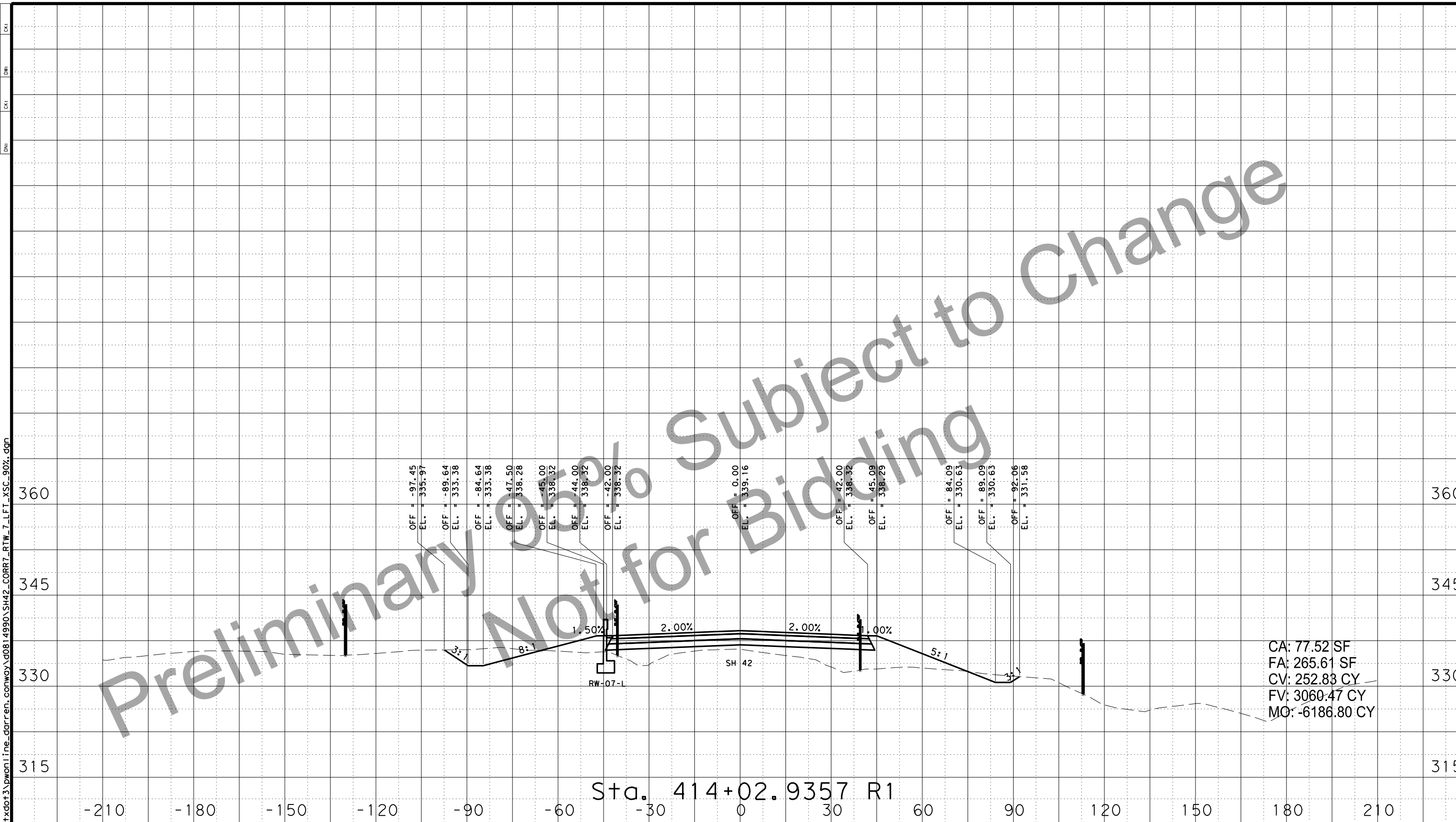
DATE: 5/15/2024 11:02:55 AM  
 FILE: c:\txdot\pw\_online\darren.conway\0814990\SH42\_CORR7\_RTW\_7\_LFT\_XSC\_90%.dgn



SHEET 1 OF 2

CONT SECT JOB HIGHWAY  
 0545 04 048 SH 42  
 DIST COUNTY SHEET NO.  
 TYL GREGG 1

DATE: 5/15/2024 11:02:56 AM  
 FILE: c:\txdot\pw\_online\online.darren.conway\0814990\SH42\_CORR7\_RTW\_7\_LFT\_XSC\_90%.dgn



Sta. 414+02.9357 R1

CA: 77.52 SF  
 FA: 265.61 SF  
 CV: 252.83 CY  
 FV: 3060.47 CY  
 MO: -6186.80 CY

SHEET 2 OF 2



CONT	SECT	JOB	HIGHWAY
0545	04	048	SH 42
DIST	COUNTY	SHEET NO.	
TYL	GREGG	2	