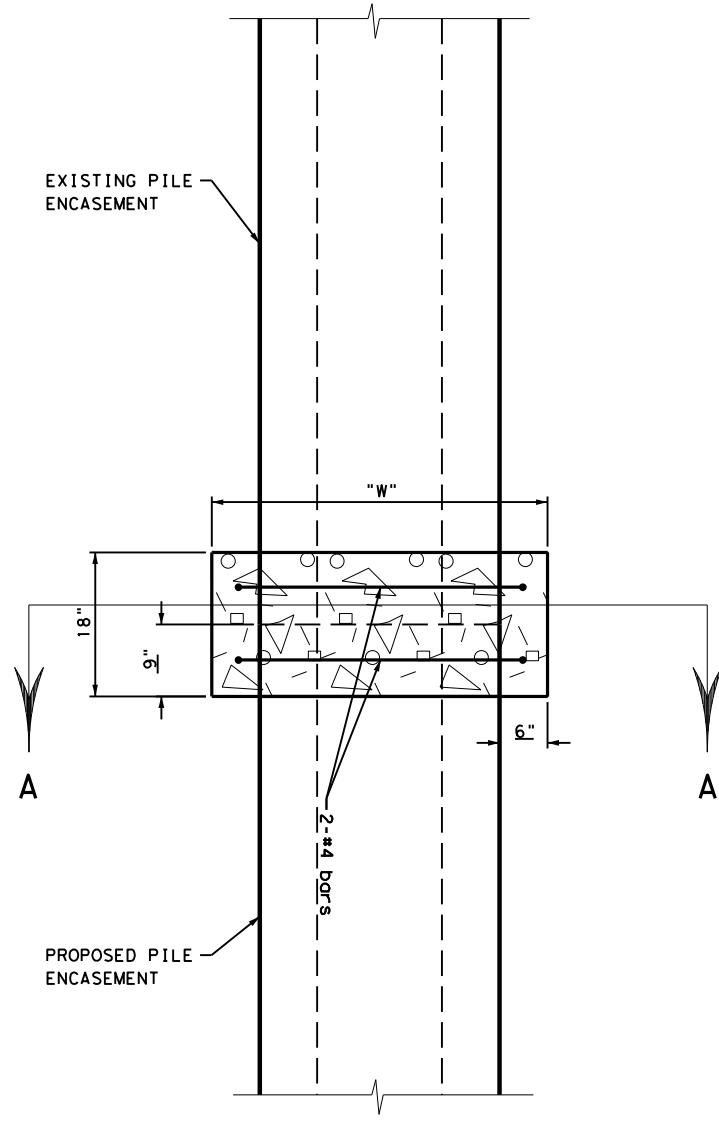
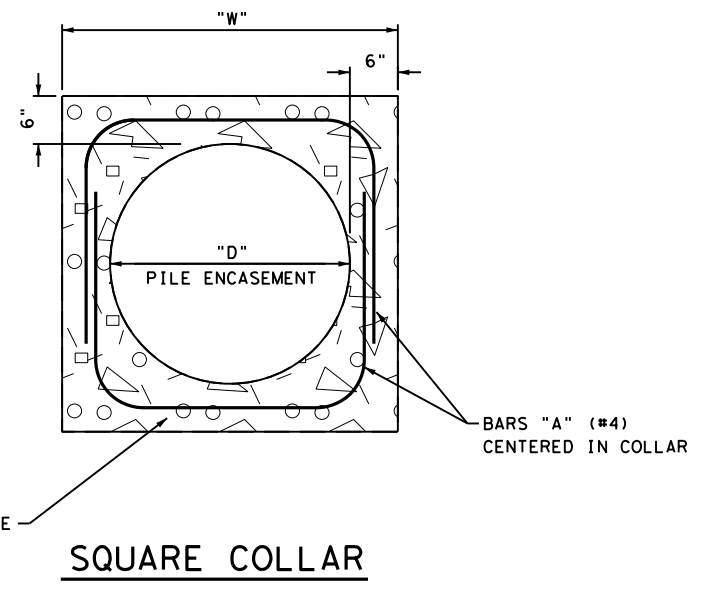


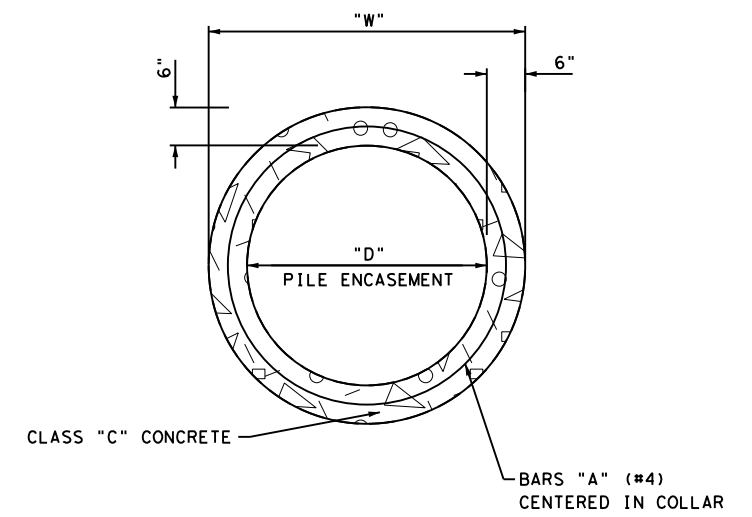
FOR CONTRACTOR INFORMATION ONLY



PLAN VIEW



SQUARE COLLAR



ROUND COLLAR

SECTION A-A

CONCRETE COLLAR DETAIL

- NOTES:
1. USE CONCRETE COLLARS ON ANY OR ALL JOINTS AND CONNECTIONS AS DIRECTED BY THE ENGINEER IN ORDER TO ENSURE A PROPER WATER TIGHT SEAL ON ALL PIPE CONNECTIONS.
 2. ALL LABOR, MATERIAL AND INCIDENTALS REQUIRED TO ACCOMPLISH THE CONSTRUCTION OF THE COLLARS WILL NOT BE PAID FOR DIRECTLY BUT WILL BE CONSIDERED SUBSIDIARY TO ITEM 420-6158 "CL C CONC (PILE ENCASEMENT)".
 3. REINFORCEMENT BARS MAY BE MECHANICALLY FIELD BENT. USE MINIMUM LAP REQUIRED IN ITEM 440, TABLE 6.

DATE: \$DATE\$ \$TIME\$
FILE: \$FILE\$