

DISCLAIMER: The use of this standard is governed by the "Texas Engineering Practice Act". No warranty of any kind is made by TxDOT for any purpose whatsoever. TxDOT assumes no responsibility for the conversion of this standard to other formats or for incorrect results or damages resulting from its use.

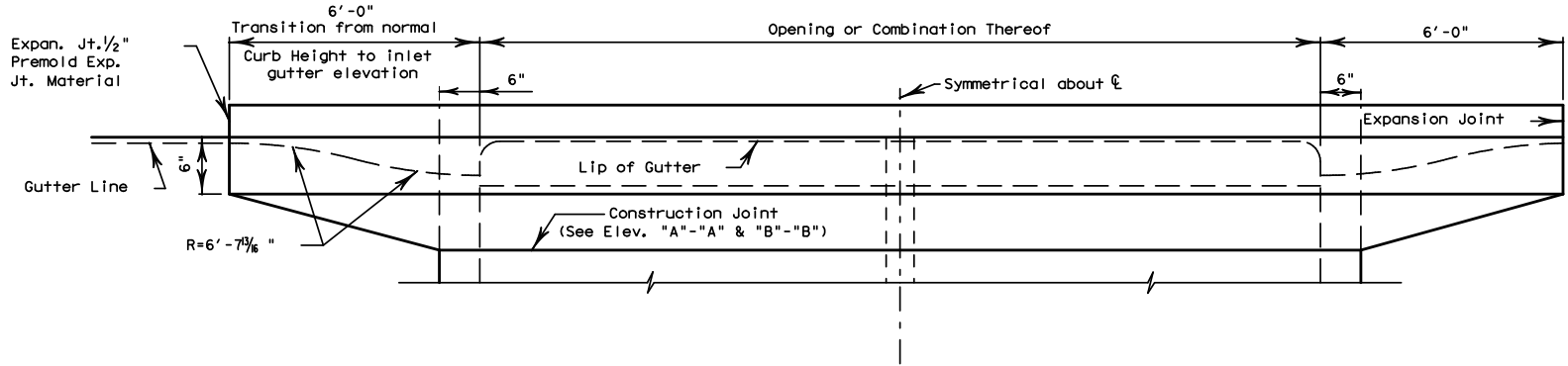
LEVELS DISPLAYED
1
2
3
4
5
6
7
8
9
10
11
12
13
14
15
16
17
18
19
20

BILL OF REINFORCING STEEL

Depth "D"	Opening Length "L"=5ft.						Opening Length "L"=10ft.						Opening Length "L"=15ft.						Opening Length "L"=20 ft.													
	All Widths and Lengths		Widths "W"		Widths "W"		Widths "W"		Widths "W"		Widths "W"		Widths "W"		Widths "W"		Widths "W"		Widths "W"		Widths "W"		Widths "W"									
	C	D	E	J	F	A	C	D	E	J	F	A	C	D	E	J	F	A	C	D	E	J	F	A	C	D	E	J	F	A		
1'-10"	10	3	2	4	20	24	28	10	10	6	28	32	36	18	18	6	36	40	44	26	26	6	2	2	44	48	52	34	34	6	2	2

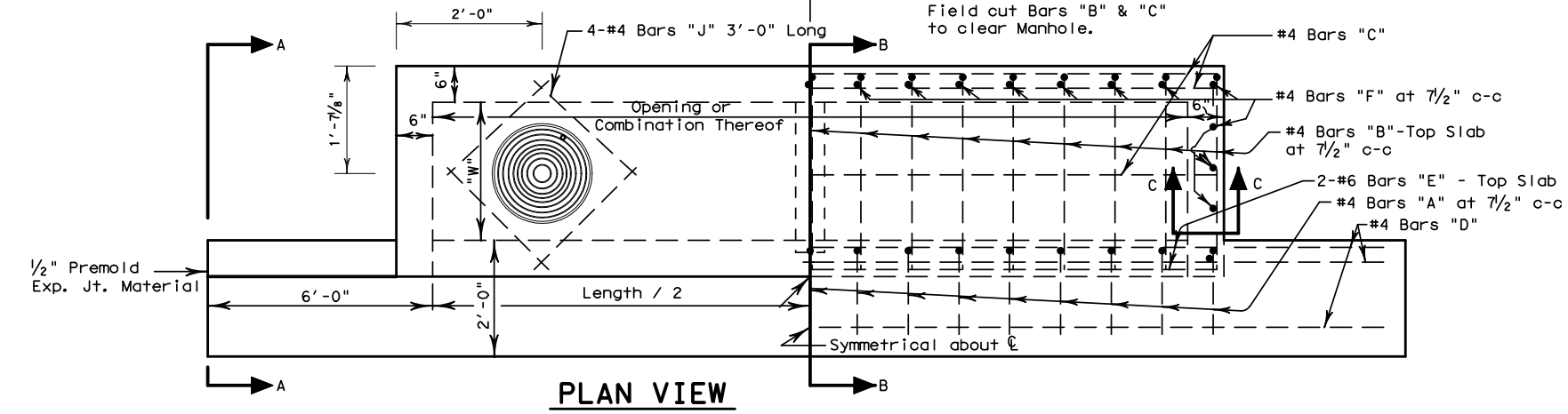
SUMMARY OF QUANTITIES FOR CURB INLETS

Depth "D"	5'-0" Opening "L"		10'-0" Opening "L"		15'-0" Opening "L"		20'-0" Opening "L"	
	Width 3'-0"	Width 4'-0"	Width 3'-0"	Width 4'-0"	Width 3'-0"	Width 4'-0"	Width 3'-0"	Width 4'-0"
	Conc. C.Y.	Steel Lbs.	Conc. C.Y.	Steel Lbs.	Conc. C.Y.	Steel Lbs.	Conc. C.Y.	Steel Lbs.
1'-10"	1.70	184	1.85	199	2.02	214	2.40	292
P.L.F.	.333	40.0	.370	44.8	.407	49.6	.519	61.4

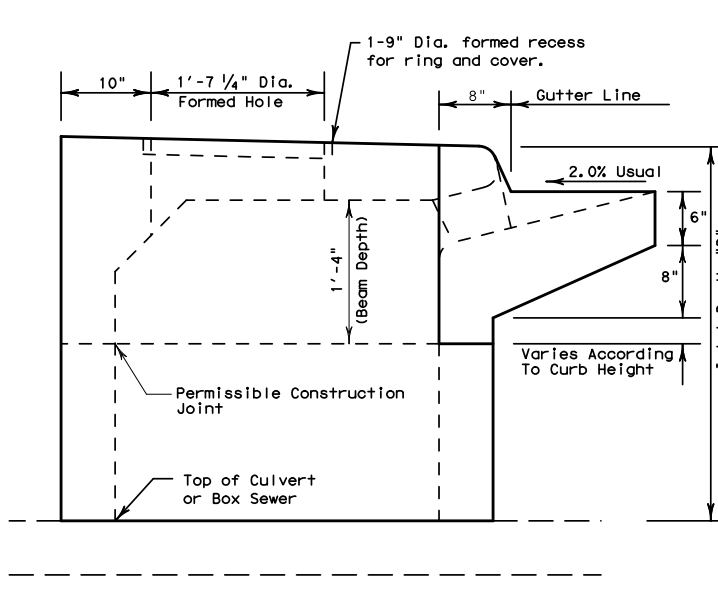


Note: Location of ring and cover to be at outfall end, unless otherwise directed by the Engineer.

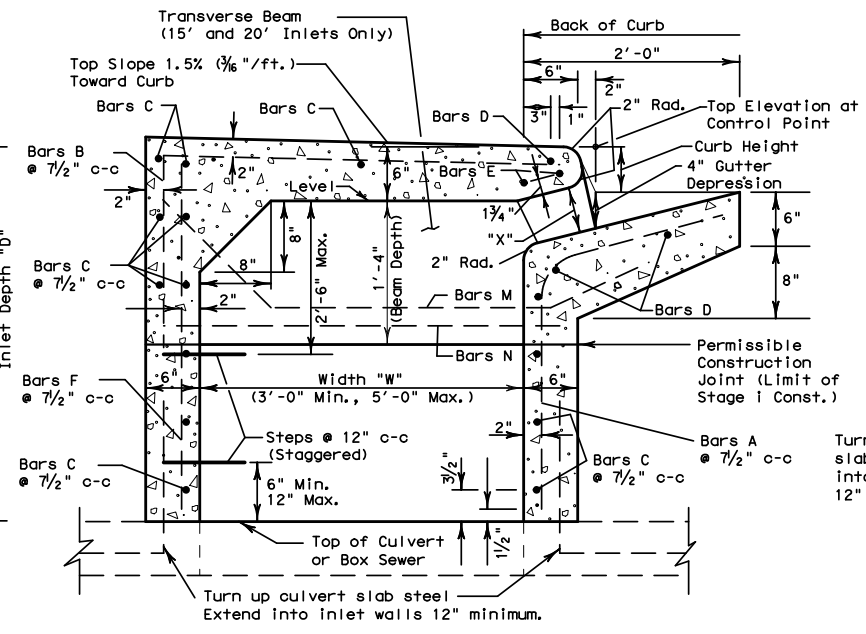
FRONT ELEVATION VIEW



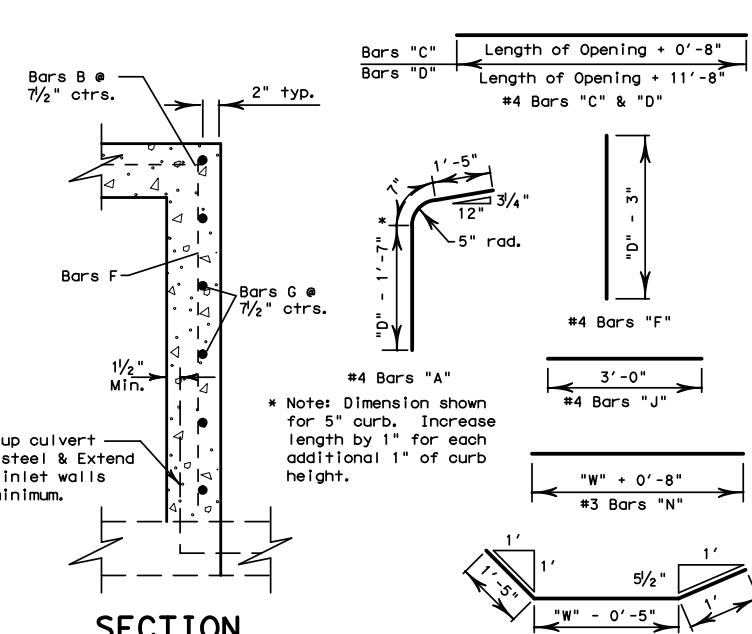
PLAN VIEW



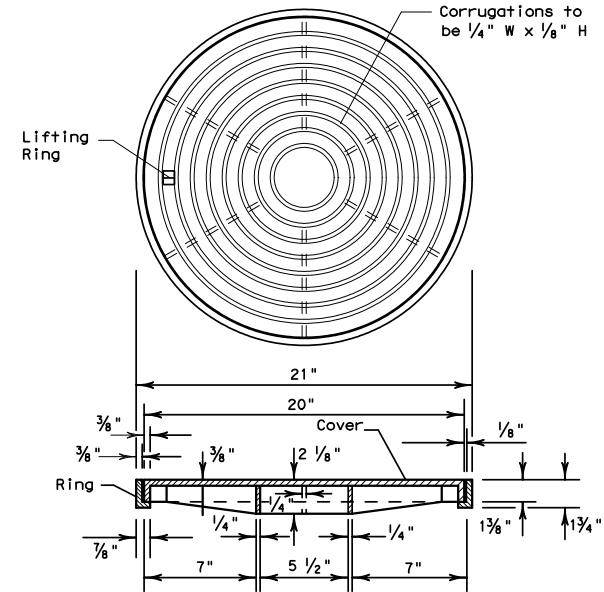
SIDE ELEVATION "A-A"



SECTION "B-B"



SECTION "C-C"



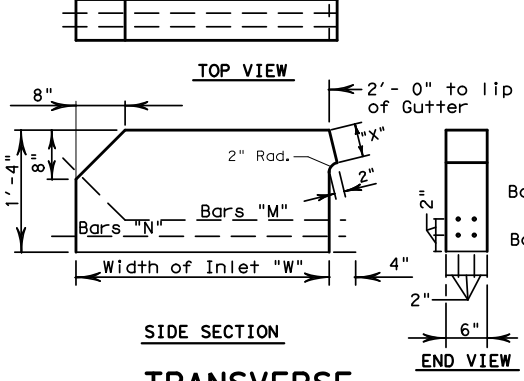
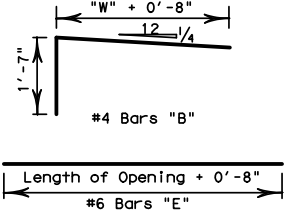
CAST IRON RING & COVER DETAIL

CONCRETE QUANTITY REDUCTION TABLE

Pipe Diameter	Reduction One Pipe C.U. Yd.
15"	0.04
18"	0.05
21"	0.08
24"	0.09
27"	0.11
30"	0.14
33"	0.17
36"	0.20
39"	0.23
42"	0.26
45"	0.30
48"	0.35

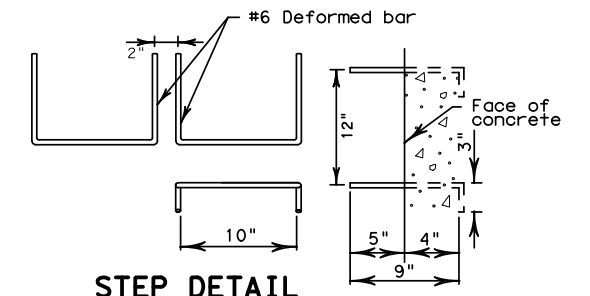
THROAT DIMENSION

CURB HEIGHT	"X"
5"	5"
6"	5 5/8"
7"	6 1/4"
8"	6 7/8"



TRANSVERSE BEAM DETAIL

(For Use With 15' & 20' Inlets)



GENERAL NOTES

- All concrete shall be Class "A".
- Chamfer all exposed corners 1/4" except where otherwise noted.
- Dimensions related to reinforcing steel are to the centers of bars.
- Field cut and bend bars as necessary to accommodate storm drain pipe.
- Cast iron ring and cover shall conform to Item 471.
- Depths other than those shown may be used whenever necessary, up to a maximum of 10'. Quantities for other depths within the limits of the tables may be found by interpolation.
- During Stage I construction, inlets will not be constructed above subgrade elevation unless permission is granted.
- A temporary wood cover shall be installed after Stage I is completed, and will remain in place until Stage 2 begins.
- The location of inlet as shown in the plans refers to the control point at the face of curb and mid-point of the inlet.
- Place a sealed 1/2" expansion joint along all vertical faces abutting concrete pavement. Seal joint with class 3,4,5 or 7 joint sealant.

Texas Department of Transportation

DALLAS

TYPE 1-C

CURB INLET ON BOX CULVERT FOR USE W/5" TO 8" CURB OR CURB & GUTTER

5', 10', 15' & 20' OPENINGS

3'-6" TO 10'-0" DEPTHS & 3', 4' & 5' WIDTHS

CI (1) -02-BC (DAL)

FED. RD. DIV. NO.	PROJECT NO.	SHEET NO.
6		
STATE	DIST.	COUNTY
TEXAS	DAL	
CONT.	SECT.	JOB
		HIGHWAY NO.

REVISED ON 9/10/08

© 2004 by Texas Department of Transportation; all rights reserved