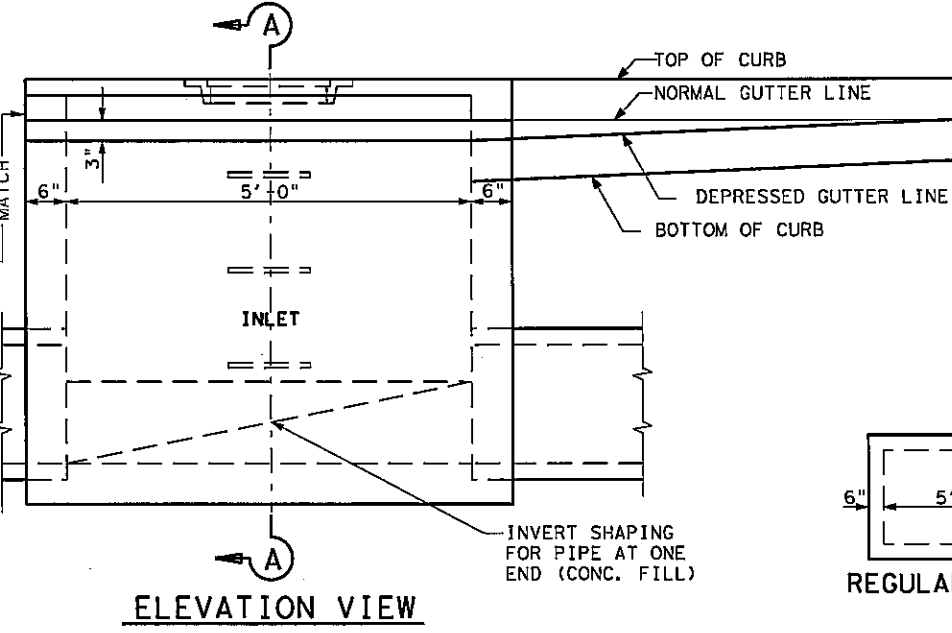
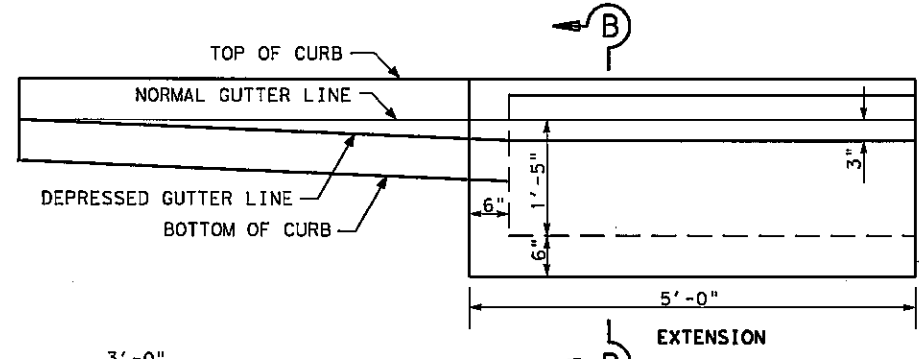
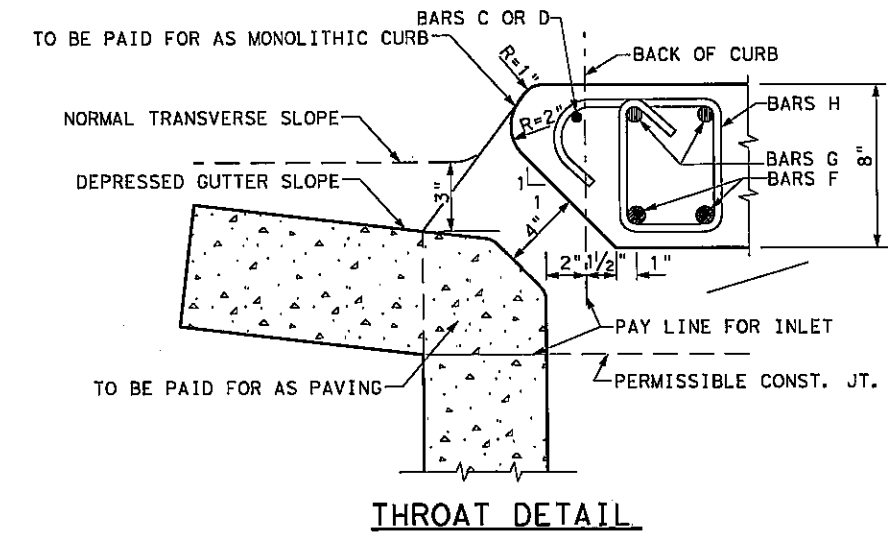


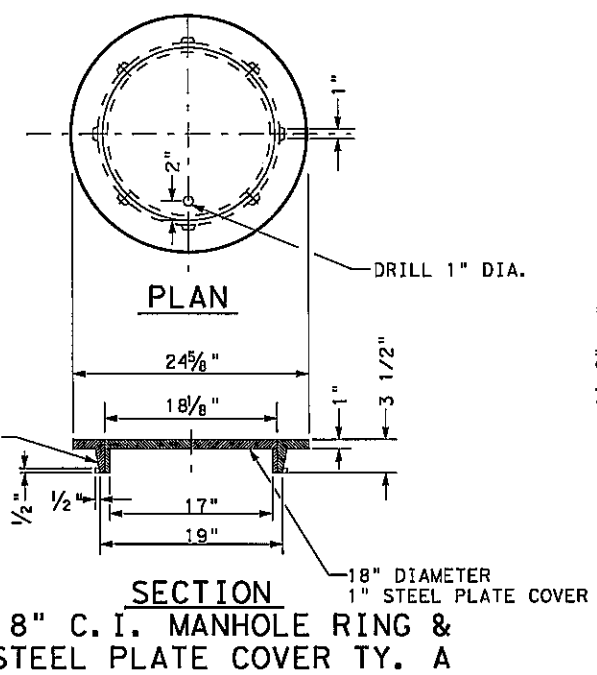
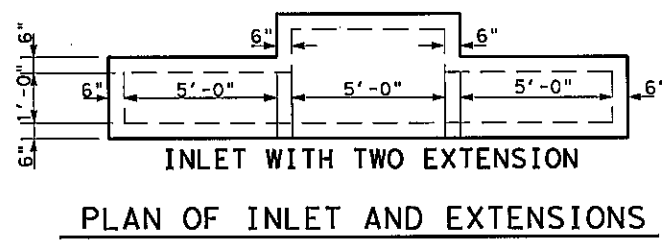
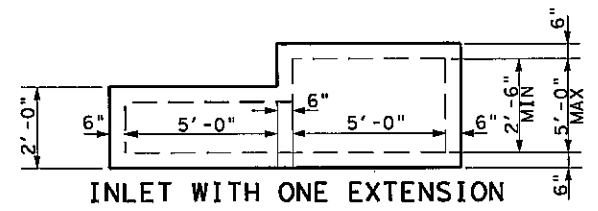
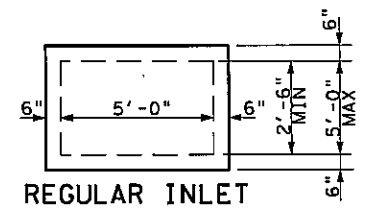
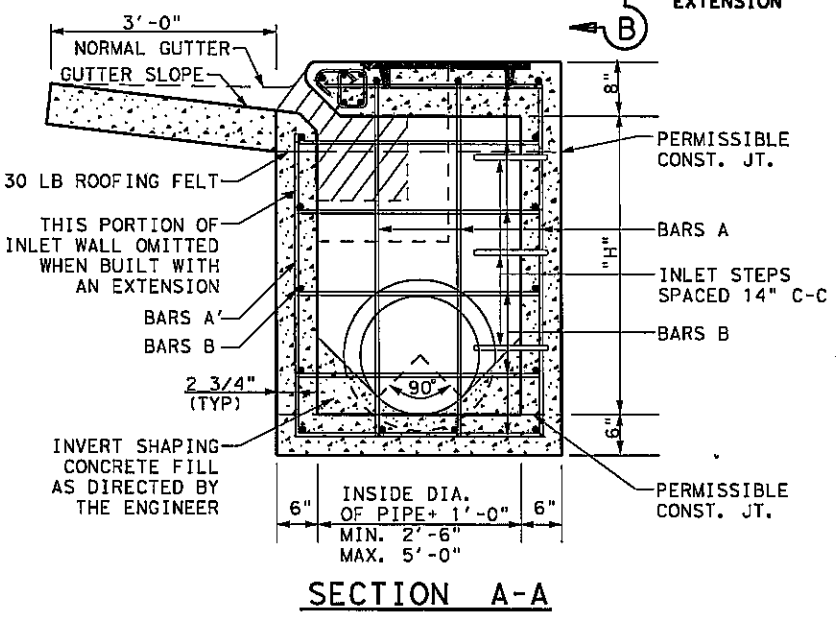
NOTE: DIMENSIONS FOR CURB SECTIONS VARY ACCORDING TO LIMITS OF PROPOSED CURB TYPES.



GENERAL NOTES:

1. ALL CONCRETE SHALL BE CLASS A. ALL EXPOSED CORNERS SHALL BE CHAMFERED 3/4".
2. CAST IRON STEPS, SPACED 14" AND LOCATED AS DIRECTED BY THE ENGINEER, SHALL BE PROVIDED AND INSTALLED IN ALL INLETS WHERE THE DEPTH "H" EXCEEDS 4'-0".
3. PAYMENT OF CURB INLETS AND EXTENSIONS THERETO AS SHOWN ON PLANS WILL BE MADE AT THE UNIT PRICE BID FOR "INLET (COMPLETE) (TYPE I)", "INLET EXTENSION".
4. DIMENSIONS RELATING TO REINFORCING STEEL ARE TO CENTERS OF BARS.
5. SEE SHEET NO. 2 OF 2 FOR INLET SUMMARY OF CONCRETE AND REINFORCING STEEL.

SHEET 1 OF 2



SECTION 18" C.I. MANHOLE RING & STEEL PLATE COVER TY. A

REVISED ON 9/10/08 NOT TO SCALE

Texas Department of Transportation Dallas District

CURB INLET TYPE I

CITY I-08

FILE: CITY I-08	DN: TxDOT	CK: TxDOT	DW:	CK:
© TxDOT	DISTRICT	FEDERAL AID PROJECT		SHEET
	DAL	COUNTY	CONTROL SECT	JOB HIGHWAY

DISCLAIMER: The use of this standard is governed by the "Texas Engineering Practice Act". No warranty of any kind is made by TxDOT for any purpose whatsoever. TxDOT assumes no responsibility for the conversion of this standard to other formats or for incorrect results or damages resulting from its use.

LEVELS DISPLAYED

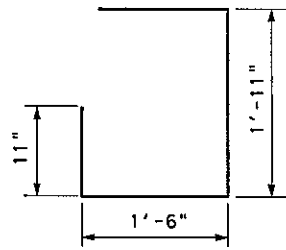
1
2
3
4
5
6
7
8
9
10
11
12
13
14
15
16
17
18
19
20
21
22
23
24
25
26
27
28
29
30

REINFORCING STEEL AND CONCRETE IN TYPE I - 5FT. INLETS

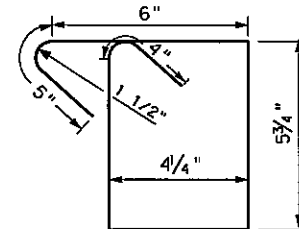
Table with columns: INLET SIZE (H, W), STEEL (BARS A, A', B, C, F, G, H), and TOTALS (Reinf. Steel, CL A Conc). Rows list inlet sizes from 3.0 to 10.0 feet.

*Does not include invert shaping

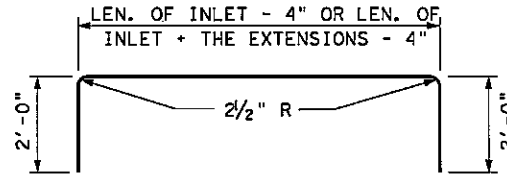
NOTE: On inlets with extensions, Bars F & G shall run continuous the inlet and extensions. Where two or more extensions are together, Bars D shall run continuous the the



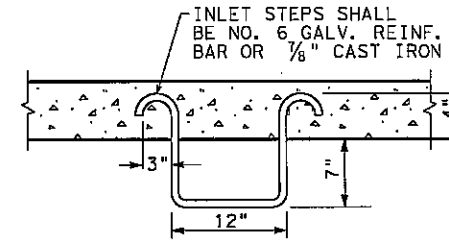
BARS E



BARS H



BARS G



DETAIL OF INLET STEPS

CONCRETE TO BE DEDUCTED FOR PIPES

Table with columns: Pipe Size, Conc. C.Y. Rows list pipe sizes from 15" to 54" and corresponding concrete quantities.

NOTE:

WHERE TWO OR MORE EXTENSIONS ARE TOGETHER, BARS "D" SHALL RUN CONTINUOUS THRU THE EXTENSIONS. * DOES NOT INCLUDE QUANTITY FOR INVERT SHAPING.

REINFORCING STEEL AND CONCRETE IN EXTENSIONS

Table with columns: 5'-0" EXTN. NO., BARS D, BARS E, BARS F, BARS G, BARS H, Reinf. Steel, CL A Conc. Rows show data for 1, 2, and 3 extensions.

* Length is to be added to the length as shown in the above table for Typ. I - 5'-0" Inlets

GENERAL NOTES:

REINFORCING STEEL AND CONCRETE TABLRS SHOWN ABOVE ARE FOR INFORMATION ONLY THESE TABLES ARE TO BE USED WITH INLET TYPE I, WITH 3" & 5" NORMAL CURB HEIGHT AND 8" CONCRETE PAVEMENT.



CURB INLET TYPE I

CI (TY I)-08

Table with columns: FILE, DN, CK, DW, CR, DISTRICT, FEDERAL AID PROJECT, COUNTY, CONTROL, SECT, JOB, HIGHWAY, SHEET.

REVISED ON 9/10/08 NOT TO SCALE

DISCLAIMER: The use of this standard is governed by the "Texas Engineering Practice Act". No warranty of any kind is made by TxDOT for any purpose whatsoever. TxDOT assumes no responsibility for the conversion of this standard to other formats or for incorrect results or damages resulting from its use.

LEVELS DISPLAYED grid