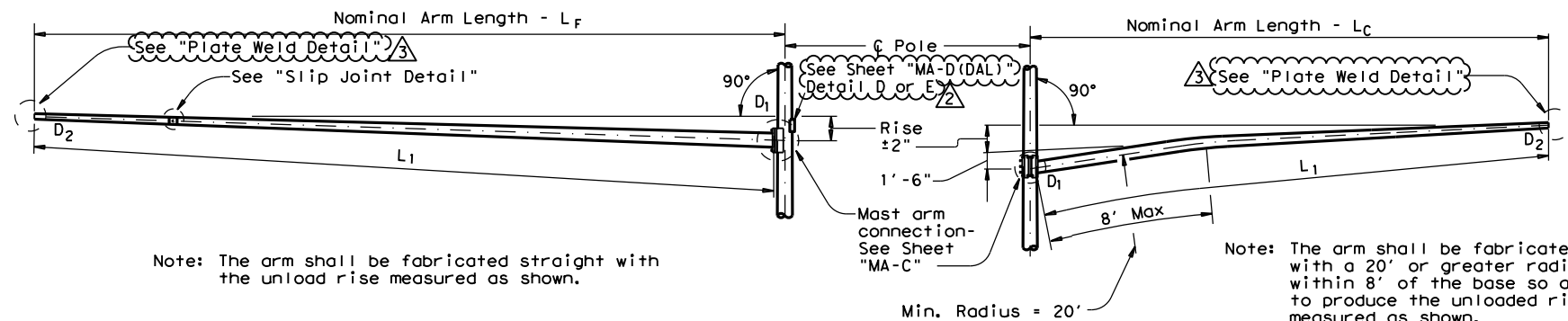


DISCLAIMER: The use of this standard is governed by the "Texas Engineering Practice Act". No warranty of any kind is made by TxDOT for any purpose whatsoever. TxDOT assumes no responsibility for the conversion of this standard to other formats or for incorrect results or damages resulting from its use.



FIXED MOUNT TRAFFIC SIGNAL ARM

CLAMP-ON TRAFFIC SIGNAL ARM

MODIFICATIONS:

- 1 REVISED MINIMUM SIGNAL HEIGHT. (3/12)
- 2 REPLACED "MA-D" WITH "MA-D(DAL)". (2/12)
- 3 REPLACED TENON DETAIL WITH PLATE WELD DETAIL. (2/12)
- 4 NOT USED
- 5 REMOVED TABLE OF DIMENSIONS "A". (2/12)
- 6 REMOVED CGB CONNECTORS. (2/12)

GENERAL NOTES:

Design conforms to 1994 AASHTO Standard Specifications for Structural Supports for Highway Signs, Luminaires, and Traffic Signals and Interim Specifications thereto. Design Wind Speed equals 80 mph plus a 1.3 gust factor. Designs are based on an arm included angle of 90 degrees or more. Angles of less than approximately 75 degrees will require a special design.

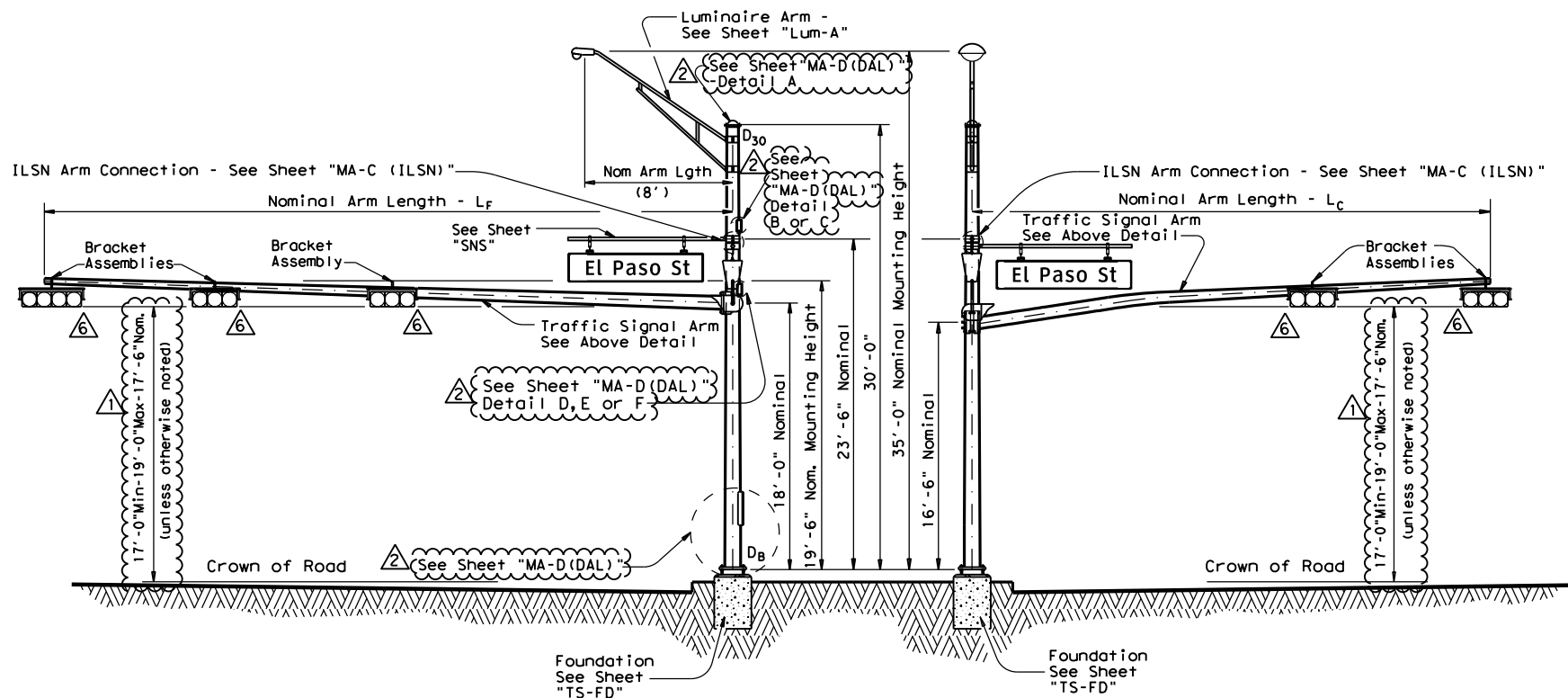
Poles are designed to support one 8'-0" luminaire arm, two 9'-0" internally lighted street name signs and two traffic signal arms with length combinations as tabulated. The specified luminaire load applied at the end of luminaire arm equals 60 lbs vertical dead load plus the horizontal wind load on an effective projected area of 1.6 sq ft. The specified internally lighted street name sign applied 4'-6" from the centerline of the pole equals 85 lbs vertical dead load plus the horizontal wind load on an effective projected area of 11.5 sq ft. The specified signal load applied at the end of the traffic signal arm equals 180 lbs vertical dead load plus the horizontal wind load on an effective projected area of 32.4 sq ft (actual area times drag coefficient).

See Standard Sheet "MA-D(DAL)" for pole details, "MA-C" for traffic signal arm connection details, "MA-C (ILSN)" for internally lighted street name sign arm connection details, "LUM-A" for luminaire arm and connection details, "SNS" for internally lighted street name sign details, and "TS-FD" for anchor bolt and foundation details. See "MA-C" for material specifications.

Fabrication shall be in accordance with Item 686, "Traffic Signal Pole Assemblies (Steel)" and with the details, dimensions, and weld procedures shown herein. Weld references call for preapproved weld procedures which the Fabricator must obtain prior to fabrication. Materials, fabrication tolerances, and shipping practices shall meet the requirements of this sheet and Item 686, "Traffic Signal Pole Assemblies (Steel)".

Unless otherwise noted, all parts shall be galvanized in accordance with Item 445, "Galvanizing", after fabrication.

Deviation from the details and dimensions shown herein require submission of shop drawings in accordance with Item 441, "Steel Structures". Alternate designs are not acceptable.



ELEVATION

(Showing fixed mount arm)

STRUCTURE ASSEMBLY

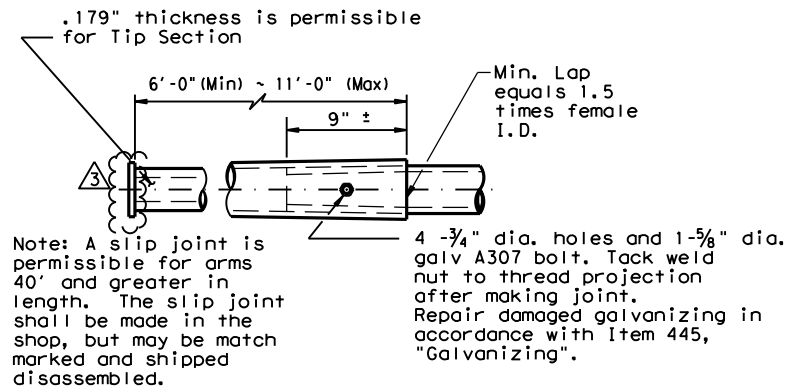
ELEVATION

(Showing clamp mount arm)

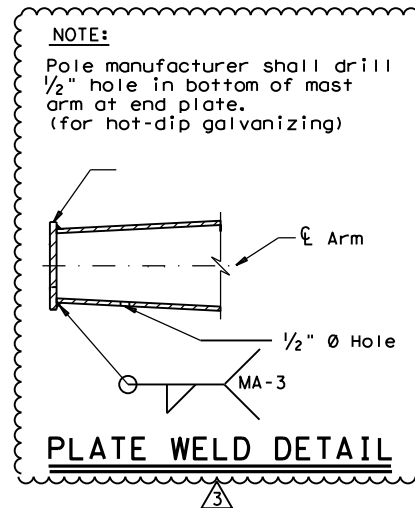
TRAFFIC SIGNAL SUPPORT STRUCTURES
DUAL MAST ARM ASSEMBLY
(80 MPH WIND ZONE)
DMA-80 (1)-12(DAL)

© TxDOT August 1995		DN: MS	CK: JSY	DW: MMF	CK: JSY
REVISIONS					
5-96	1-12	CONT	SECT	JOB	HIGHWAY
		#CONT	#SECT	#JOB	#HWY
		DIST	COUNTY		SHEET NO.
		18	#CNTY		

DISCLAIMER: The use of this standard is governed by the "Texas Engineering Practice Act". No warranty of any kind is made by TxDOT for any purpose whatsoever. TxDOT assumes no responsibility for the conversion of this standard to other formats or for incorrect results or damages resulting from its use.



SLIP JOINT DETAIL



Stainless steel bands (or Cables) and cast bracket as in "Astro-Brac", "Sky Bracket" or "Easy Bracket" with 1 1/2" Dia Threaded Coupling.

BRACKET ASSEMBLY

VIBRATION WARNING

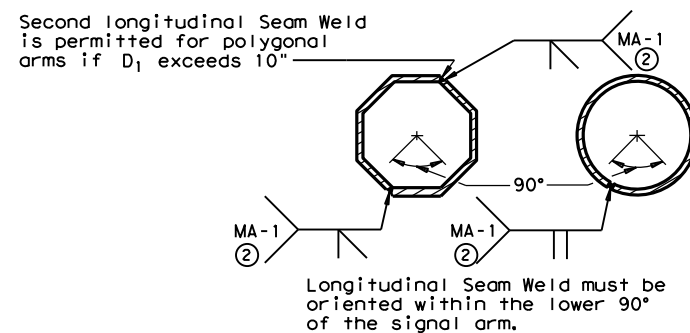
Mast Arms of SMA and DMA structures and clamp-on Arms of LMA structures of approximately 40 ft or longer are subject to harmonic vertical vibrations in light wind conditions due to the aeroelastic characteristics of a few of the myriads of possible combinations of the following: signal numbers, weights and positions; existence/solidity of backplates; presence of additional attachments to the arm, such as signs and cameras; arm-wind orientation; and arm-pole stiffness.

Such vibrations may cause fatigue damage to the structure and may lead to galloping in moderate wind conditions which may further damage the structure and alarm the public. Tests have indicated that when wind is blowing toward the back side of signal heads having un-vented backplates attached the probability of unacceptable harmonic vibration and/or galloping is rather high.

If backplates are not required for improved visibility they should not be applied to the signal heads or, if they must be applied, they should be vented as a first and inexpensive measure to mitigate vibrations.

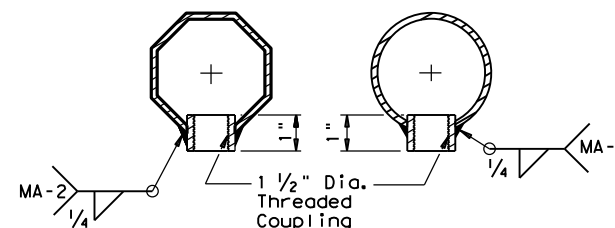
The traffic signal mast arms shall be visually inspected in 5 to 20 mph wind conditions after installation of signal heads and any attachments, including any required backplates. If vertical movements with a total excursion (maximum upward excursion to maximum downward excursion) of more than approximately 8" are observed at the arm tip, a damping plate shall be fitted to the arm. See "Damping Plate Mounting Details" on standard sheet, MA-DPD-10.

This visual inspection shall be repeated after each modification of the structure that could affect its aeroelastic response. Excessive vibrations shall not be allowed to continue for more than two days.



ARM WELD DETAIL

② 60% Min. penetration
100% penetration within 6" of circumferential base welds.



ARM COUPLING DETAILS

REPLACED TENON DETAIL WITH PLATE WELD DETAIL (2/12)

Texas Department of Transportation

TRAFFIC SIGNAL SUPPORT STRUCTURES

DUAL MAST ARM ASSEMBLY

(80 MPH WIND ZONE)

DMA-80 (2) - 12 (DAL)

© TxDOT August 1995		DN: MS	CK: JSY	DW: MMF	CK: JSY
REVISIONS					
5-96	CONT	SECT	JOB	HIGHWAY	
1-12	#CONT	#SECT	#JOB	#HWY	
	DIST	COUNTY		SHEET NO.	
	18	#CNTY			

DISCLAIMER: The use of this standard is governed by the "Texas Engineering Practice Act". No warranty of any kind is made by TxDOT for any purpose whatsoever. TxDOT assumes no responsibility for the conversion of this standard to other formats or for incorrect results or damages resulting from its use.

SHIPPING PARTS LIST

Ship each pole with the following attached: enlarged hand hole, pole cap, fixed arm connection bolts and washers and any additional hardware listed in the table.

Nominal Arm Length	30' Poles With Luminaire		24' Poles With ILSN		19' Poles With no Luminaire and no ILSN		
	LF	Lc	See note above plus: one (or two if ILSN attached) small hand hole, clamp-on simplex		See note above plus one small hand hole		See note above
ft.	ft.	Designation	Quantity	Designation	Quantity	Designation	Quantity
20	20	2020L-80		2020S-80		2020-80	
24	20	2420L-80		2420S-80		2420-80	
	24	2424L-80		2424S-80		2424-80	
28	20	2820L-80		2820S-80		2820-80	
	24	2824L-80		2824S-80		2824-80	
	28	2828L-80		2828S-80		2828-80	
32	20	3220L-80		3220S-80		3220-80	
	24	3224L-80		3224S-80		3224-80	
	28	3228L-80		3228S-80		3228-80	
	32	3232L-80		3232S-80		3232-80	
36	20	3620L-80		3620S-80		3620-80	
	24	3624L-80		3624S-80		3624-80	
	28	3628L-80		3628S-80		3628-80	
	32	3632L-80		3632S-80		3632-80	
	36	3636L-80		3636S-80		3636-80	
40	20	4020L-80		4020S-80		4020-80	
	24	4024L-80		4024S-80		4024-80	
	28	4028L-80		4028S-80		4028-80	
	32	4032L-80		4032S-80		4032-80	
	36	4036L-80		4036S-80		4036-80	
44	20	4420L-80		4420S-80		4420-80	
	24	4424L-80		4424S-80		4424-80	
	28	4428L-80		4428S-80		4428-80	
	32	4432L-80		4432S-80		4432-80	
	36	4436L-80		4436S-80		4436-80	

Traffic Signal Arms (Fixed Mount) (1 per pole) Ship each arm w/ the listed equipment attached

Nominal Arm Length	Type I Arm (1 Signal)		Type II Arm (2 Signals)		Type III Arm (3 Signals)	
	1 Bracket Assembly		2 Bracket Assemblies		3 Bracket Assemblies	
ft.	Designation	Quantity	Designation	Quantity	Designation	Quantity
20	20I-80					
24	24I-80		24II-80			
28	28I-80		28II-80			
32			32II-80		32III-80	
36			36II-80		36III-80	
40			40II-80		40III-80	
44			44II-80		44III-80	

Traffic Signal Arms (Clamp-On Mount) (1 per pole) Ship each arm w/ the listed equipment attached

Nominal Arm Length	Type I Arm (1 Signal)		Type II Arm (2 Signals)		Type III Arm (3 Signals)	
	1 Bracket Assembly and 1 clamp w/bolts and washers		2 Bracket Assemblies and 1 clamp w/bolts and washers		3 Bracket Assemblies and 1 clamp w/bolts and washers	
ft.	Designation	Quantity	Designation	Quantity	Designation	Quantity
20	20I-80		20II-80			
24	24I-80		24II-80			
28	28I-80		28II-80			
32			32II-80		32III-80	
36			36II-80		36III-80	

Luminaire Arms (1 per 30' pole)

Nominal Arm Length	Quantity
8' Arm	

ILSN Arm (1 or 2 per pole) ship with clamps, bolts and washers

Nominal Arm Length	Quantity
7' Arm	
9' Arm	

Anchor Bolt Assemblies (1 per pole)

Anchor Bolt Diameter	Anchor Bolt Length	Quantity
1 1/2"	3'-4"	
1 3/4"	3'-10"	
2"	4'-3"	

Each anchor bolt assembly consists of the following: Top and Bottom templates, 4 anchor bolts, 8 nuts, 8 flat washers, and 4 nut anchor devices (Type 2) per Standard Drawing "TS-FD".

Templates may be removed for shipment.

ARMS		ROUND POLES					POLYGONAL POLES					Foundation Type
LF	Lc	D _B	D ₁₉	D ₂₄	D ₃₀	(3) thk	D _B	D ₁₉	D ₂₄	D ₃₀	(3) thk	
ft.	ft.	in.	in.	in.	in.	in.	in.	in.	in.	in.	in.	
20	20	11.5	8.8	8.1	7.3	.179	12.5	9.5	8.7	7.8	.179	30-A
24	20	12.0	9.3	8.6	7.8	.179	13.0	10.0	9.2	8.3	.179	30-A
	24	12.0	9.3	8.6	7.8	.179	13.0	10.0	9.2	8.3	.239	30-A
28	20	12.5	9.8	9.1	8.3	.179	12.0	9.0	8.2	7.3	.239	30-A
	24	12.5	9.8	9.1	8.3	.179	12.0	9.0	8.2	7.3	.239	30-A
	28	13.0	10.3	9.6	8.8	.179	12.5	9.5	8.7	7.8	.239	30-A
32	20	13.0	10.3	9.6	8.8	.179	12.5	9.5	8.7	7.8	.239	30-A
	24	13.0	10.3	9.6	8.8	.179	12.5	9.5	8.7	7.8	.239	30-A
	28	12.0	9.3	8.6	7.8	.239	13.0	10.0	9.2	8.3	.239	30-A
	32	12.0	9.3	8.6	7.8	.239	13.5	10.5	9.7	8.8	.239	36-A
36	20	12.0	9.3	8.6	7.8	.239	13.5	10.5	9.7	8.8	.239	36-A
	24	12.0	9.3	8.6	7.8	.239	13.5	10.5	9.7	8.8	.239	36-A
	28	12.5	9.8	9.1	8.3	.239	13.5	10.5	9.7	8.8	.239	36-A
	32	12.5	9.8	9.1	8.3	.239	13.5	10.5	9.7	8.8	.239	36-A
	36	12.5	9.8	9.1	8.3	.239	14.0	11.0	10.2	9.3	.239	36-A
40	20	12.5	9.8	9.1	8.3	.239	14.0	11.0	10.2	9.3	.239	36-A
	24	12.5	9.8	9.1	8.3	.239	14.0	11.0	10.2	9.3	.239	36-A
	28	13.0	10.3	9.6	8.8	.239	14.0	11.0	10.2	9.3	.239	36-A
	32	13.0	10.3	9.6	8.8	.239	15.0	12.0	11.2	10.3	.239	36-A
	36	13.5	10.8	10.1	9.3	.239	15.0	12.0	11.2	10.3	.239	36-A
44	20	13.5	10.8	10.1	9.3	.239	15.0	12.0	11.2	10.3	.239	36-A
	24	13.5	10.8	10.1	9.3	.239	15.0	12.0	11.2	10.3	.239	36-A
	28	13.5	10.8	10.1	9.3	.239	15.0	12.0	11.2	10.3	.239	36-A
	32	14.0	11.3	10.6	9.8	.239	15.5	12.5	11.7	10.8	.239	36-B
	36	14.0	11.3	10.6	9.8	.239	15.5	12.5	11.7	10.8	.239	36-B


Arm LF or LC	ROUND ARMS					POLYGONAL ARMS				
	L ₁	D ₁	D ₂	(3) thk	Rise	L ₁	D ₁	(4) D ₂	(3) thk	Rise
ft.	ft.	in.	in.	in.		ft.	in.	in.	in.	
20	19.1	6.5	3.8	.179	1'-9"	19.1	7.0	3.5	.179	1'-8"
24	23.1	7.5	4.3	.179	1'-10"	23.1	7.5	3.5	.179	1'-9"
28	27.1	8.0	4.2	.179	1'-11"	27.1	8.0	3.5	.179	1'-10"
32	31.0	9.0	4.7	.179	2'-1"	31.0	9.0	3.5	.179	2'-0"
36	35.0	9.5	4.6	.179	2'-4"	35.0	10.0	3.5	.179	2'-1"
40	39.0	9.5	4.1	.239	2'-8"	39.0	9.5	3.5	.239	2'-3"
44	43.0	10.0	4.1	.239	2'-11"	43.0	10.0	3.5	.239	2'-6"

D_B = Pole Base O.D.
 D₁₉ = Pole Top O.D. with no Luminaire and no ILSN
 D₂₄ = Pole Top O.D. with ILSN w/out Luminaire
 D₃₀ = Pole Top O.D. with Luminaire

D₁ = Arm Base O.D.
 D₂ = Arm End O.D.
 L₁ = Shaft Length
 LF = Fixed Arm Length
 LC = Clamp-on Arm Length (36" Max)

- (3) Thickness shown are minimums, thicker materials may be used.
- (4) D₂ may be increased by up to 1.0" for polygonal arms.

(A) REPLACED CGB CONNECTOR WITH BRACKET ASSEMBLY (2/12).
 (B) ADDITIONAL OPTION (2/12).



TRAFFIC SIGNAL SUPPORT STRUCTURES
DUAL MAST ARM ASSEMBLY
(80 MPH WIND ZONE)
DMA-80 (3)-12 (DAL)

© TxDOT August 1995		DN: MS	CK: JSY	DW: MMF	CK: JSY
REVISIONS		CONT	SECT	JOB	HIGHWAY
5-96	1-12	#CONT	#SECT	#JOB	#HWY
		DIST	COUNTY	SHEET NO.	
		18	#CNTY		