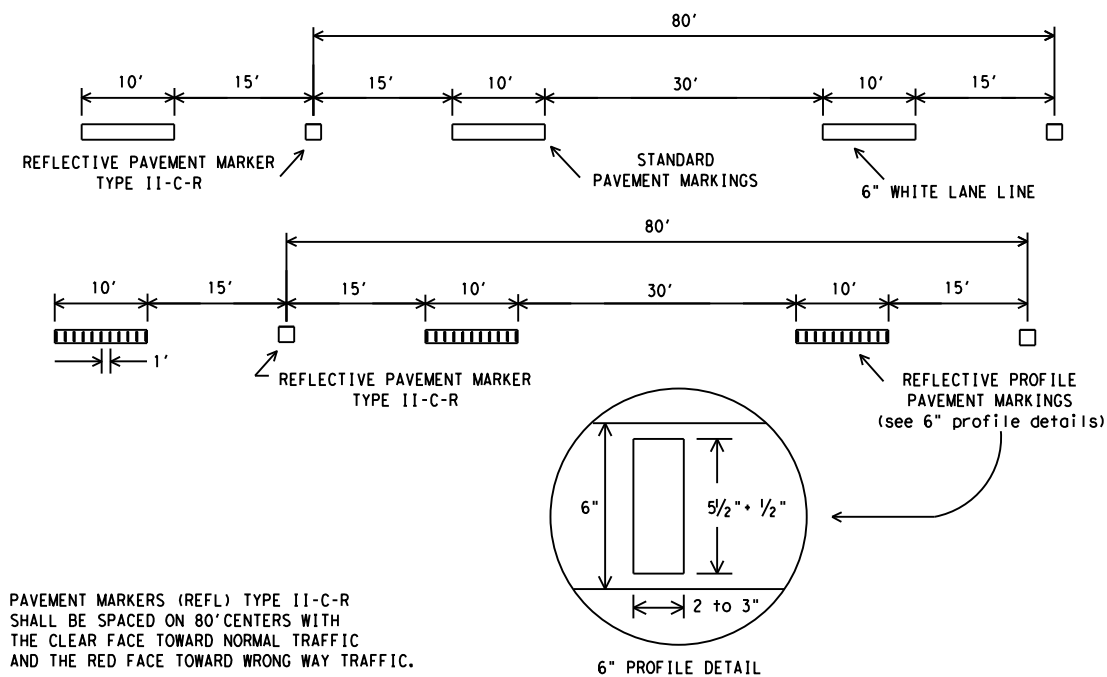


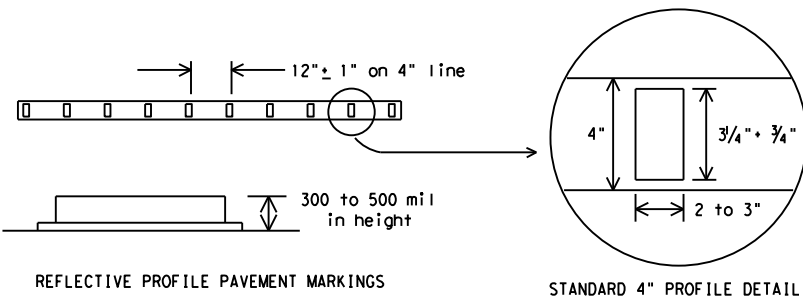
DISCLAIMER: The use of this standard is governed by the "Texas Engineering Practice Act". No warranty of any kind is made by TxDOT for any purpose whatsoever. TxDOT assumes no responsibility for the conversion of this standard to other formats or for incorrect results or damages resulting from its use.



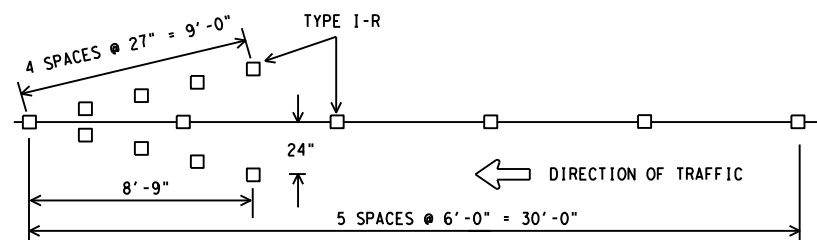
PAVEMENT MARKERS (REFL) TYPE II-C-R SHALL BE SPACED ON 80' CENTERS WITH THE CLEAR FACE TOWARD NORMAL TRAFFIC AND THE RED FACE TOWARD WRONG WAY TRAFFIC.

**TRAFFIC LANE LINES PAVEMENT MARKING DETAILS**

EDGE LINES SHOULD BE 4" WIDE AND THE MATERIALS SHALL BE AS SPECIFIED IN THE PLANS. IF RAISED PROFILE PAVEMENT MARKINGS ARE USED SEE DETAILS BELOW.

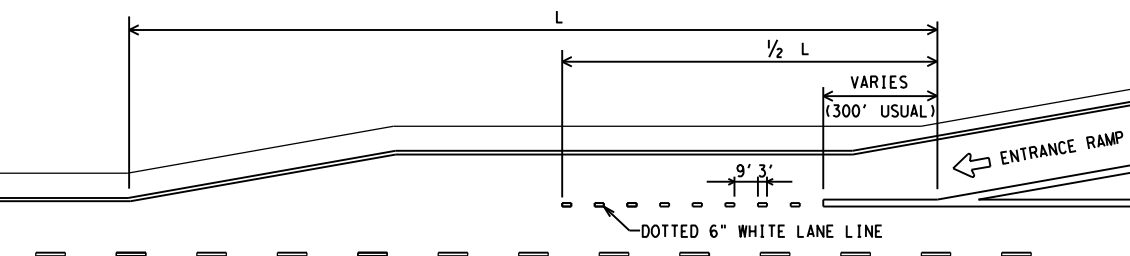


**EDGE LINE PAVEMENT MARKINGS**

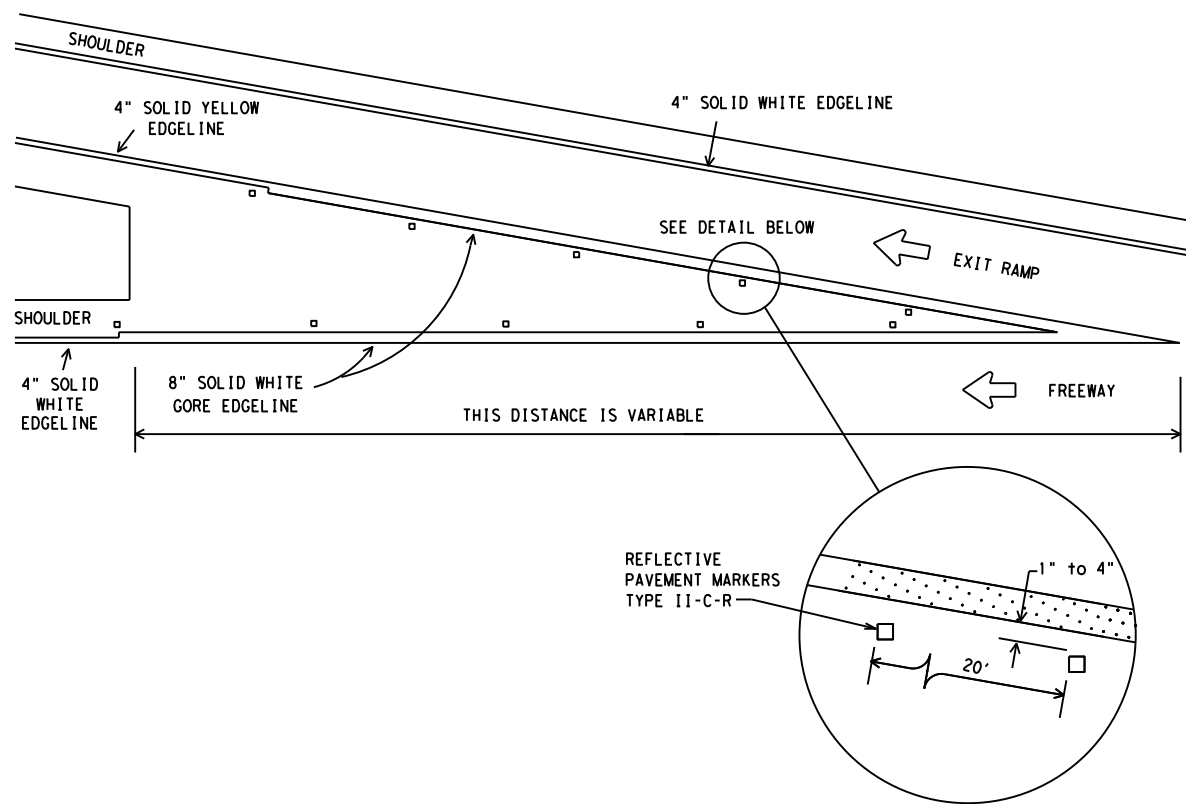


ALL RAISED MARKERS IN THE WRONG WAY ARROW SHALL BE TYPE I-R REFLECTORIZED PAVEMENT MARKERS WITH THE REFLECTORIZED SURFACE FACING THE WRONG WAY TRAFFIC. TYPE II-C-R SHALL NOT BE USED. REFLECTORIZED WRONG WAY ARROWS, NOT TO EXCEED TWO, MAY BE PLACED ON EXIT RAMP. LOCATION OF THE ARROWS SHALL BE AS SHOWN IN THE PLANS OR AS DIRECTED BY THE ENGINEER.

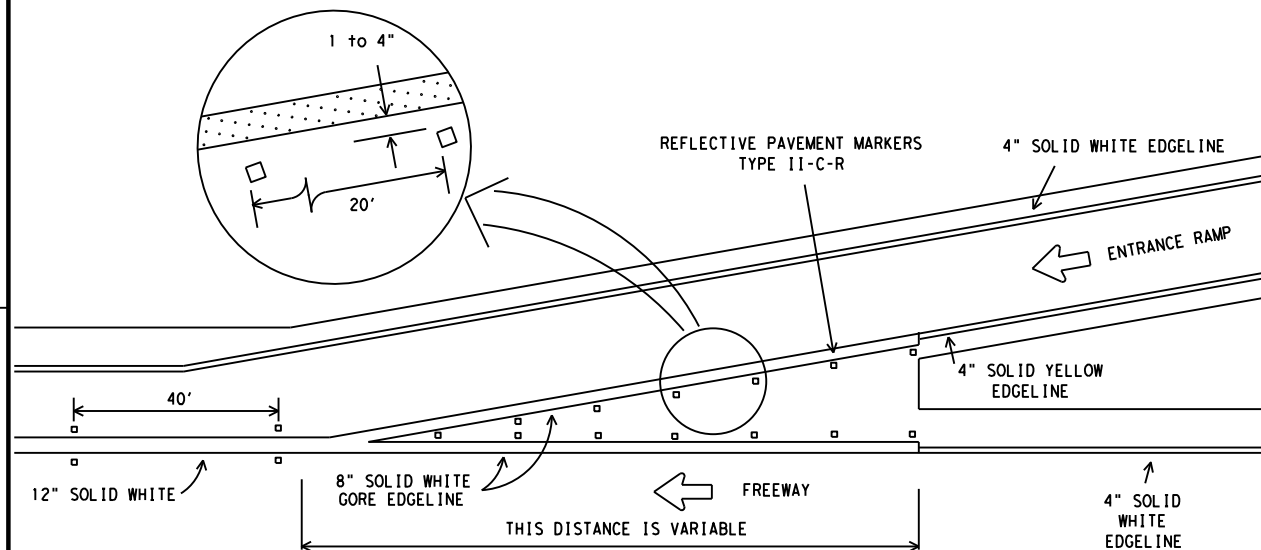
**WRONG WAY ARROW DETAIL**



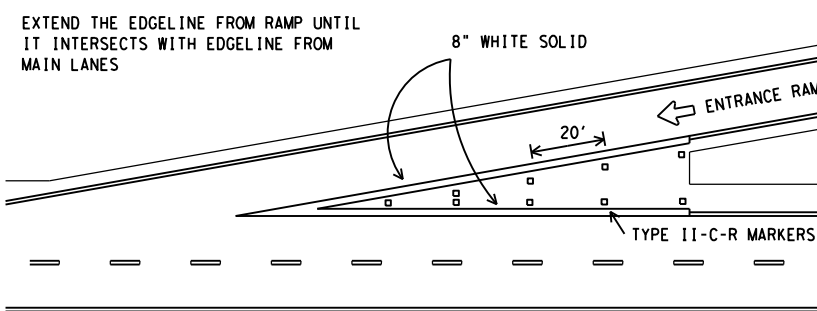
**PARALLEL ACCELERATION LANE**



**TYPICAL EXIT RAMP GORE MARKING**



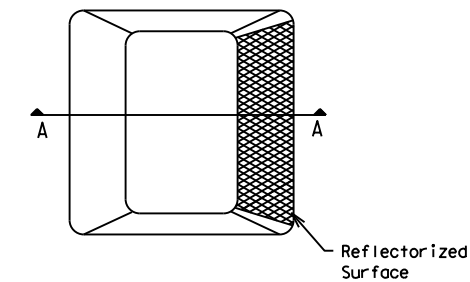
**TYPICAL ENTRANCE RAMP GORE MARKING**



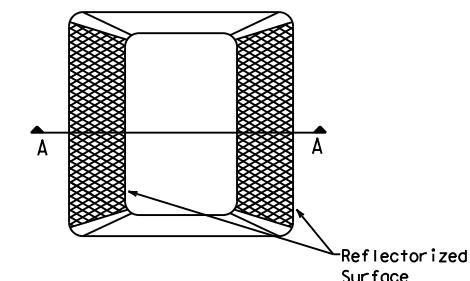
**TAPERED ACCELERATION LANE**

MATERIAL SPECIFICATIONS	
PAVEMENT MARKERS (REFLECTORIZED)	DMS-4200
EPOXY AND ADHESIVES	DMS-6100
BITUMINOUS ADHESIVE FOR PAVEMENT MARKERS	DMS-6130
TRAFFIC PAINT	DMS-8200
HOT APPLIED THERMOPLASTIC	DMS-8220
PERMANENT PREFABRICATED PAVEMENT MARKINGS	DMS-8240

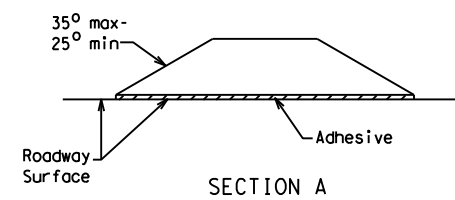
All pavement marking materials shall meet the required Departmental Material Specifications as specified by the plans.



Type I (Top View)



Type II (Top View)



SECTION A

**RAISED PAVEMENT MARKERS**

**Texas Department of Transportation**  
**DALLAS DISTRICT**  
**TYPICAL STANDARD**  
**FREEWAY PAVEMENT MARKINGS**  
**WITH RAISED**  
**PAVEMENT MARKERS**  
**FPM(1)-12(DAL)**

© TxDOT September 2017	DN: TxDOT	CK: TxDOT	DW: TxDOT	CK: TxDOT
REVISIONS	CONT	SECT	JOB	HIGHWAY
10-17. CHANGED LANE LINE WIDTH TO 6 INCHES.				
	DIST	COUNTY		SHEET NO.

DATE:  
FILE: