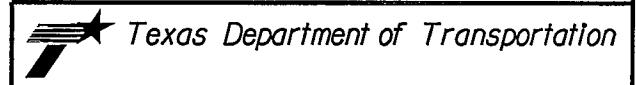


* OPTIONAL MARKINGS

DOUBLE LANE EXIT

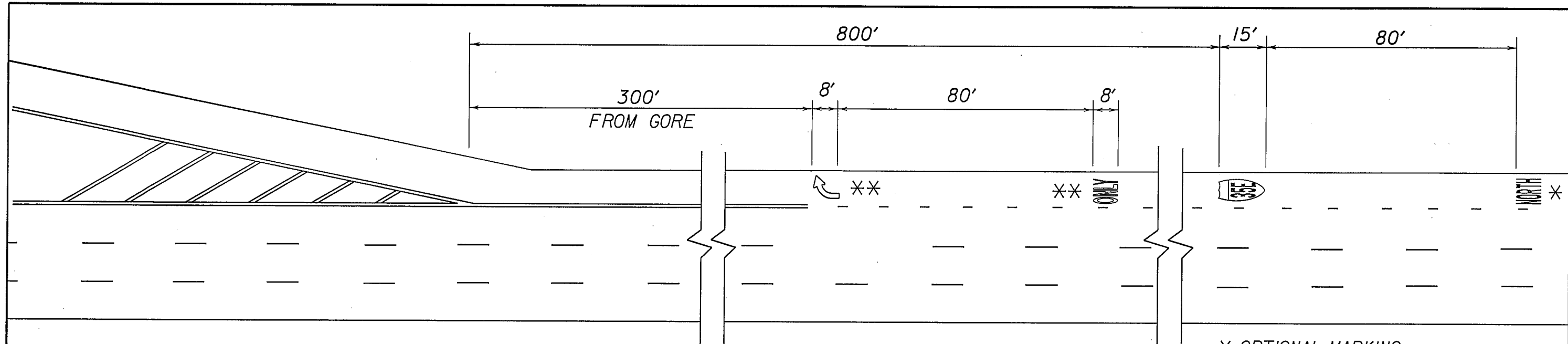


HORIZONTAL SIGNING
DALLAS DISTRICT

SHEET 1 OF 2

FILE:	DN:	CK:	DW:	CK:
© TXDOT 2008	DIST	FED REG	PROJECT NO.	SHEET
REVISIONS	DAL	6		
	COUNTY	CONTROL	SECT	JOB
				HIGHWAY

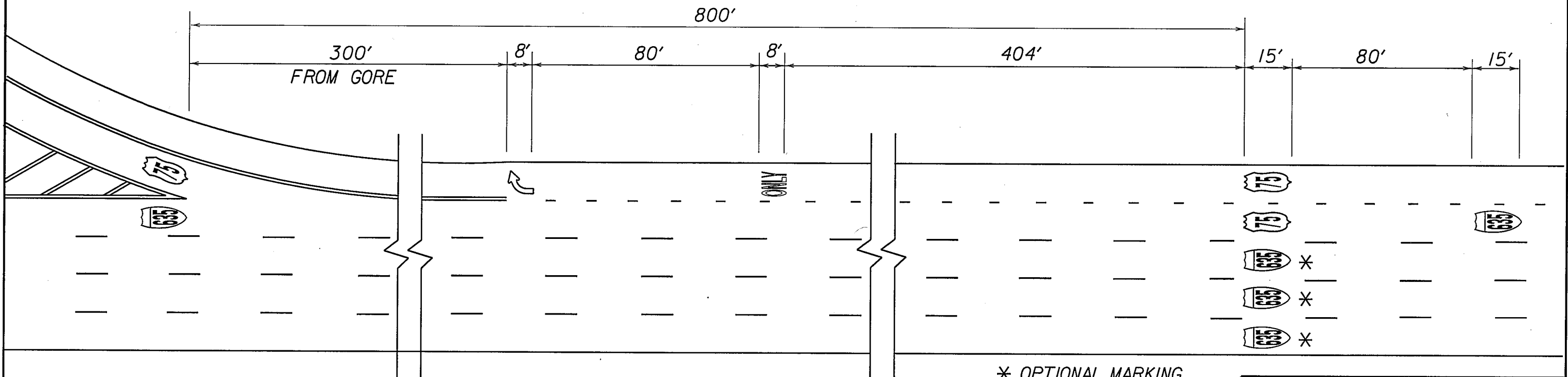
NOT TO SCALE



EXIT ONLY

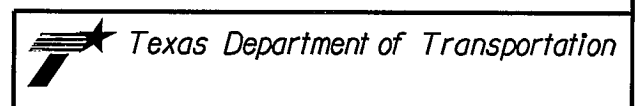
** (NOT NEEDED FOR AUXILIARY LANES LESS THAN 2000' IN LENGTH)

* OPTIONAL MARKING



EXIT ONLY / EXIT OPTION SPLIT

* OPTIONAL MARKING



HORIZONTAL SIGNING
DALLAS DISTRICT

SHEET 2 OF 2

FILE:	DN: CC	CK:	DW:	CK:
© TxDOT 2008	DIST	FED REG	PROJECT NO.	SHEET
REVISIONS	DAL	6		
	COUNTY	CONTROL	SECT	JOB
				HIGHWAY

NOT TO SCALE