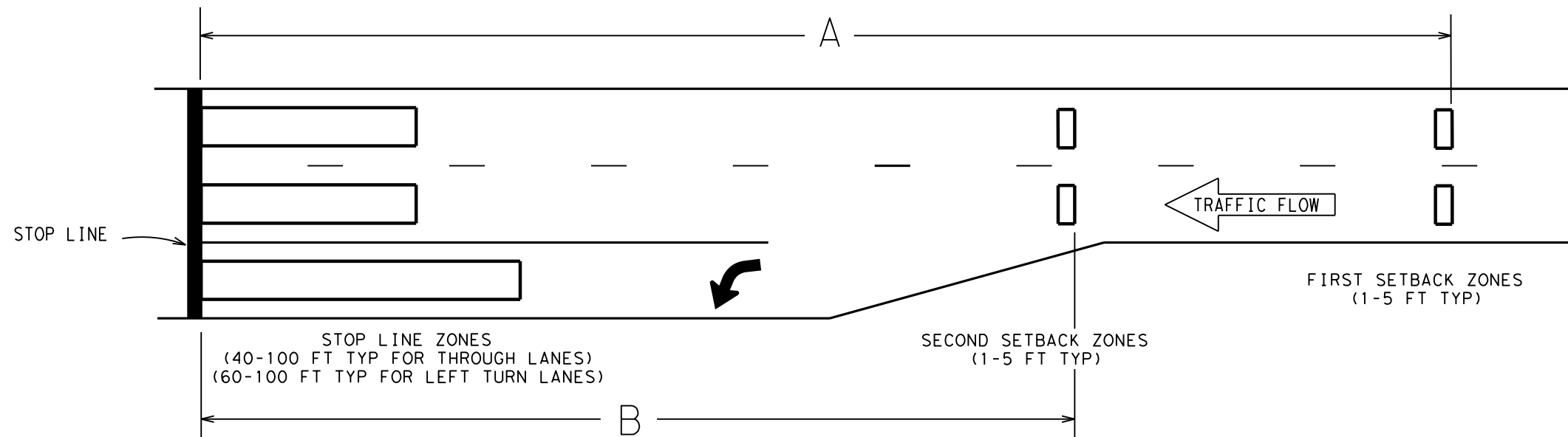
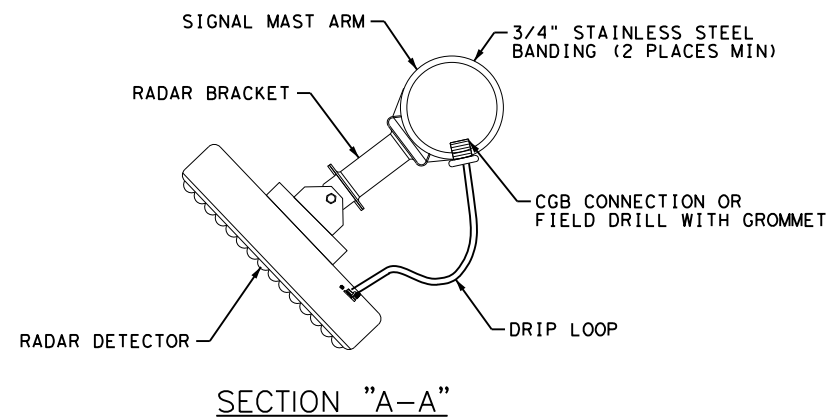
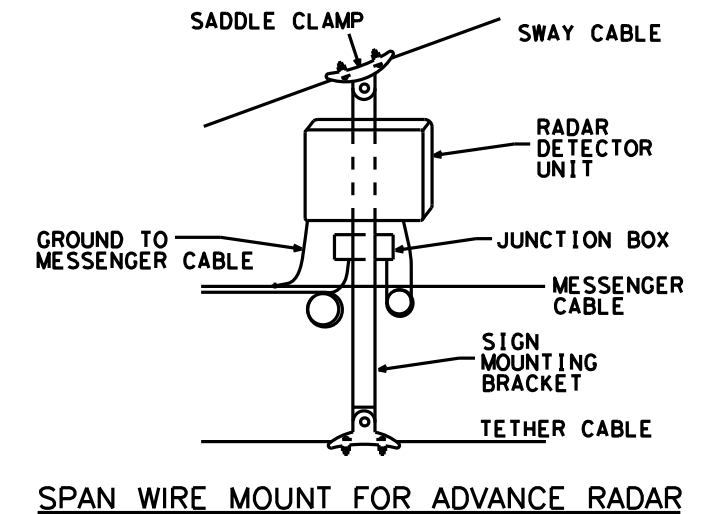
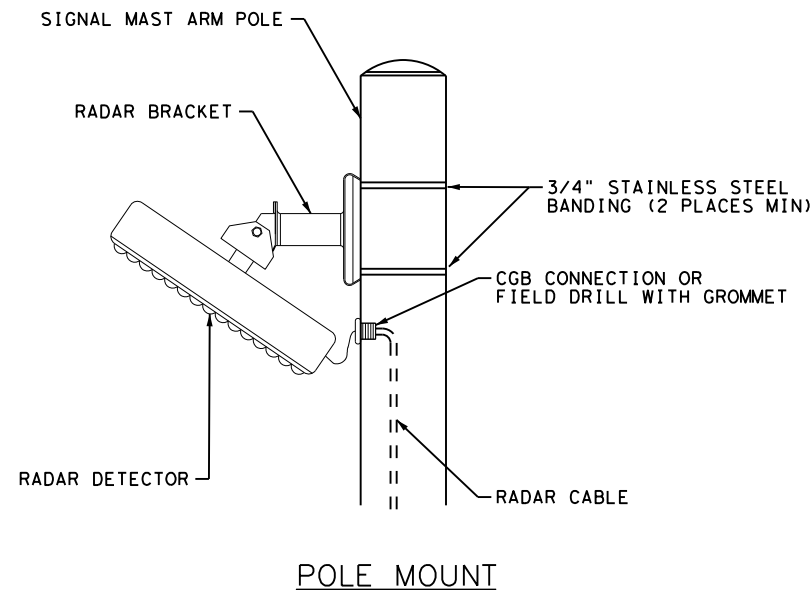
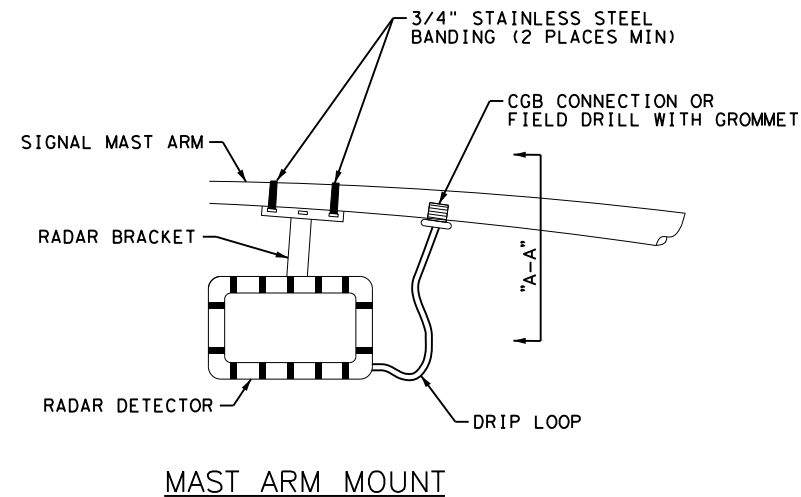


## RADAR DETECTION ZONE LOCATIONS



APPROACH SPEED LIMIT (MPH)	DISTANCE A (FT)	DISTANCE B (FT)	MINIMUM RANGE OF DETECTION (LF)
45	360	245	400
50	405	300	440
55	445	325	490
60	485	355	530
65	525	380	575
70	565	410	620

## RADAR DETECTION INSTALLATION DETAILS



### NOTES:

1. THE RADAR SENSOR MOUNTING BRACKET MUST BE ADJUSTABLE TO TILT UP, DOWN, LEFT, RIGHT, AND TO ROTATE.
2. THE RADAR DETECTOR UNITS SHOWN ARE NOT INTENDED TO REPRESENT ANY SPECIFIC BRAND OR PRODUCT, AND ALTERNATE MOUNTING METHODS MAY BE SUBMITTED FOR APPROVAL.

### DALLAS DISTRICT STANDARD



## RADAR VEHICLE DETECTION SYSTEM RVDS-18 (DAL)

REVISIONS	FED. RD. DIV. NO.	FEDERAL AID PROJECT NO.	HIGHWAY NO.
	6	(SEE TITLE SHEET)	SHWY
	STATE	DISTRICT	COUNTY
	TEXAS	18	\$CNTY
	CONTROL	SECTION	JOB
	\$CONT	\$SECT	\$JOB