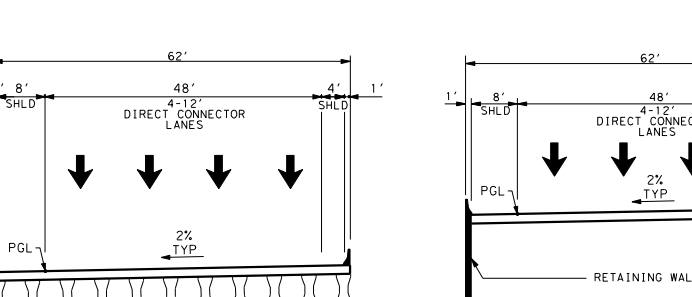
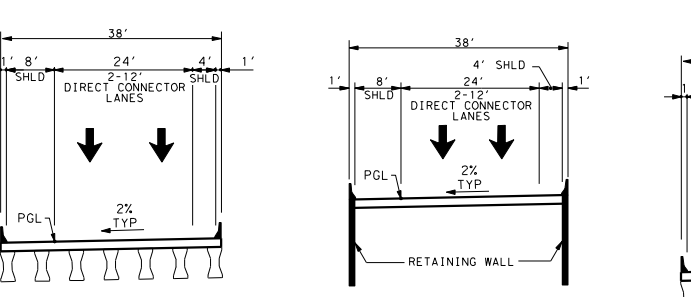
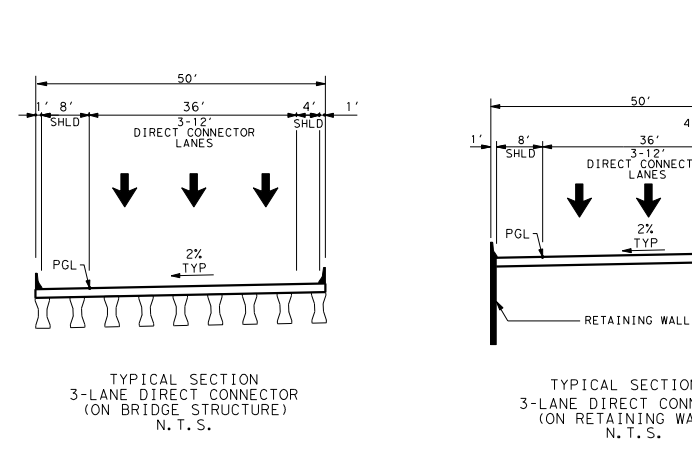
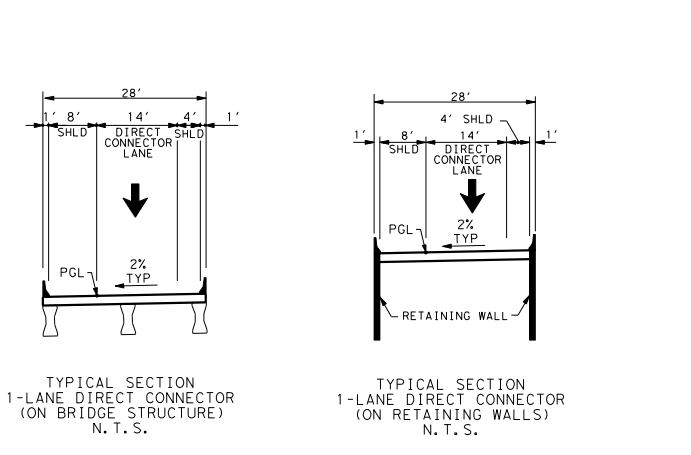


**FRONTAGE ROAD**



**ULTIMATE SCOPE  
IH820, CROSS STREETS,  
RAMP TYPICAL SECTIONS**

ROLL 24 OF 27

NOT INTENDED FOR CONSTRUCTION OR PERMIT PURPOSES

DATE SUBMITTED: 2-25-2009

DATE REVISED:

DATE APPROVED:

GRAPHIC SCALES IN FEET

TEXAS DEPARTMENT OF TRANSPORTATION  
FORT WORTH DISTRICT  
MARIBEL CHAVEZ, P.E. DISTRICT ENGINEER  
PRELIMINARY DESIGN SCHEMATIC

**PRELIMINARY**

**AECOM**

© 2009 by Texas Department of Transportation. All Rights Reserved.

CSJ No. 008-14-058 CSJ No. 008-14-059 CSJ No. 014-16-194  
ALONG IH 820 FROM INTERSTATE HIGHWAY 35W TO STATE HIGHWAY 26  
PREPARED BY EARTH TECH, INC. UNDER THE SUPERVISION OF ANTHONY L. KARLINSKI, P.E., 92533  
AECOM Technical Services Inc. - 3580