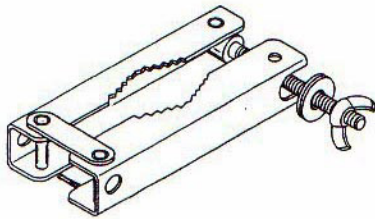
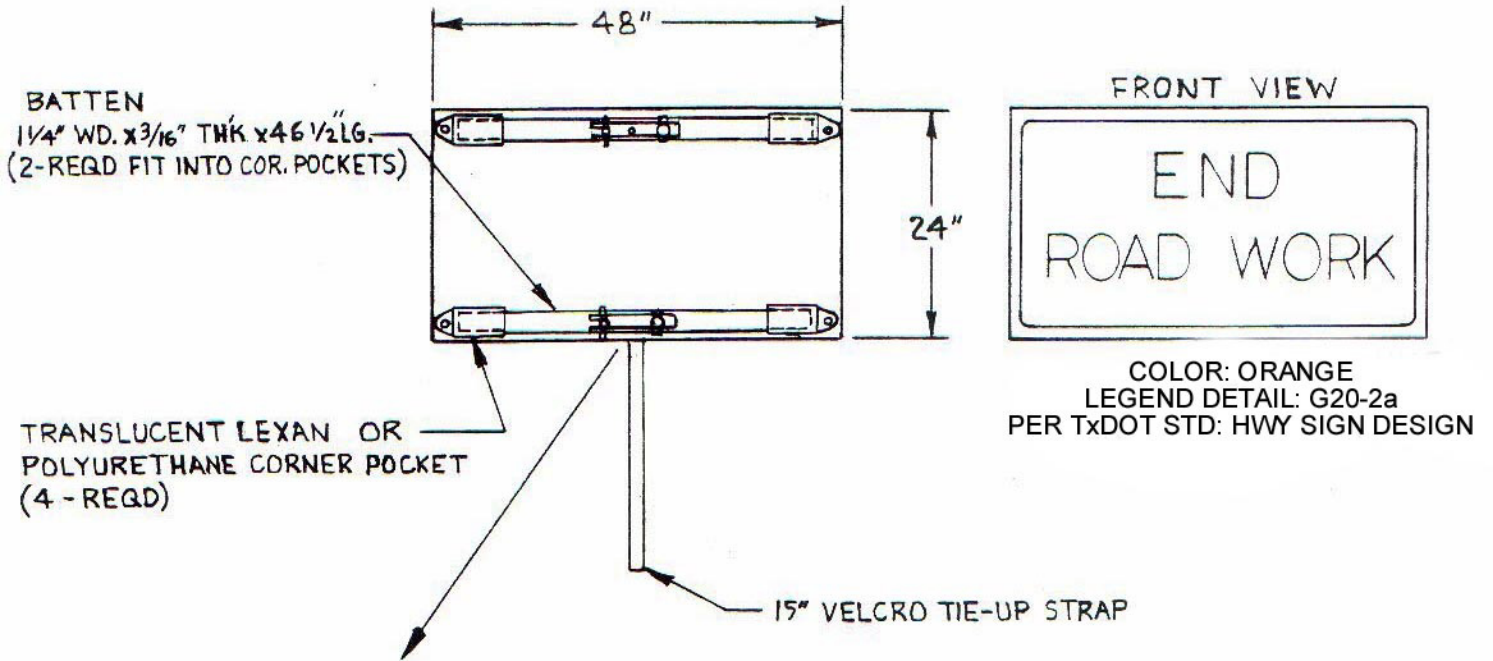


END ROAD WORK  
48 Inch x 24 Inch Horizontal Roll-up Sign  
Drawing 801-60-66-D



UNIVERSAL CLAMP  
5" x 2 1/4" x 1 1/16"  
2 REQ'D