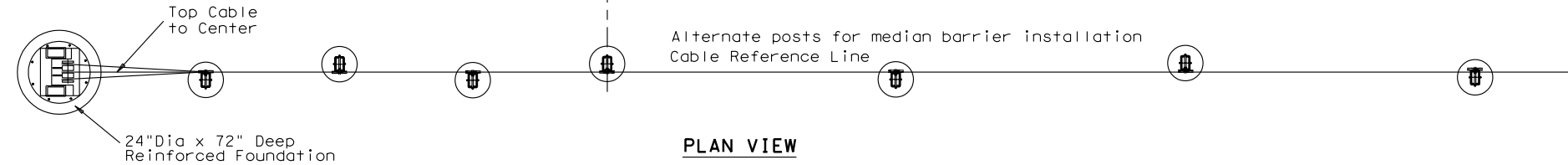
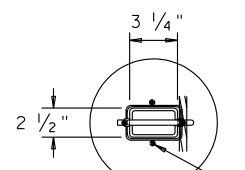
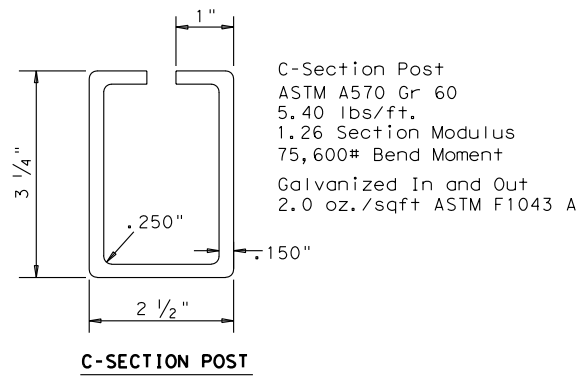
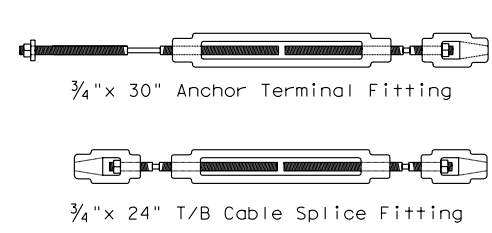
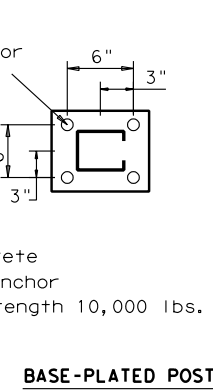


ELEVATION VIEW



PLAN VIEW

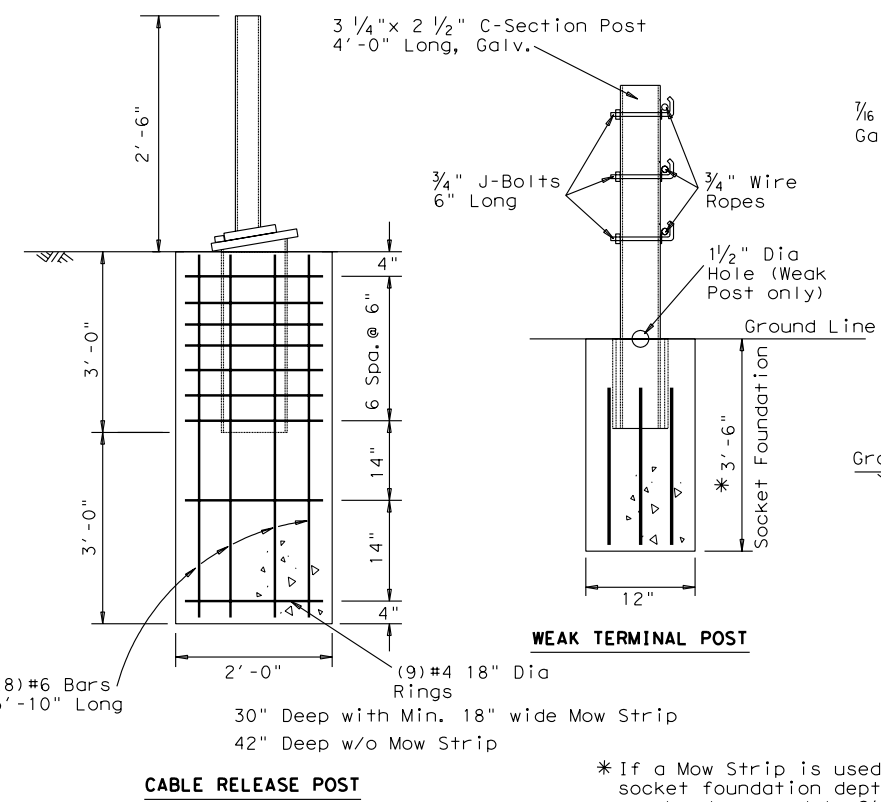


GENERAL NOTES

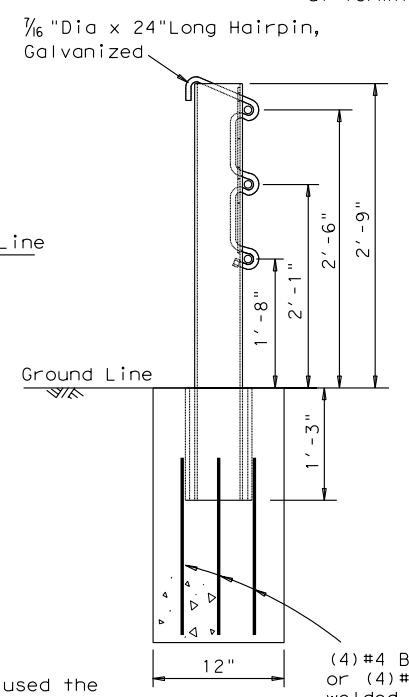
- For additional information, contact Gibraltar, Inc. at 1-800-495-8957.
- All concrete shall be class A.
- All posts shall be socketed unless otherwise specified.
- For additional information: See the manufacturer's product manual.
- For payment see special specification "Cable Barrier System".
- The GCBS system is designed for bi-directional traffic flows. See the manufacturer's product manual for placement adjacent to guardrail end treatments.
- GCBS shall be installed on median shoulders or in depressed medians with slopes of 6:1 or flatter without obstructions, depressions, etc. that may significantly affect the stability of an errant vehicle.
- GCBS may be installed on either side of the median.
- See the Texas MUTCD for proper "Barrier" delineation.
- Rock Clause: Where solid rock is encountered.
 - For socketed post, continue digging 12" dia., 15" deep into rock or the required plan depth, whichever comes first.
 - For driven post, core drill a 4" dia. hole 18" deep into rock or the required plan depth, whichever comes first.
 - For anchor post, continue digging 24" dia. hole 30" deep into rock or the required plan depth, whichever comes first.

| F | Std. Cable |
|-----|------------|
| -10 | 8800 |
| 0 | 8400 |
| 10 | 8000 |
| 20 | 7600 |
| 30 | 7200 |
| 40 | 6800 |
| 50 | 6400 |
| 60 | 6000 |
| 70 | 5600 |
| 80 | 5200 |
| 90 | 4800 |
| 100 | 4400 |
| 110 | 4000 |

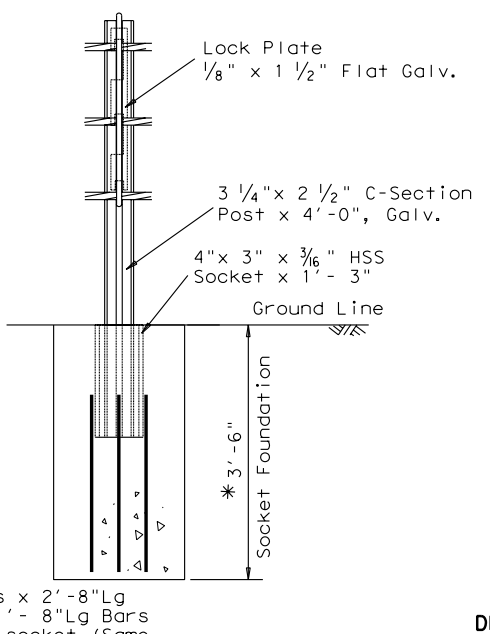
Allowable Deviation from Chart: 200 lbs/force.



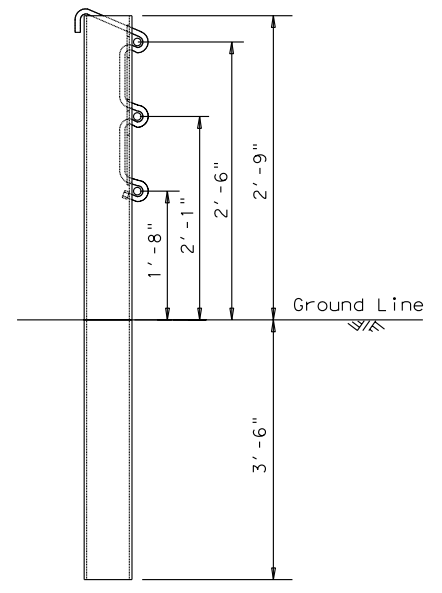
WEAK TERMINAL POST



SOCKETED LINE POST OPTION (TYPE S POST)



DRIVEN LINE POST OPTION (TYPE D POST)



| |
|------------------|
| LEVELS DISPLAYED |
| 11 |

GIBRALTAR CABLE BARRIER SYSTEM (TL-3 System) (Gibraltar Inc.)

P. E. SEAL REQUIRED
PRELIMINARY
SUBJECT TO REVISION

| | | | | |
|-----------|-----|---------------------|---------|------|
| FILE: | DN: | CK: | DW: | CK: |
| DISTRICT | | FEDERAL AID PROJECT | | |
| REVISIONS | | COUNTY | CONTROL | SECT |
| | | JOB | HIGHWAY | |