

MATCH LINE STA. 22+50

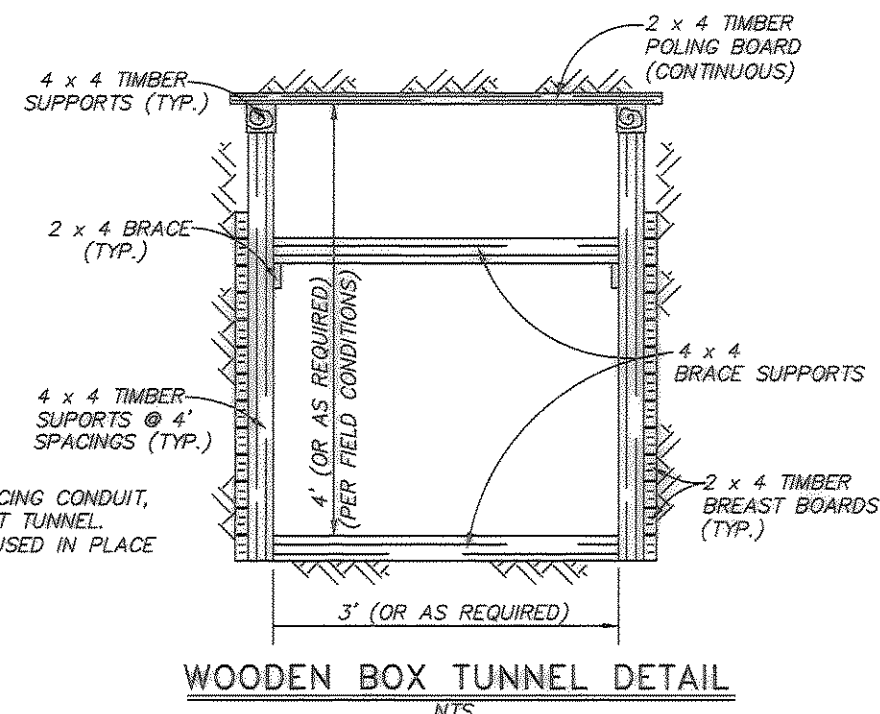
***ALL FUT. UTILITIES PER C.O.H. DWG. #36618**

Exist. M.H. #1589-T @ Sta. 19+71.89' Lt. B 11'-0" x 9'-0" x 8'-3" H.R. Vol.=817 Cu. Ft. 2'-30" F. & C.'s

Exist. M.H. #1589 @ Sta. 19+59.44' Lt. B 12'-0" x 6'-0" x 8'-0" H.R. Vol.=576 Cu. Ft. 1'-30" F. & C. Traffic Light Pole

PROP. 4-4" PVC~671' EA. (DUCTS A-D)

ALMEDA ROAD



NOTE:
1. AFTER COMPLETION OF PLACING CONDUIT, CONCRETE PRESSURE GROUT TUNNEL.
2. STEEL SUPPORTS CAN BE USED IN PLACE OF TIMBERS.

CITY OF HOUSTON
DEPARTMENT OF PUBLIC WORKS AND ENGINEERING

REVIEWED BY
 PRIVATELY FUNDED PUBLIC WORKS: *[Signature]*
 CITY FUNDED PUBLIC WORKS: *[Signature]*
 WATER: *[Signature]*
 WASTEWATER: *[Signature]*
 STORM WATER: *[Signature]*
 STREET & BRIDGE: *[Signature]*
 TRAFFIC & TRANSPORTATION: *[Signature]*

PROJECT MANAGER
 CONSTRUCTION
 CHIEF ENGINEER
 OTHER APPROVAL
 SPONSOR DEPARTMENT

CITY ENGINEER: *[Signature]* DATE: 10-4-2001

Southwestern Bell Telephone

ALMEDA ROAD @ BINZ STREET
HOUSTON, TEXAS

SCALE: PLAN 1"=20' PROFILE VERT. 1"=4' PROFILE HORZ. 1"=20'

C.P. #600-012

PREPARED BY: *[Signature]* DRAWN BY: *[Signature]* ISSUE DATE: 10/10/01

PREPARED BY CONDUIT DISTRICT: *[Signature]* U.E.I./S.D.M.

PROJECT NO. 4885010 REC REF 1066 SHEET 103

AREA NO. WK-6522 c.o. JACKSON '52' TAX DIST. HG-031

MFR# 45C

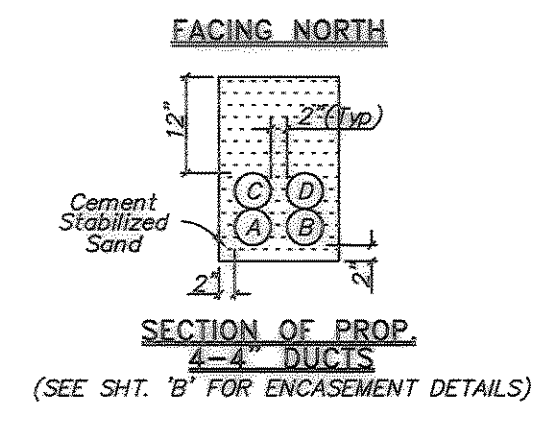
PLAC 1 TO 3

OPER. RANGE

| OPER | ACTION CODE | MAJOR MATERIAL DESCRIPTION | ACCT. CODE | ML OR AMT. | PL | BORE | REMOVALS | WORT. DATE |
|------|-------------|----------------------------|------------|------------|-------|------|----------|------------|
| 1 | PLAC | PVC-C-4" .4 | 45C | 671' | 2684' | | | |
| 2 | PLAC | PIPE-GALV-4" .2 | 45C | 69' | 138' | 62' | | |

S.W.B.T. CONTRACTOR TO BRACE & SUPPORT POLES AS NECESSARY.

AREA UNDER CONSTRUCTION CONDITIONS CHANGE DAILY S.W.B.T. CONTRACTOR SHALL COORDINATE ALL WORK W/ C.O.H. CONTRACTOR AND S.W.B.T. PERSONNEL.



BENCH MARK
T.B.M.: West Top Of Rim S.W.B.T. M.H. #1589 @ Sta. 19+59.44' Lt. B Elev.=43.61

REF BENCH MARK
C.O.H. Survey Marker No. 5356-1301 Located In Median Of Southmore On W. Side Of Alameda Road Elev.=45.38 (1973 Adj.)

F.B. #210 FILE NAME: 21029TR2-03.DWG