

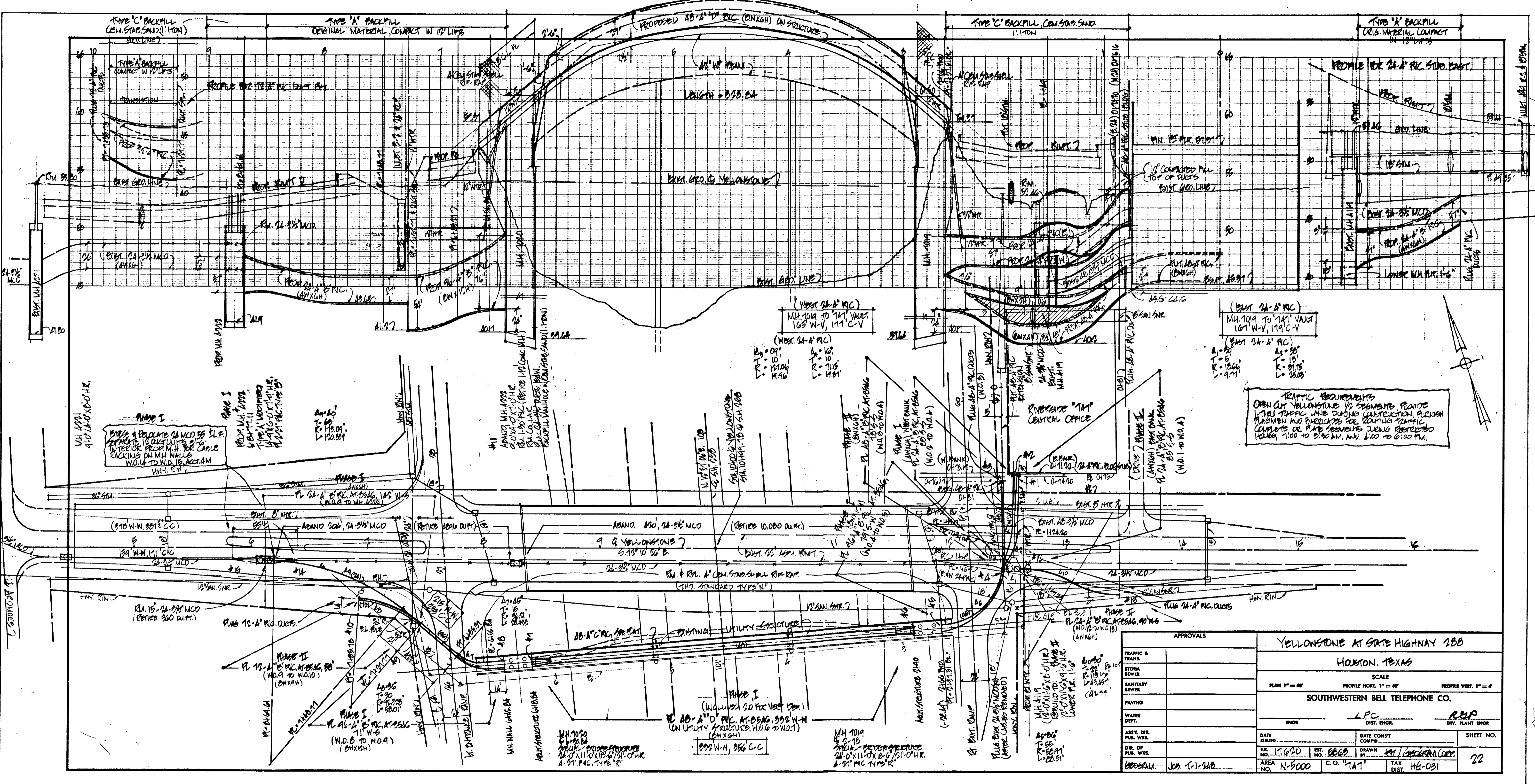
APPROVALS CITY OF HOUSTON		YELLOWSTONE - S.H. 288 HOUSTON, TEXAS	
TRAFFIC & TRANS.		SCALE	
STORM SEWER		PLAN 1" = 40'	PROFILE HORIZ. 1" = 40'
SANITARY SEWER		SOUTHWESTERN BELL TELEPHONE CO.	
PAVING		ENGR.	DIV. PLANT ENGR.
WATER DEPT.		DATE ISSUED	DATE CONST. COMPD.
ASST. DIR. PUB. WKS.		E.R. NO. 17620	EST. NO. 5863
DIR. OF PUB. WKS.		DRAWN BY R.P.D. Jr.	
		AREA NO. N-6000	C.O. 747
		TAX DIST. HG-031	SHEET NO. 1

12-A 10'S-S

16-A 10'S-W

4B-A 221' W-W, 239' C-C

RIV-B-2

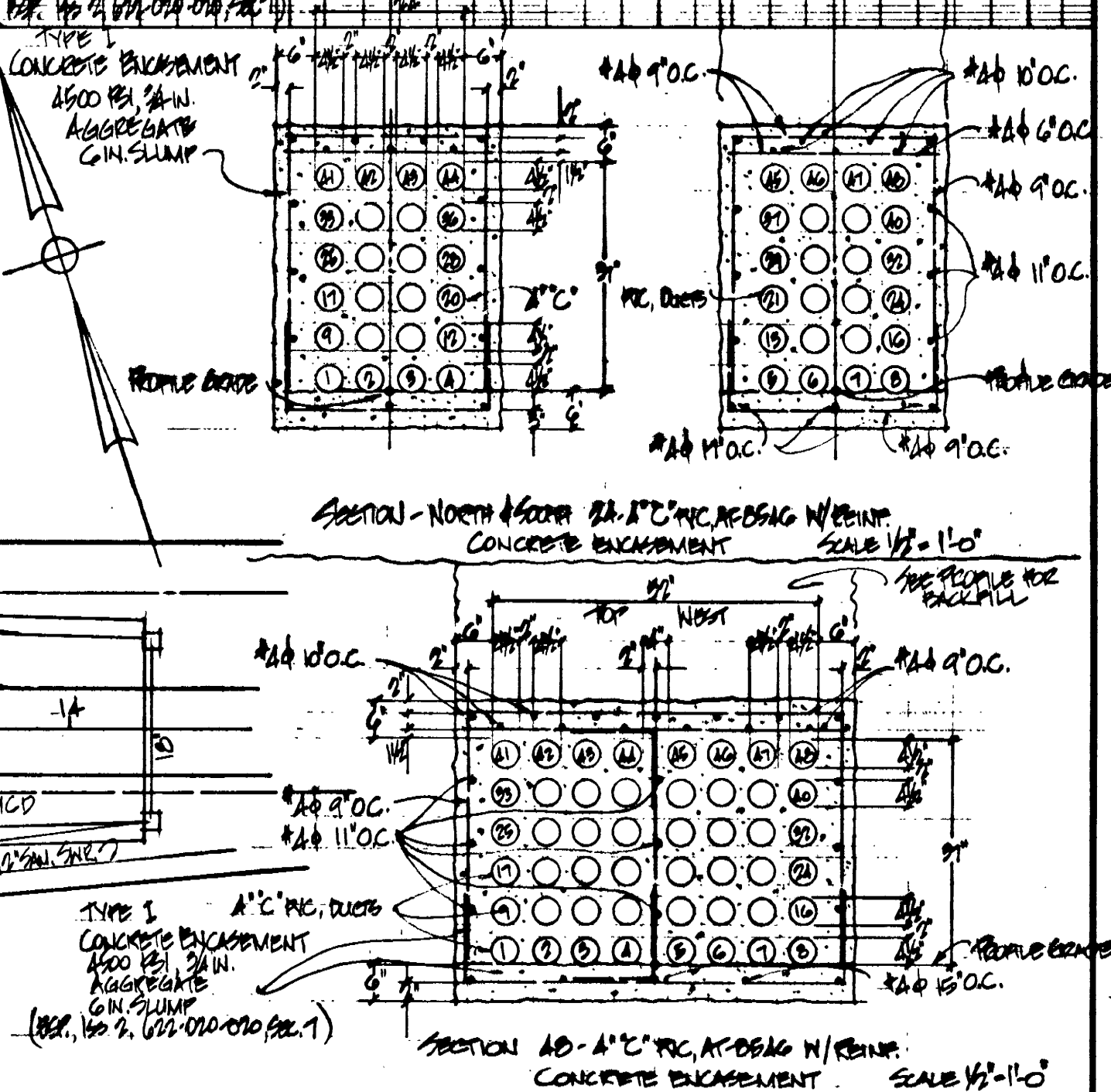
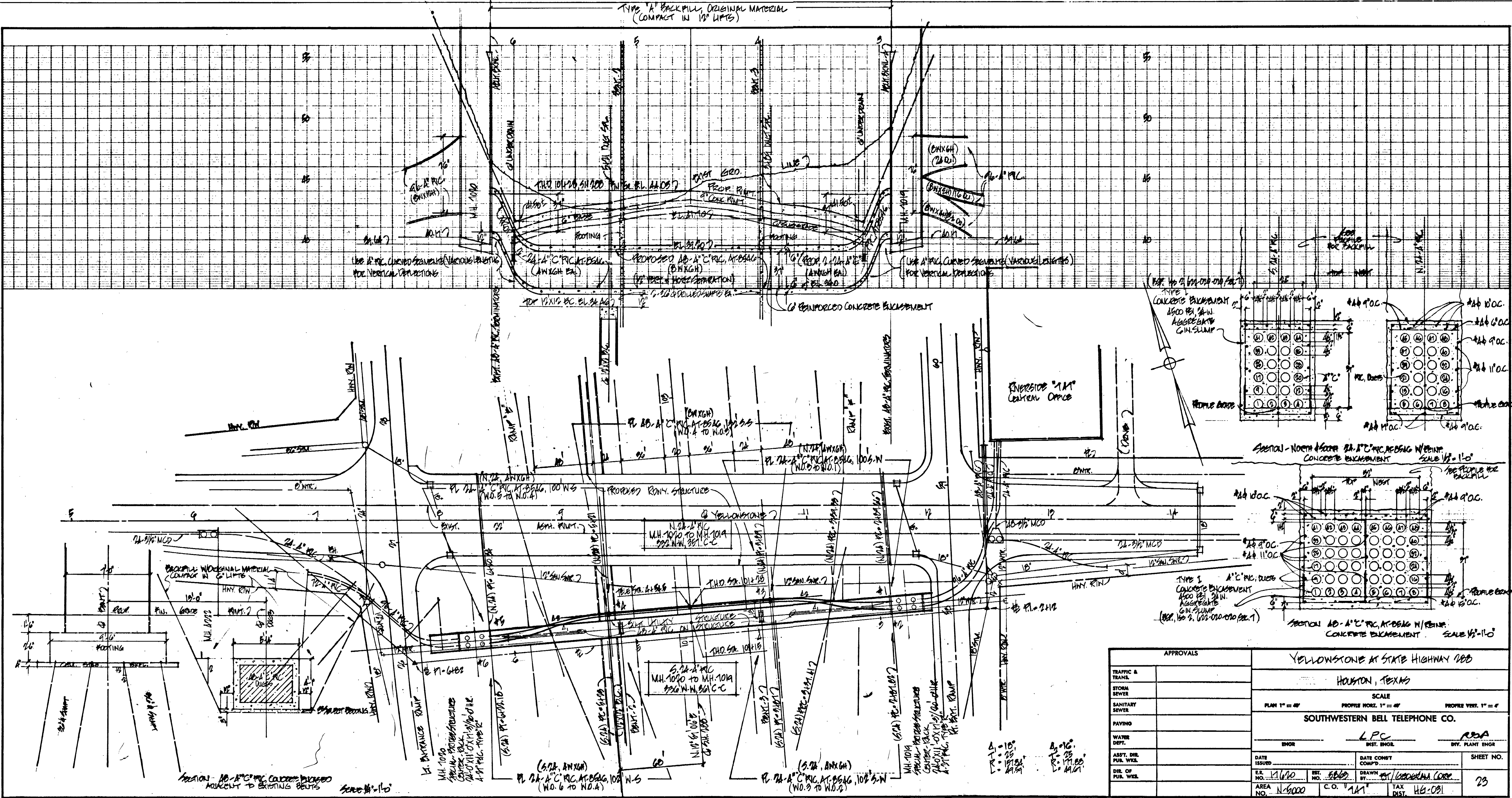


PHASE I  
 DUCTS & ENCASED M.C.O. BY S.L.P.  
 PLACE IN DUCT WITH 2" OF  
 SPACE FROM M.H. FOR CABLE  
 BACKING ON M.H. WALLS  
 W.O. 1/2" TO W.O. 1/2" ACC. AM  
 HWY. CTR.

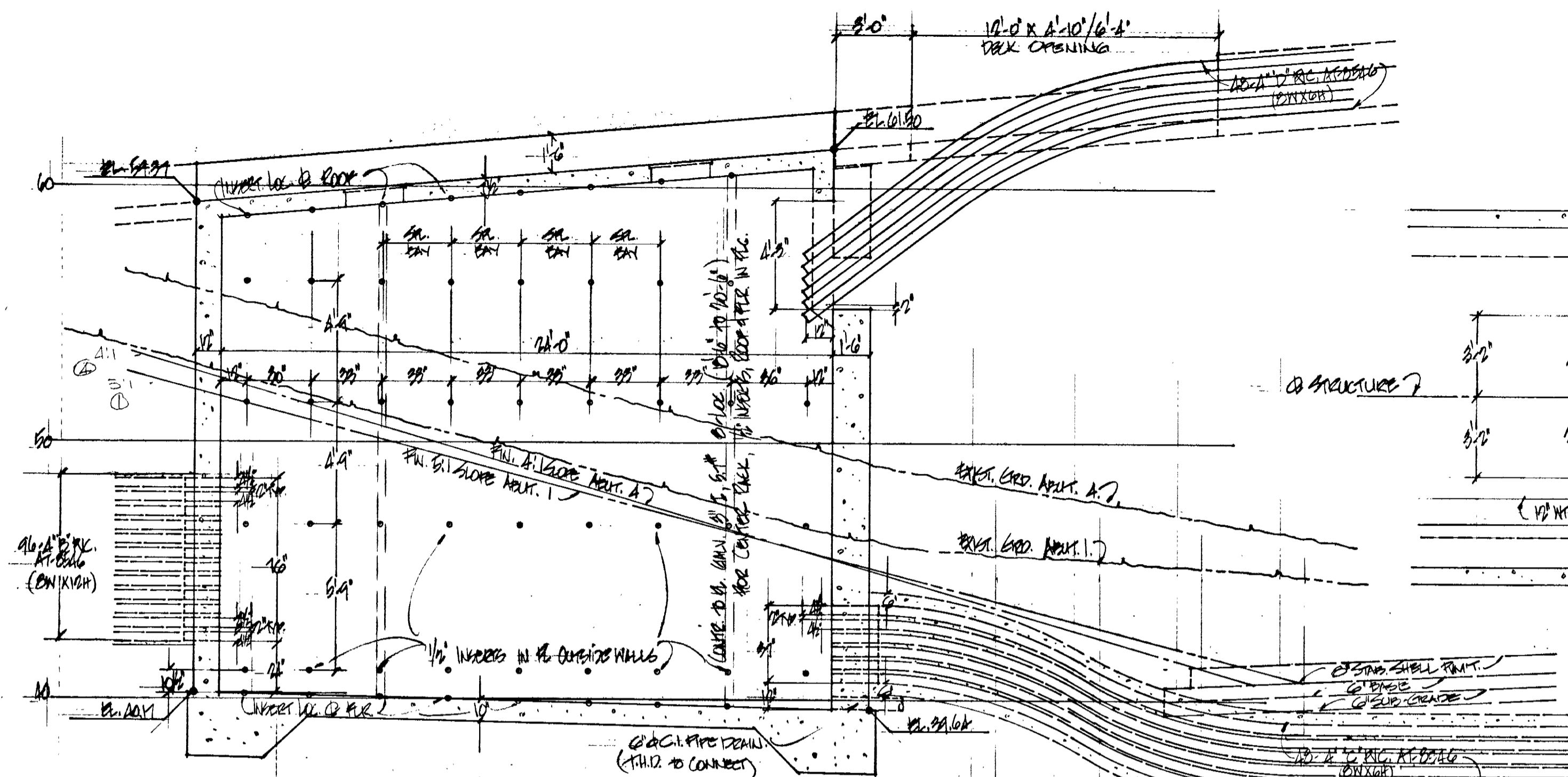
PHASE I  
 ABAND. MH. 1022  
 4'-0" DIA. 2'-0" H.R.  
 4'-0" DIA. 2'-0" H.R.  
 4'-0" DIA. 2'-0" H.R.  
 4'-0" DIA. 2'-0" H.R.  
 4'-0" DIA. 2'-0" H.R.

TRAFFIC REQUIREMENTS  
 OPEN CUT YELLOWSTONE VS. PAVEMENT. PROVIDE  
 1-THEE TRAFFIC LANE DURING CONSTRUCTION, FURNISH  
 FLAGMEN AND BARRICADES FOR ROUTING TRAFFIC  
 COMPLETE OR PLACE SEEMENTS DURING RESTRICTED  
 HOURS, 7:00 TO 9:30 AM, AND 4:00 TO 6:00 PM.

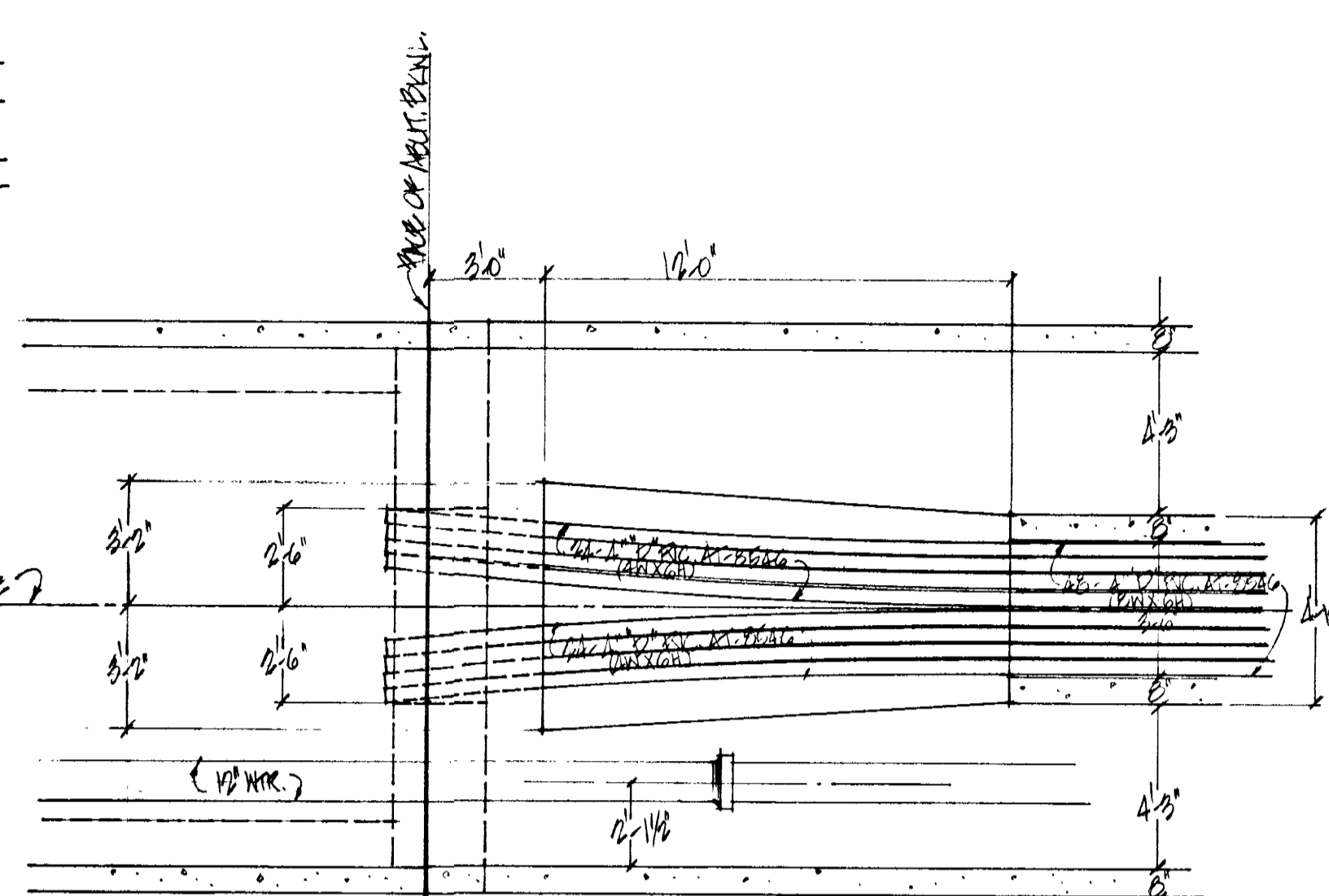
APPROVALS		YELLOWSTONE AT STATE HIGHWAY 288 HOUSTON, TEXAS			
TRAFFIC & TRANS.		SCALE			
STORM SEWER		PLAN 1" = 40'	PROFILE HORIZ. 1" = 40'	PROFILE VERT. 1" = 4'	
SANITARY SEWER		SOUTHWESTERN BELL TELEPHONE CO.			
PAYING		ENGR	LPC	ENGR	RUP
WATER DEPT.		DATE ISSUED	DATE CONST.	SHEET NO.	
ASST. DIR. PUB. WKS.		NO. 11620	NO. 8868	22	
DIR. OF PUB. WKS.		AREA NO.	C.O. NO.	TAX DIST.	
PROJECT MGR.	JOE T. LAB	N-9000	1711	HG-031	



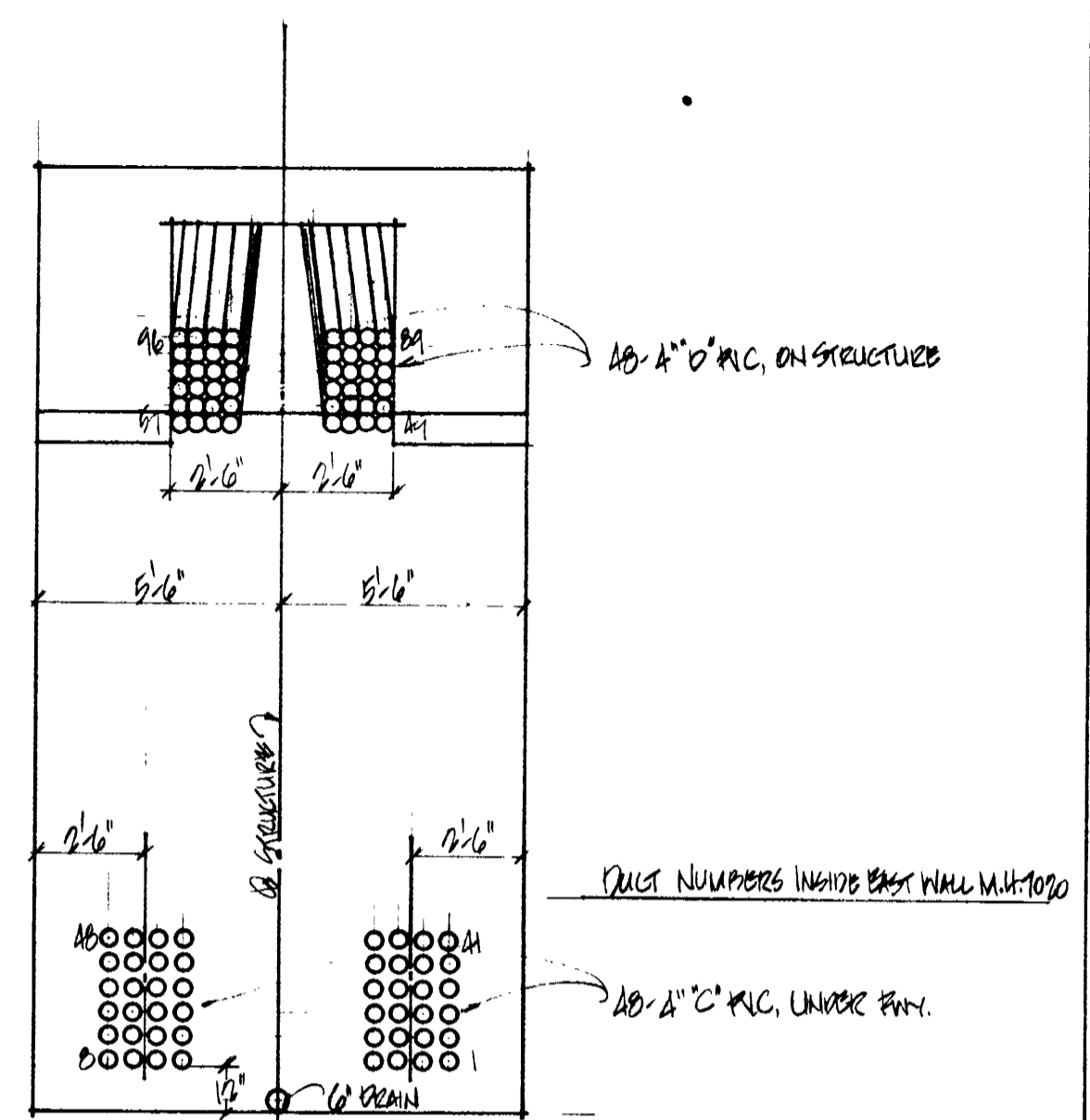
APPROVALS			YELLOWSTONE AT STATE HIGHWAY 900		
TRAFFIC & TRANS.			HOUSTON, TEXAS		
STORM SEWER			SCALE		
SANITARY SEWER			PLAN 1" = 40'	PROFILE HORIZ. 1" = 40'	PROFILE VERT. 1" = 4'
PAVING			SOUTHWESTERN BELL TELEPHONE CO.		
WATER DEPT.			LPC		
ASST. DIR. PUB. WKS.			BY: PLANT ENGR.		
DIR. OF PUB. WKS.					
DATE ISSUED	DATE CONST. COMP.		SHEET NO.		
E.R. NO. 11600	EST. NO. 5880	DRAWN BY: J. WOODRUFF	23		
AREA NO. N-6000	C.O. 111	TAX DIST. HG-031			



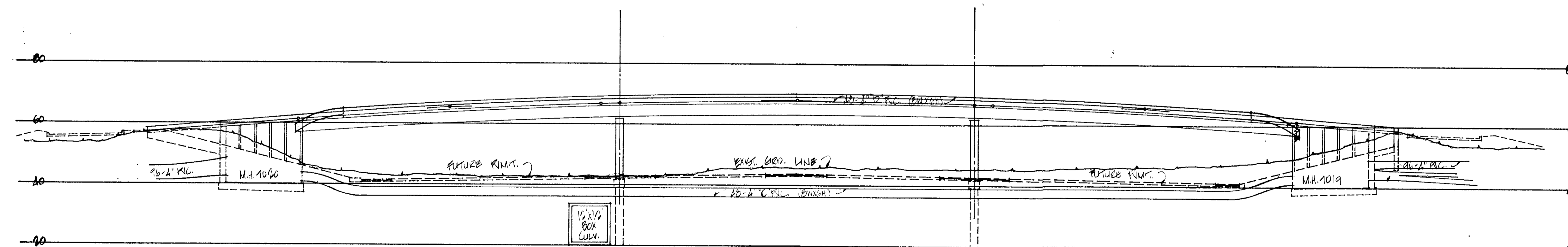
ELEVATION MANHOLE 1090  
MANHOLE 1019 (OPPOSITE HAND)  
SCALE 1/2"=1'-0"



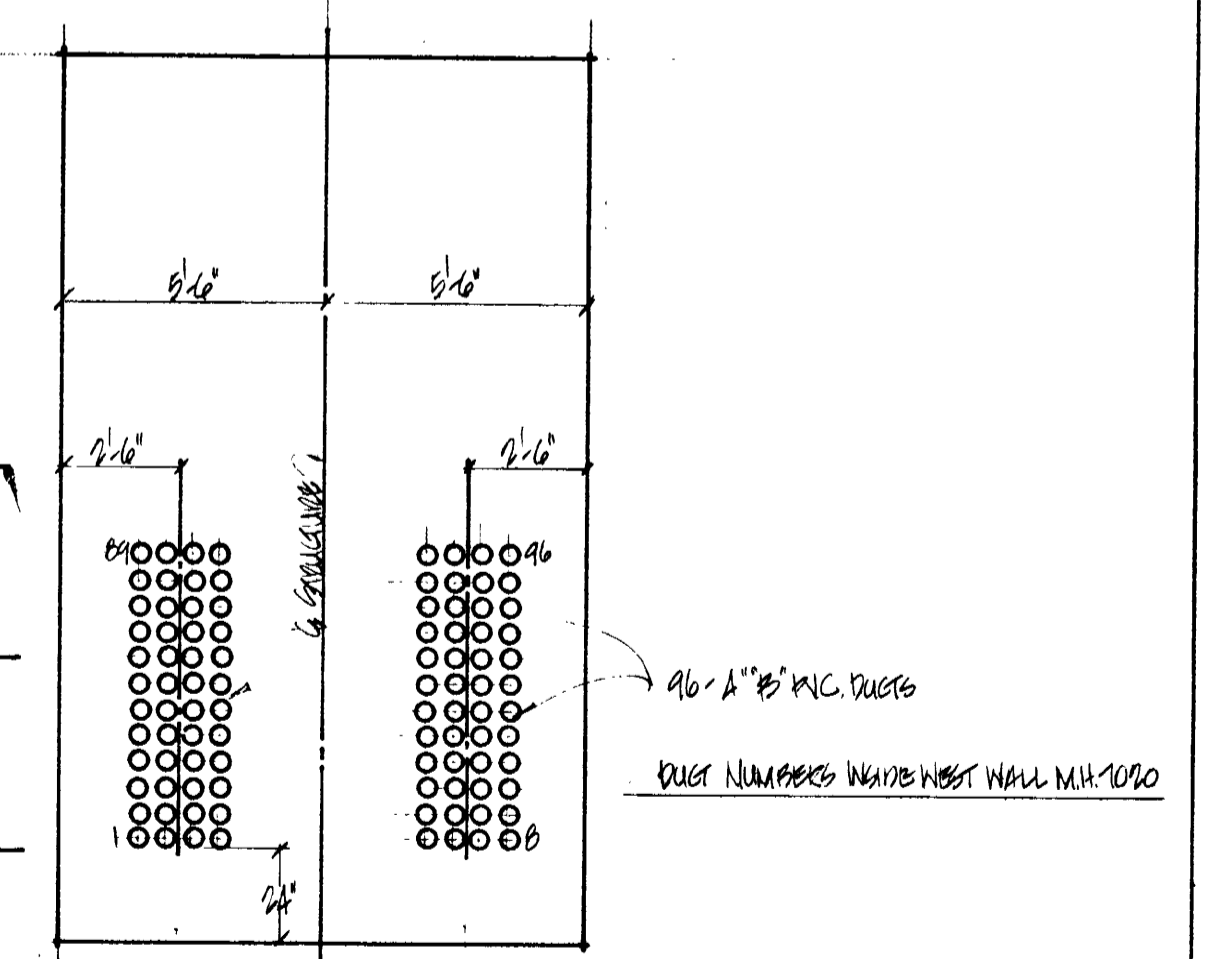
PLAN - DUCT OPENING - ADJACENT MANHOLE 1090  
MANHOLE 1019 (OPPOSITE HAND)  
SCALE 1/2"=1'-0"



ELEVATION INSIDE EAST WALL M.H. 1090  
" " WEST " M.H. 1019  
SCALE 1/2"=1'-0"



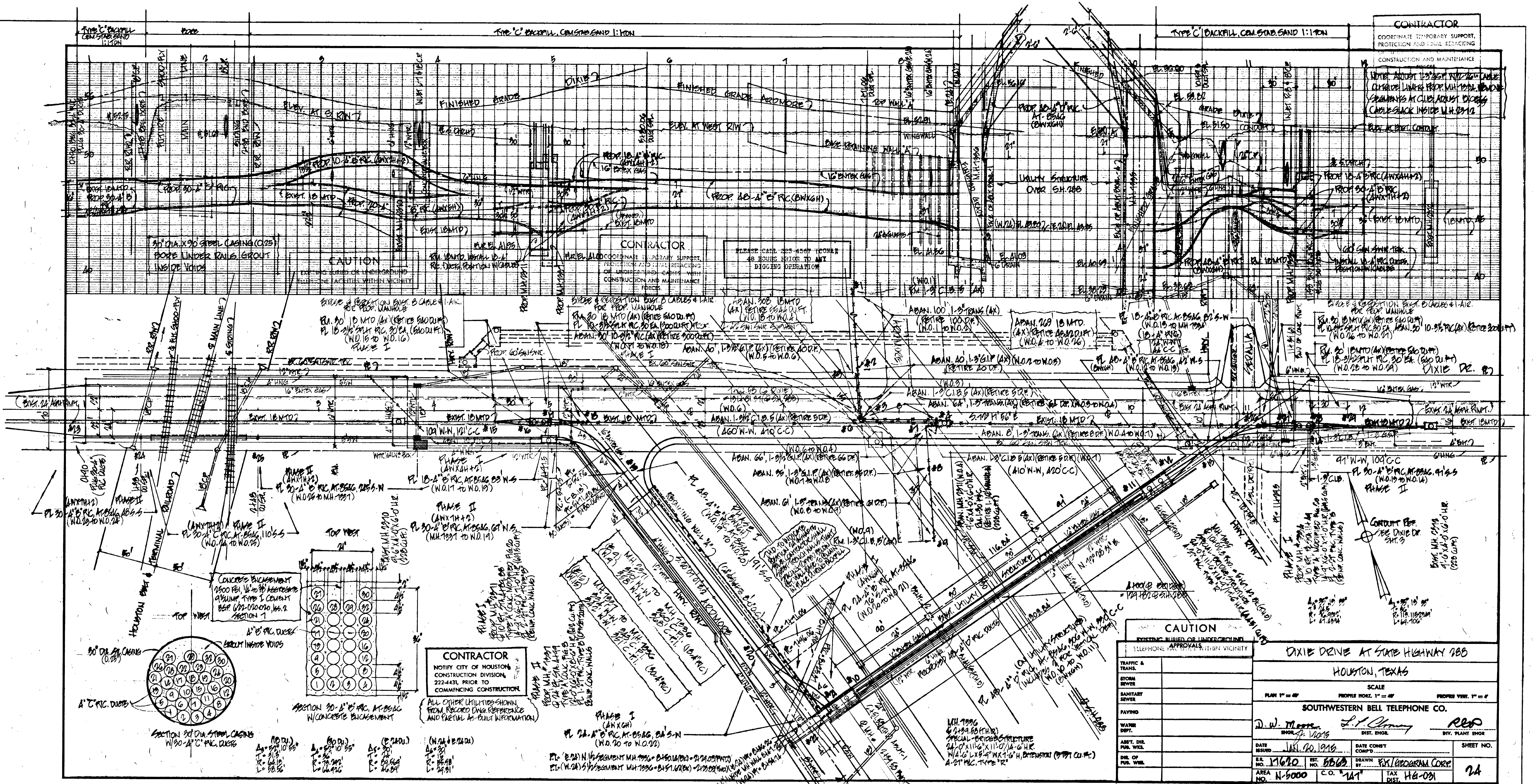
ELEVATION YELLOWSTONE UTILITY STRUCTURE  
OVER STATE HIGHWAY 208  
WITH PROPOSED 48" P.C. DUCTS ON STRUCTURE & 48" P.C. DUCTS UNDER R.W. I.  
SCALE 1"=20' HORIZ. & VERT.



ELEVATION INSIDE WEST WALL M.H. 1090  
" " EAST " M.H. 1019  
SCALE 1/2"=1'-0"



**CONTRACTOR**  
 COORDINATE TEMPORARY SUPPORT,  
 PROTECTION AND FINAL BACKFILL  
 OF EXISTING UNDERGROUND  
 CONSTRUCTION AND MAINTENANCE



**CAUTION**  
 EXISTING BURIED OR UNDERGROUND  
 UTILITIES FACILITIES WITHIN VICINITY

**CONTRACTOR**  
 COORDINATE TEMPORARY SUPPORT,  
 PROTECTION AND FINAL BACKFILL  
 OF EXISTING UNDERGROUND  
 CONSTRUCTION AND MAINTENANCE

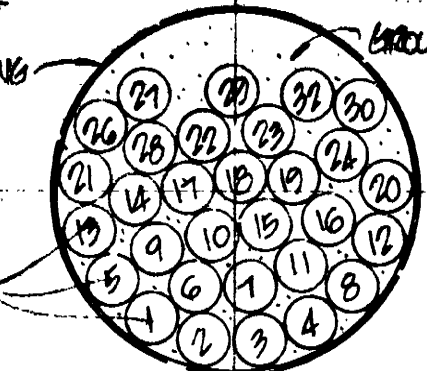
PLEASE CALL 225-4431 (COMMON)  
 48 HOURS PRIOR TO ANY  
 DIGGING OPERATION

**CAUTION**  
 EXISTING BURIED OR UNDERGROUND  
 UTILITIES FACILITIES WITHIN VICINITY

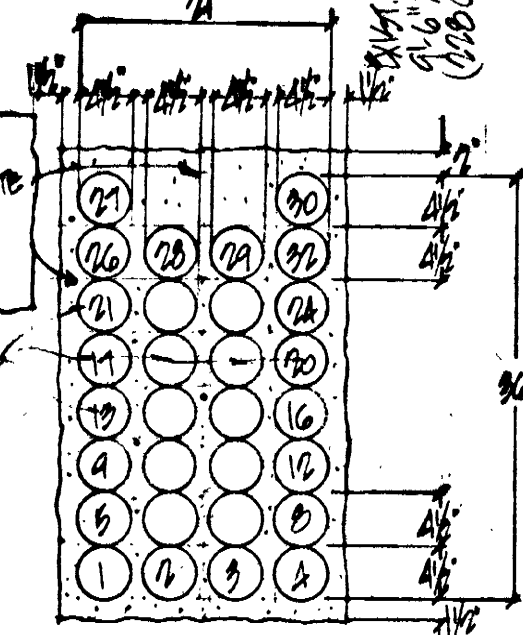
TRAFFIC & TRANS.		DIXIE DRIVE AT STATE HIGHWAY 788	
STORM SEWER		HOUSTON, TEXAS	
SANITARY SEWER		SCALE	
PAYING		PLAN 1" = 40'	PROFILE HORIZ. 1" = 4'
WASTE DEPT.		SOUTHWESTERN BELL TELEPHONE CO.	
ASST. DIR. PUB. WKS.		D. W. Moore	L. J. Cherry
DIR. OF PUB. WKS.		ENGR.	DIST. ENGR.
DATE REVD.	JUN 20 1915	DATE CONST. COMP.	
NO. 11610	REV. 5566	DRAWN BY	F. J. PROGRAM CORP.
AREA NO. N-5000	C.O. 141	TAX DIST.	HG-091

APPROVED BY TEXAS HIGHWAY DEPARTMENT  
 [Signature] DATE 1-21-75

RIV-G-7



SECTION 30" DIA. STEEL CASING  
 W/ 30" A-C P.C. DUES



SECTION 30" DIA. STEEL CASING  
 W/ CONCRETE ENCASUREMENT

**CONTRACTOR**  
 NOTIFY CITY OF HOUSTON  
 CONSTRUCTION DIVISION  
 222-4431, PRIOR TO  
 COMMENCING CONSTRUCTION

ALL OTHER UTILITIES SHOWN  
 FROM RECORD DWS, REFERENCE  
 AND PARTIAL AS-BUILT INFORMATION

**PHASE I**  
 (ANX XGH)  
 PL 24" A-C P.C. AT 0546, 04 S-N  
 (W.O. 90 TO W.O. 92)

PL 18" A-C P.C. AT 0546, 04 S-N  
 (W.O. 90 TO W.O. 92)

**PHASE II**  
 (ANX XGH)  
 PL 30" A-C P.C. AT 0546, 04 S-N  
 (MH. 1997 TO W.O. 19)

**PHASE II**  
 (ANX XGH)  
 PL 18" A-C P.C. AT 0546, 04 S-N  
 (W.O. 11 TO W.O. 19)

**PHASE I**  
 (ANX XGH)  
 PL 18" A-C P.C. AT 0546, 04 S-N  
 (W.O. 16 TO W.O. 16)

**PHASE I**  
 (ANX XGH)  
 PL 18" A-C P.C. AT 0546, 04 S-N  
 (W.O. 16 TO W.O. 16)

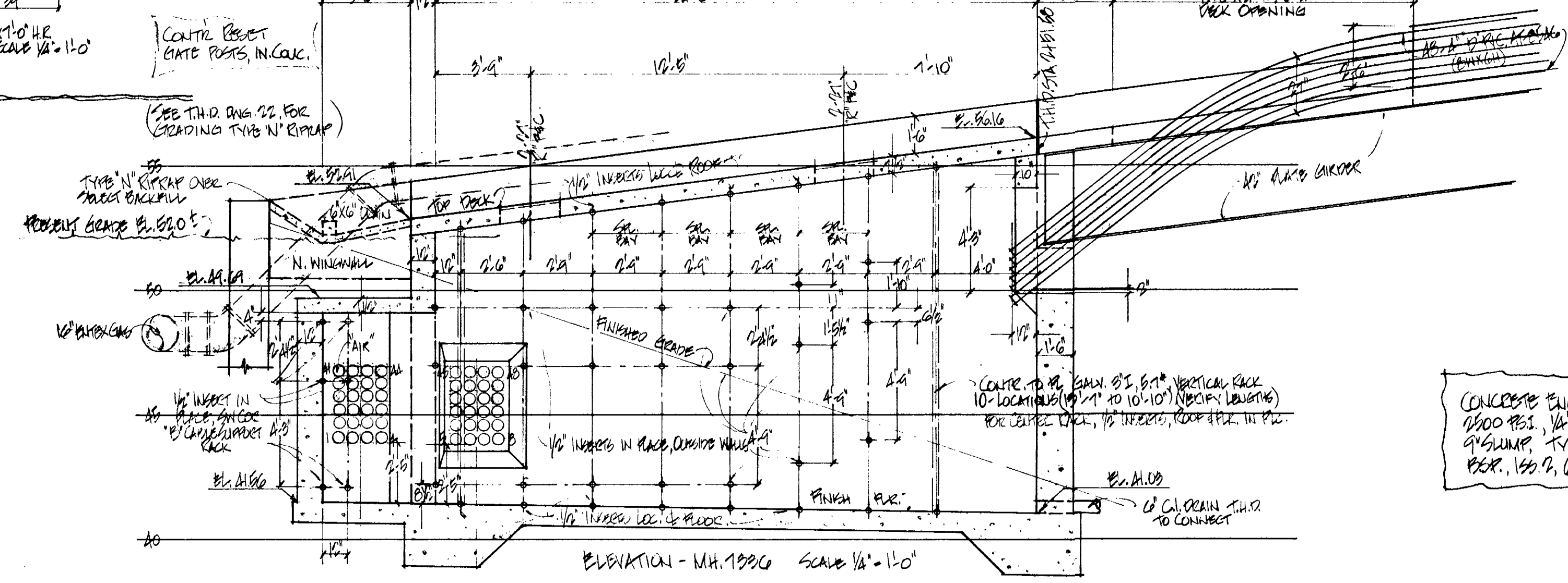
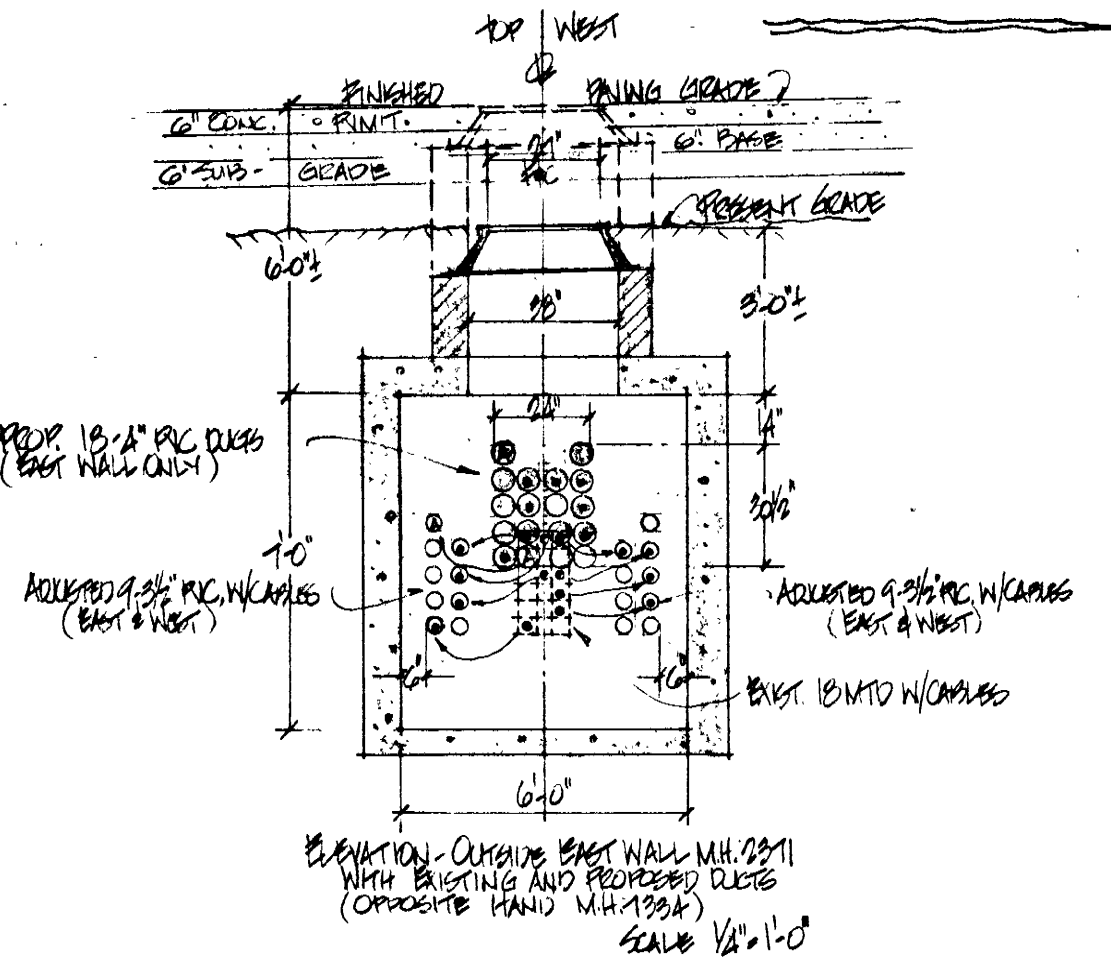
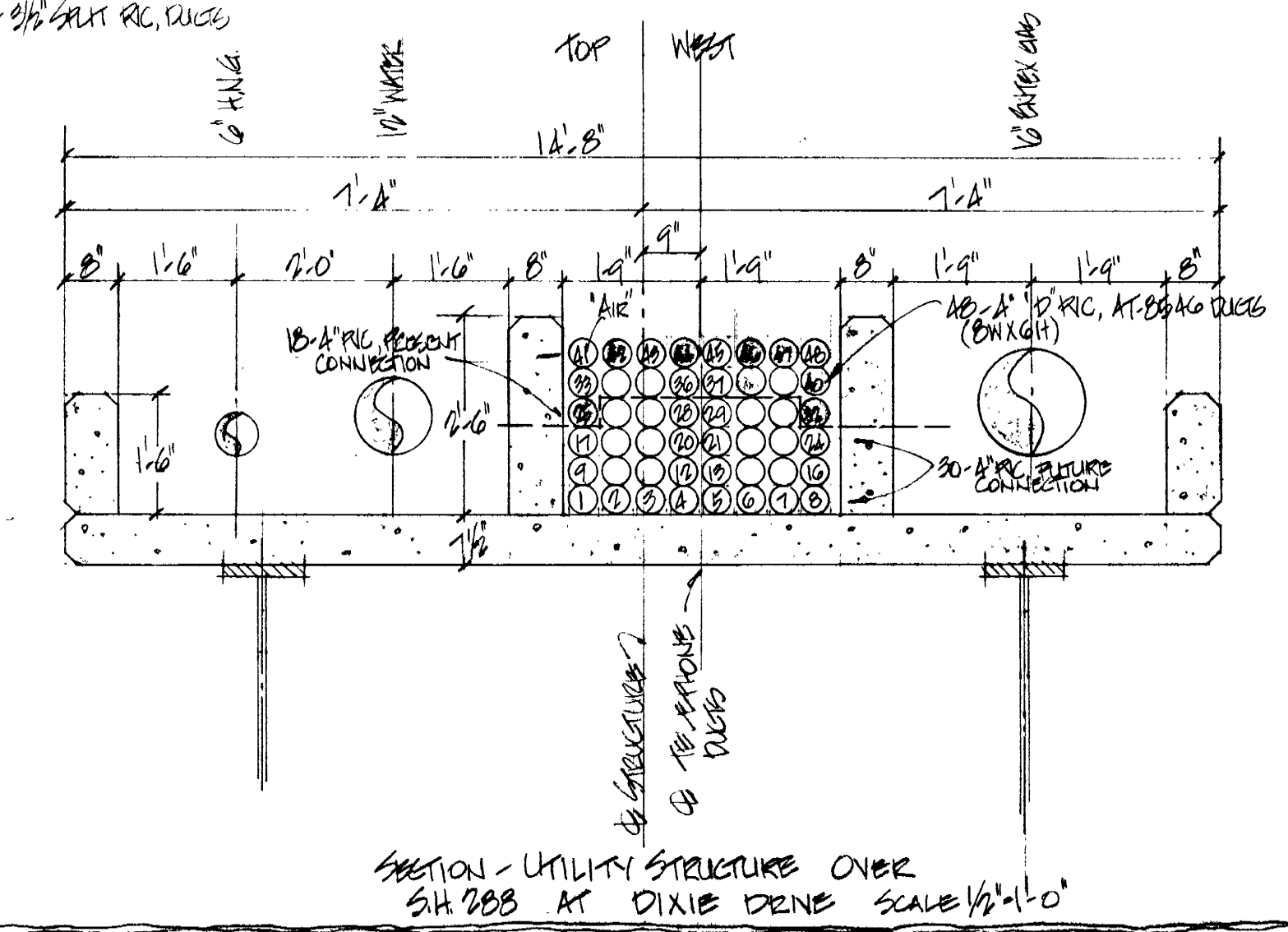
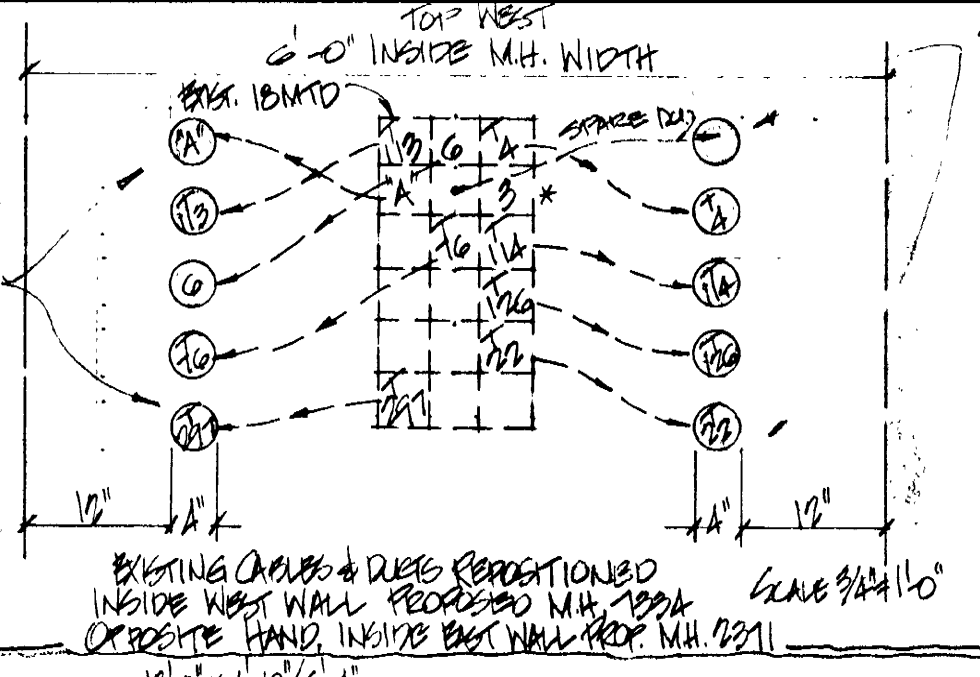
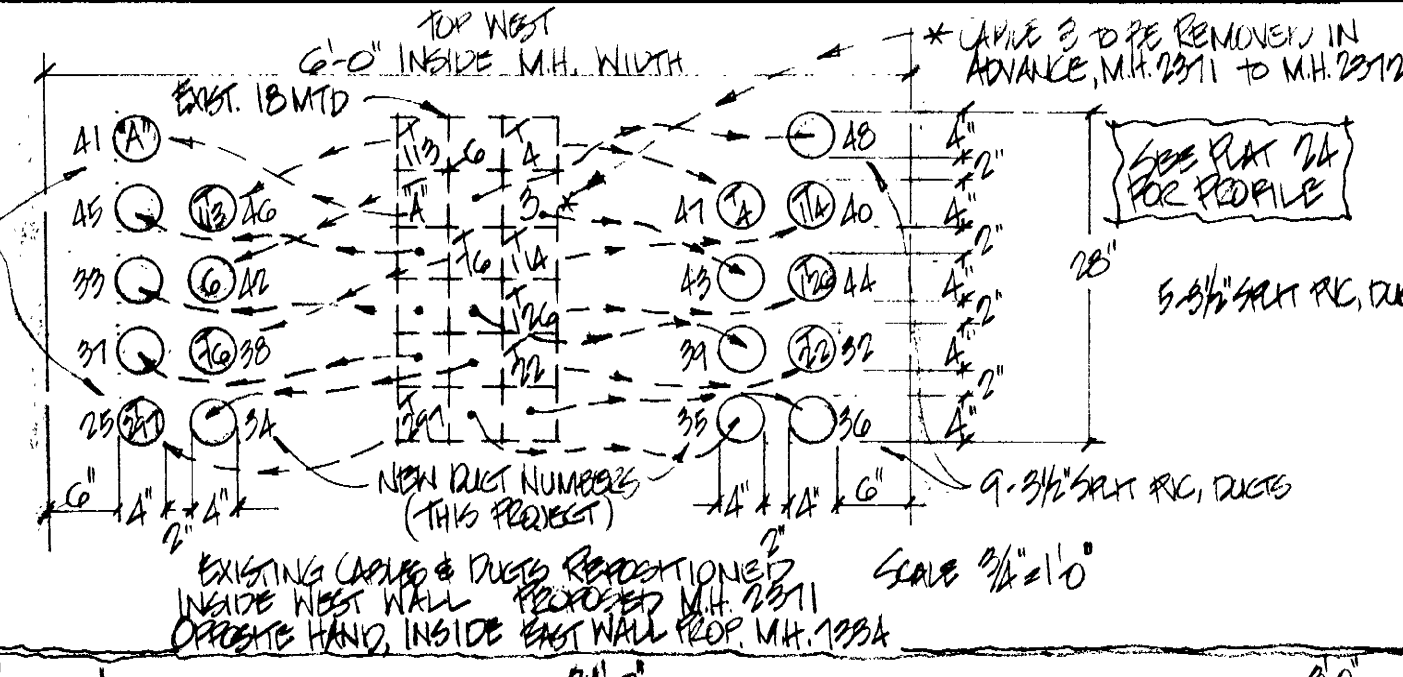
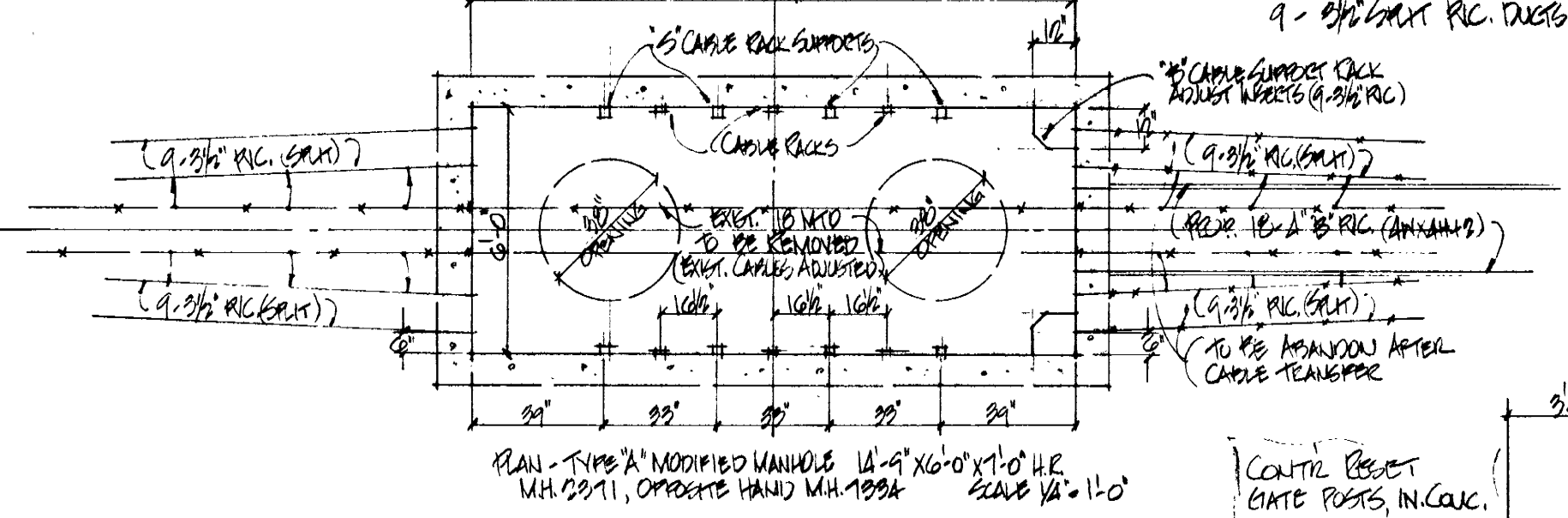
**PHASE I**  
 (ANX XGH)  
 PL 18" A-C P.C. AT 0546, 04 S-N  
 (W.O. 16 TO W.O. 16)

**PHASE I**  
 (ANX XGH)  
 PL 18" A-C P.C. AT 0546, 04 S-N  
 (W.O. 16 TO W.O. 16)

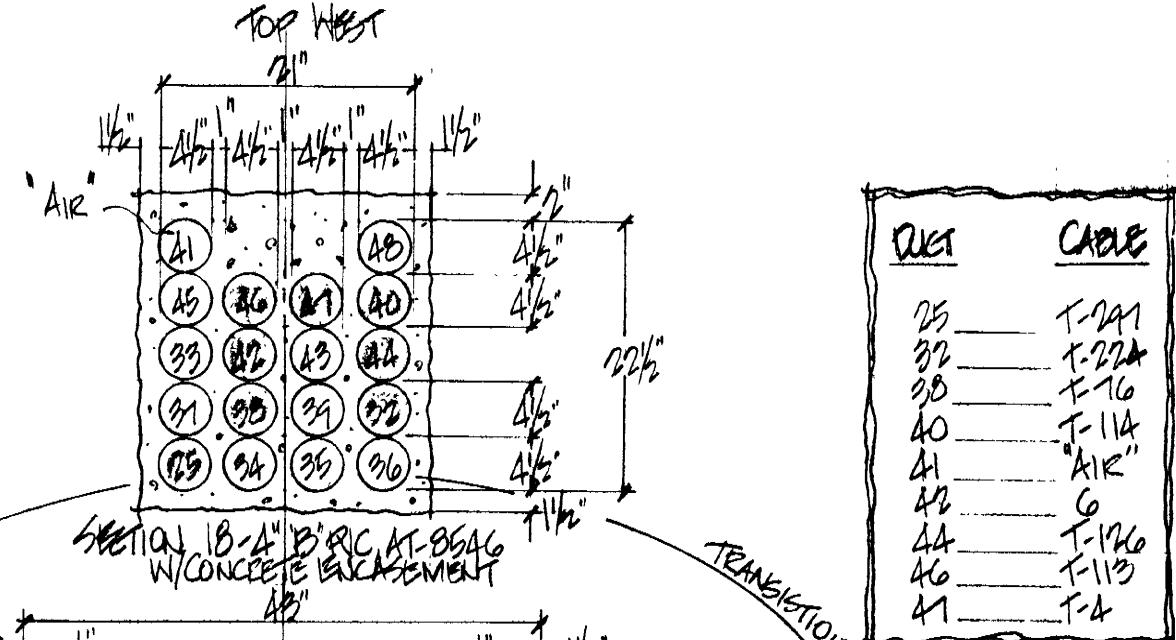
**PHASE I**  
 (ANX XGH)  
 PL 18" A-C P.C. AT 0546, 04 S-N  
 (W.O. 16 TO W.O. 16)

USE 3" CEN. STR. SAND (1:1) ENCASEMENT W/ 1" VERT. & HORIZ. SEPARATION 2" - 4" SPACED P.C. ADJUSTED DUCTS USE SQUARE EDGE ADAPTOR FOR 18" MTD CONNECTION.

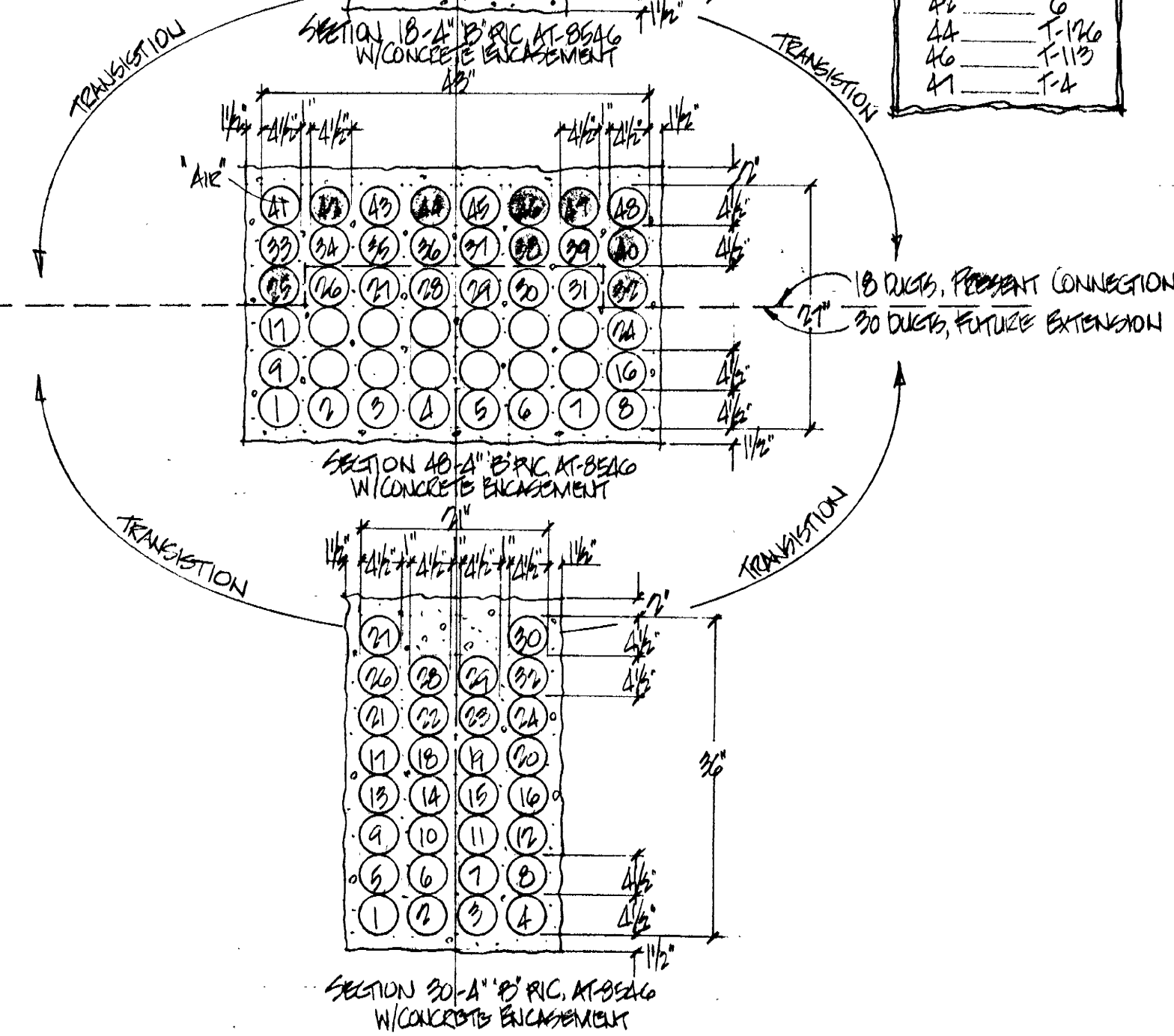
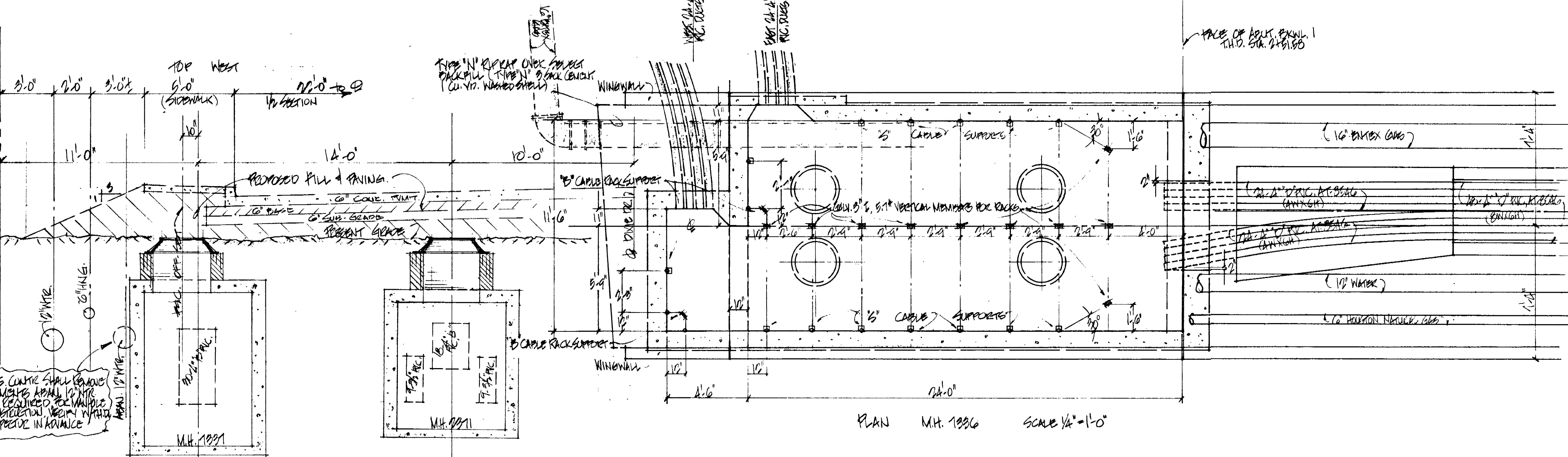
NOTE: EXISTING 18" MTD TO BE REMOVED, CABLE TO BE POSITIONED WITH SPLIT RC DUCTS IN ADVANCE OF MANHOLE CONSTRUCTION



CONCRETE ENCASEMENT - 4" 15' RC, 1500 PSI, 1/4" TO 3/8" REBAR/STAKE 4" SLUMP, TYPE I CEMENT PER. 150 P, 600-030-031, SECTION 1



DUCT	CABLE
25	T-241
32	T-274
38	T-116
40	T-114
41	AIR
42	G
44	T-116
46	T-113
47	T-4



PARTIAL SECTION - DIXIE DR. AT AROUND NE W/ PROPOSED PAVING SECTION & NEW TELEPHONE MANHOLES SCALE 1/4" = 1'-0"

