

MAIN AND SUBSIDIARY CONDUIT

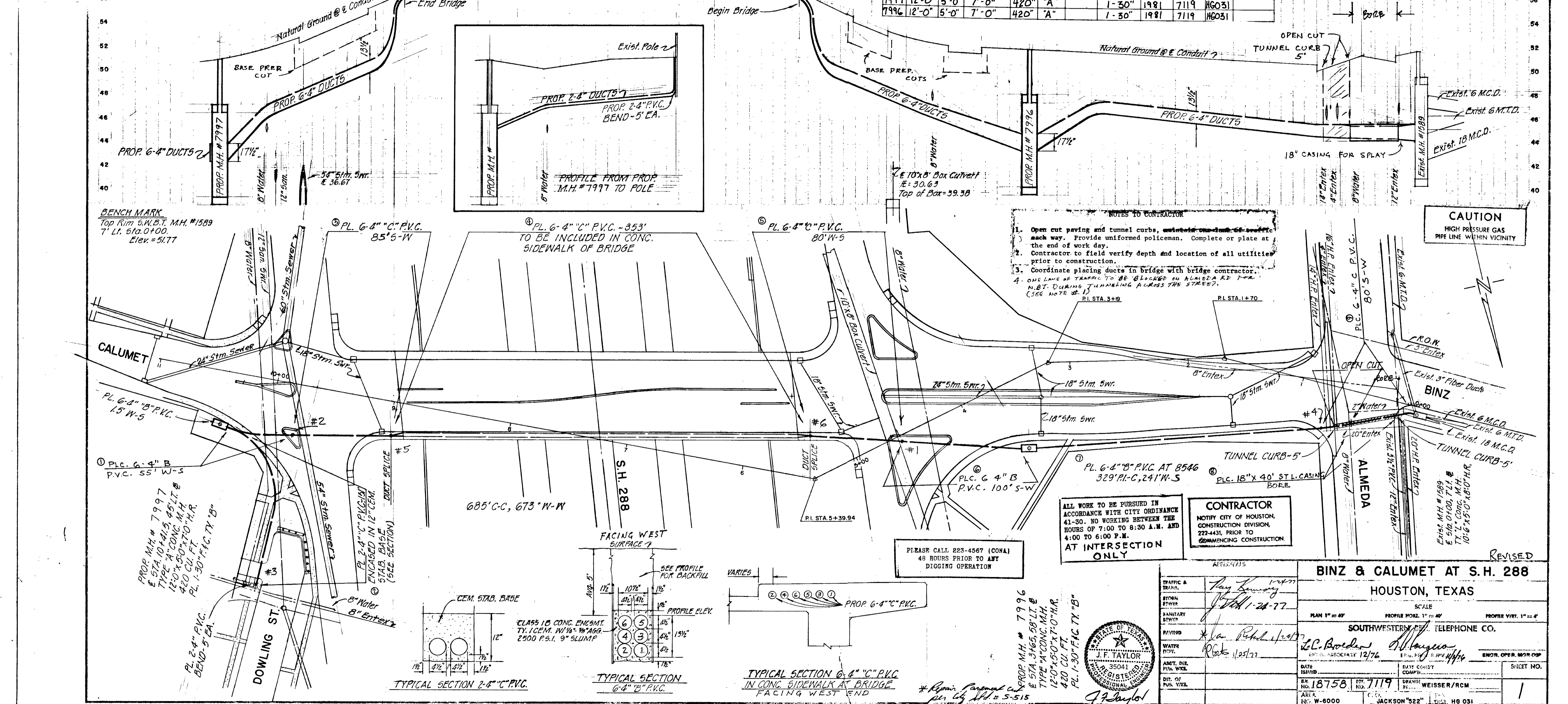
REF.	LENGTH (FT.)	NUMBER OF DUCTS	TYPE AND MATERIAL	SIZE (IN)	YEAR PLACED	ORDER NO.	TAX DISTRICT	REMARKS
1	330	6	P.V.C.	4"	1981	7119	HG031	
2	302	2	P.V.C.	4"	1981	7119	HG031	
3	510	6	P.V.C.	4"	1981	7119	HG031	BACKFILL
4	2118	6	P.V.C.	4"	1981	7119	HG031	
5	480	6	P.V.C.	4"	1981	7119	HG031	
6	600	6	P.V.C.	4"	1981	7119	HG031	

MAIN AND SUBSIDIARY CONDUIT

REF.	LENGTH (FT.)	NUMBER OF DUCTS	TYPE AND MATERIAL	SIZE (IN)	YEAR PLACED	ORDER NO.	TAX DISTRICT	REMARKS
7	1446	6	P.V.C.	4"	1981	7119	HG031	
8	40	1	STL. CASING	18"	1981	7119	HG031	
9	480	6	P.V.C.	4"	1981	7119	HG031	

MANHOLES

M.H. IDENT	INSIDE DIMENSIONS	VOL CU FT	TYPE	PRCST	COLLAR & COVER	YEAR PLACED	ORDER NO	TAX DIST	REMARKS
7997	12'-0" 5'-0" 7'-0"	420'	"A"		1-30"	1981	7119	HG031	
7996	12'-0" 5'-0" 7'-0"	420'	"A"		1-30"	1981	7119	HG031	

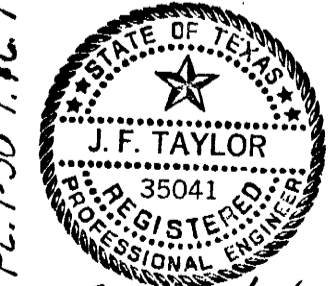
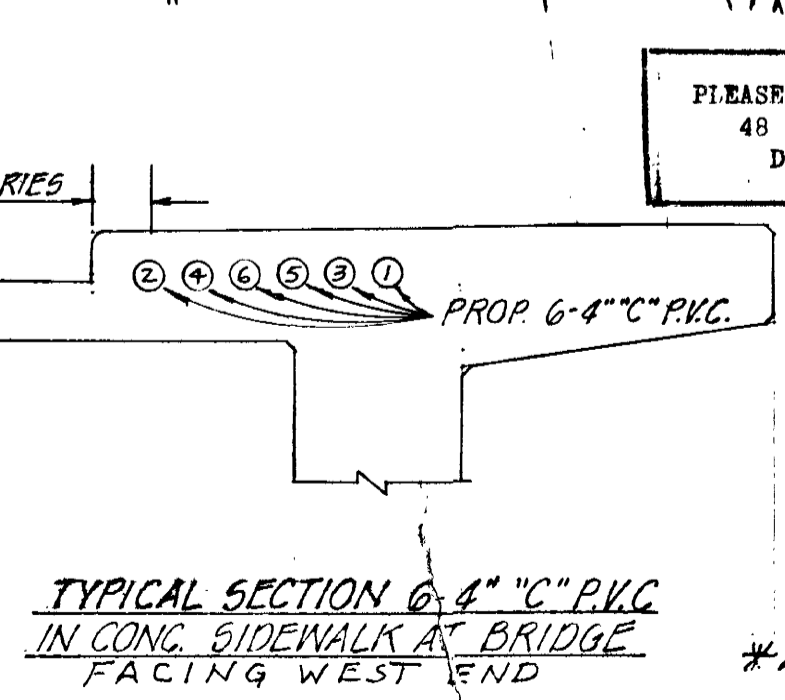
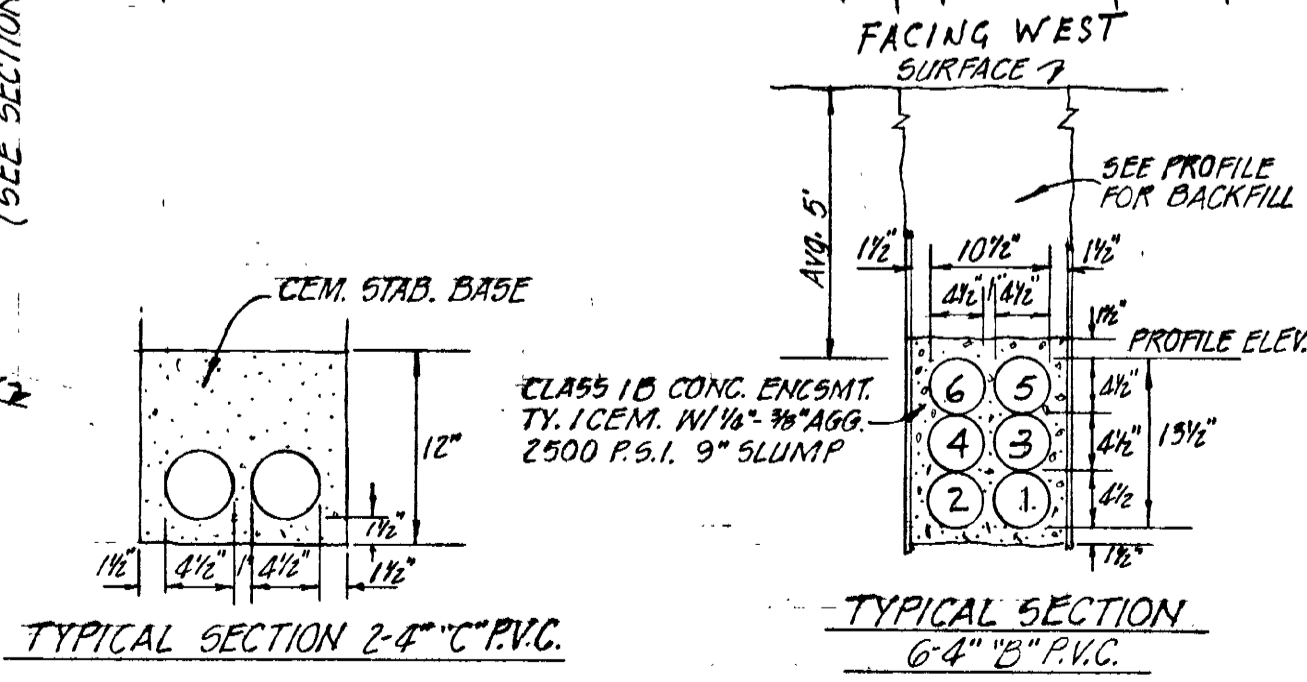


- NOTES TO CONTRACTOR
- Open cut paving and tunnel curbs, sidewalks, etc. shall be done in each way. Provide uniformed policeman. Complete or plate at the end of work day.
 - Contractor to field verify depth and location of all utilities prior to construction.
 - Coordinate placing ducts in bridge with bridge contractor.
 - ONE LANE OF TRAFFIC TO BE BLOCKED ON ALAMEDA RD FROM N.B.T. DURING TUNNELING ACROSS THE STREET. (SEE NOTE # 1)

ALL WORK TO BE PURSUED IN ACCORDANCE WITH CITY ORDINANCE 41-30. NO WORKING BETWEEN THE HOURS OF 7:00 TO 8:30 A.M. AND 4:00 TO 6:00 P.M. AT INTERSECTION ONLY

CONTRACTOR NOTIFY CITY OF HOUSTON, CONSTRUCTION DIVISION, 222-4431, PRIOR TO COMMENCING CONSTRUCTION.

PLEASE CALL 223-4567 (CONA) 48 HOURS PRIOR TO ANY DIGGING OPERATION



* Repair Personnel call Prop. M.H. # 7996 @ STA. 3465.58 L.T. @ TYPE "A" CONC. M.H. 12'-0" x 5'-0" x 7'-0" H.R. 420 CU. FT. PL. 1-30" P.V.C. TY. "B"

REVISED E.A.C. # 2 TO CORRECT DUCTS ACTUALLY PLACED 6-6-77

CAUTION HIGH PRESSURE GAS PIPE LINE WITHIN VICINITY

BINZ & CALUMET AT S.H. 288
HOUSTON, TEXAS

SCALE: PLAN 1" = 40', PROFILE HORIZ. 1" = 40', PROFILE VERT. 1" = 4'

SOUTHWESTERN TELEPHONE CO.

DATE ISSUED: 1/25/77
DATE CORRECTED: 6/6/77

NO. 18758, DIST. 7119, DRAWN BY: WEISSER/RCM

AREA: W-6000, JACKSON "522", DIST. HG 031

JOB NO. 276-160, WEISSER ENGINEERING COMPANY, HOUSTON, TEXAS

FILE COPY