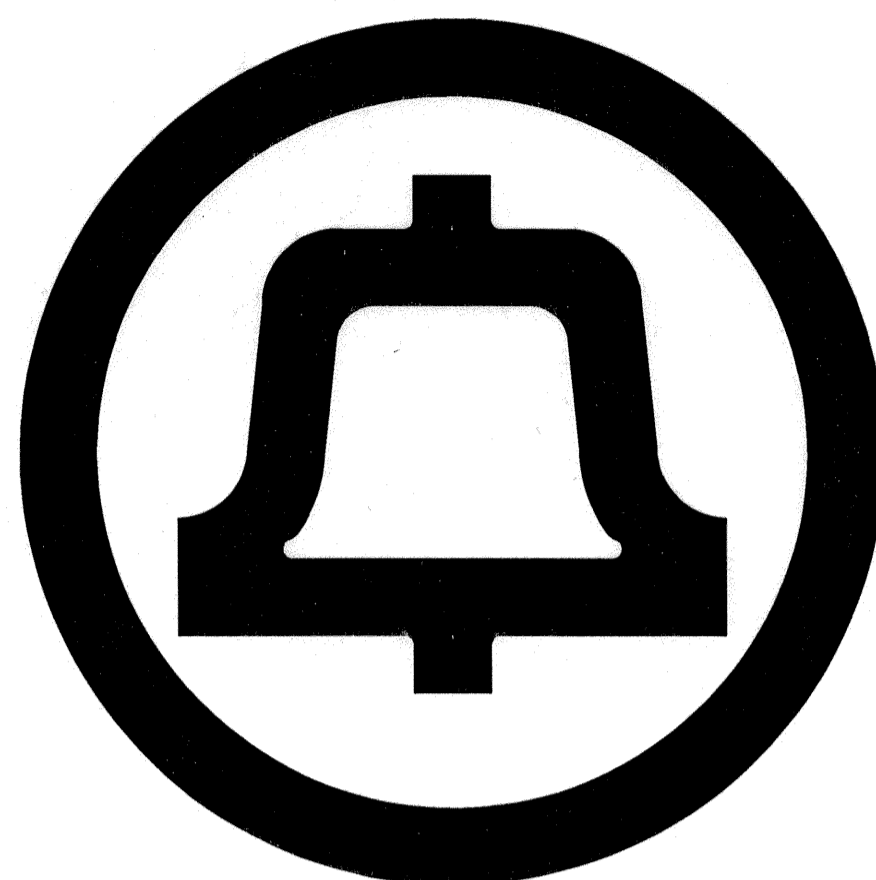


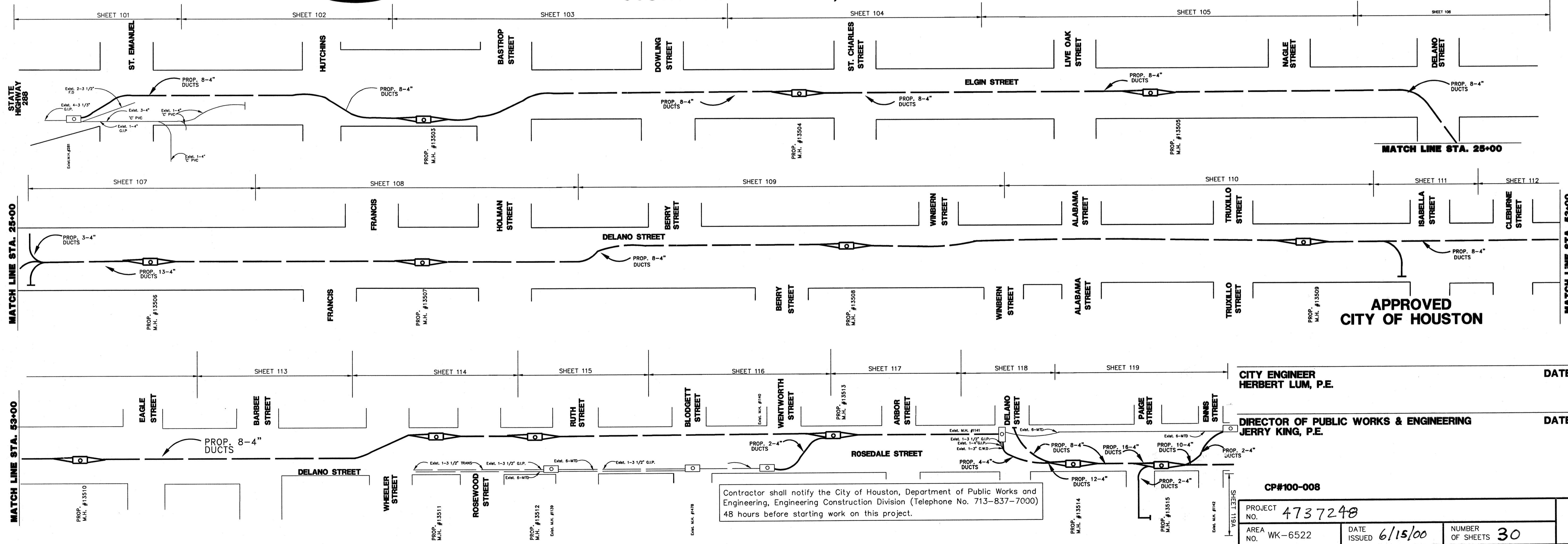
ALLEN DALE WATSON  
 64308  
 REGISTERED PROFESSIONAL ENGINEER  
 5/30/2000



# Southwestern Bell Telephone

**HOUSTON CENTRAL JACKSON '522' WK-6522**  
**PROPOSED 8-4" DUCTS EAST ALONG ELGIN FROM ST. EMANUEL TO DELANO AND SOUTH ALONG DELANO, FROM ELGIN TO ROSEDALE FOR APPROXIMATELY 7800 FEET**

KEY MAP #493-Y



MATCH LINE STA. 25+00

MATCH LINE STA. 53+00

APPROVED  
CITY OF HOUSTON

CITY ENGINEER  
**HERBERT LUM, P.E.** DATE \_\_\_\_\_  
 DIRECTOR OF PUBLIC WORKS & ENGINEERING  
**JERRY KING, P.E.** DATE \_\_\_\_\_

Contractor shall notify the City of Houston, Department of Public Works and Engineering, Engineering Construction Division (Telephone No. 713-837-7000) 48 hours before starting work on this project.

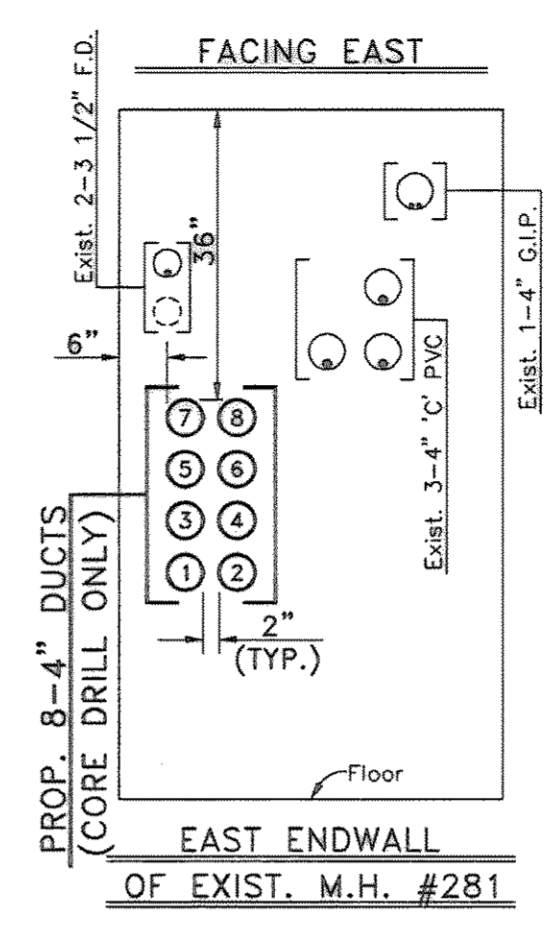
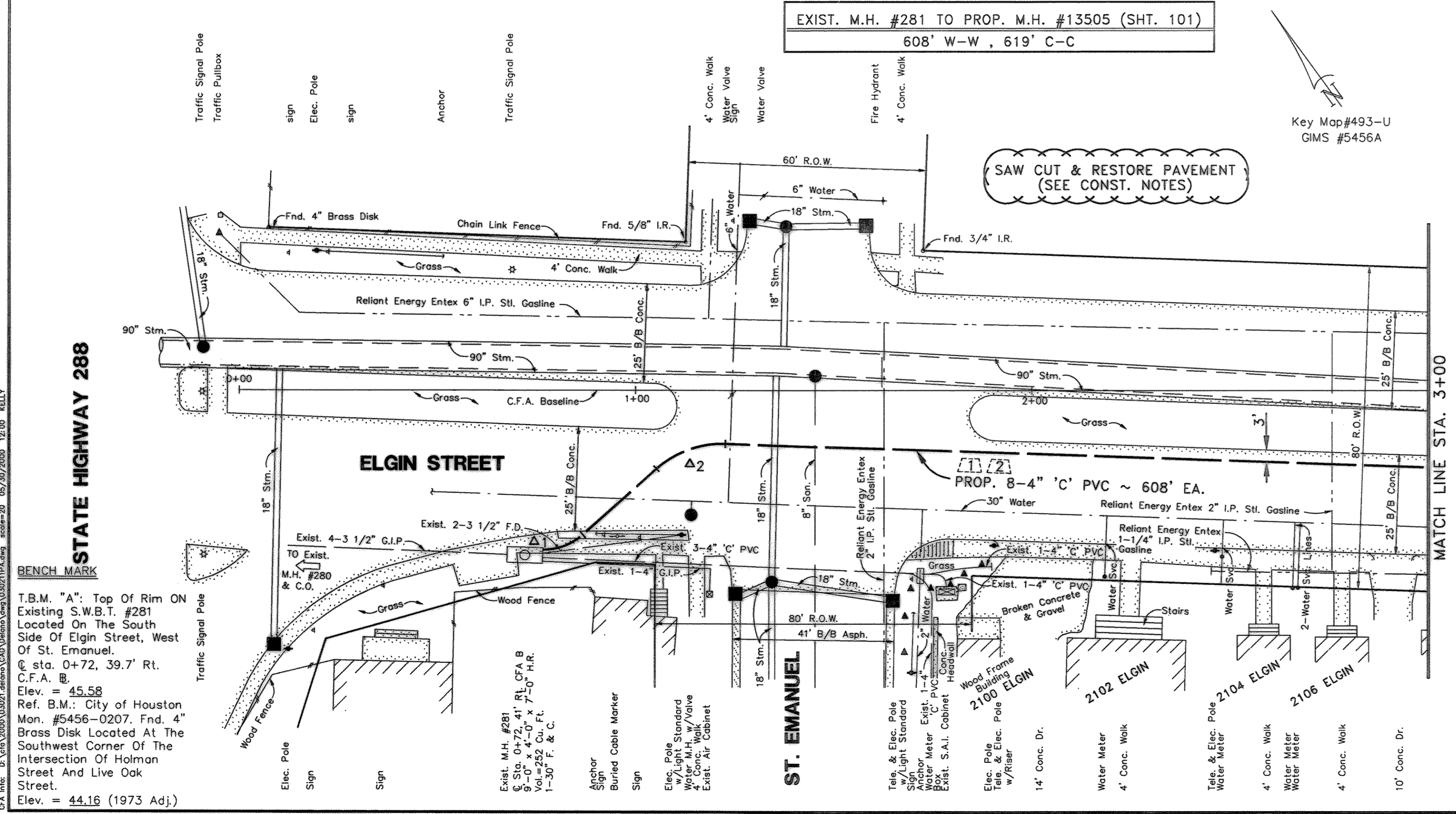
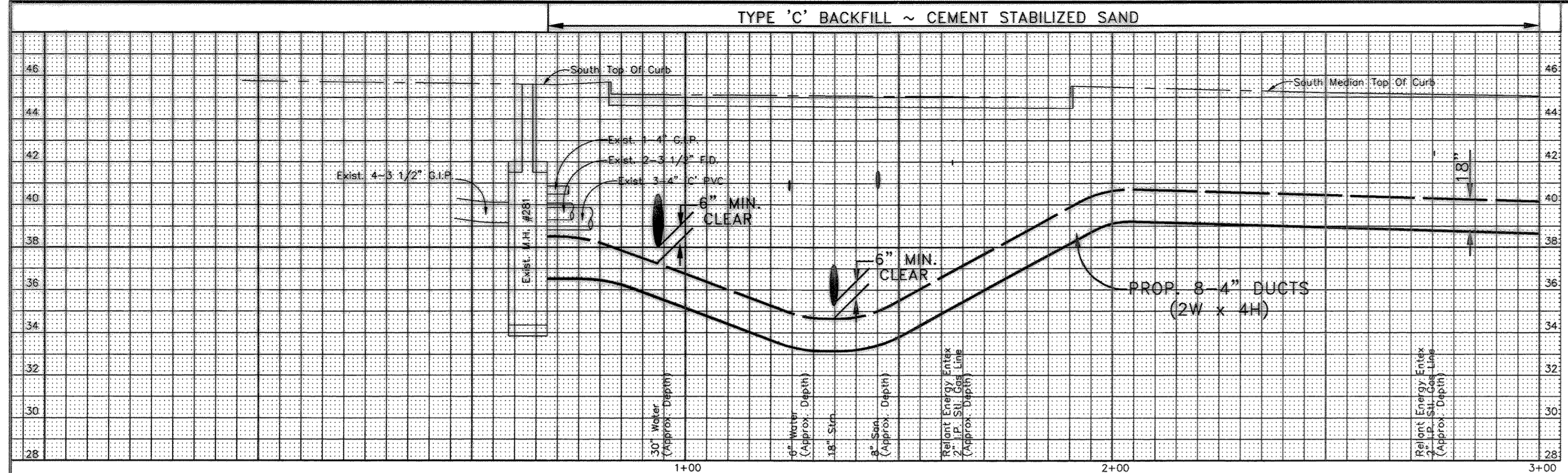
CP#100-008	
PROJECT NO.	4737248
AREA NO.	WK-6522
DATE ISSUED	6/15/00
NUMBER OF SHEETS	30

**A**

C:\DWG\Drawing.dwg scale=20 05/30/2000 20:17 HARDY

JA-Q-17

ELGIN AND ROSEDALE



**WATER, STORM & SANITARY GENERAL NOTE**  
 THE CONTRACTOR SHALL BE FULLY RESPONSIBLE FOR ANY AND ALL DAMAGES TO EXISTING PUBLIC AND/OR PRIVATE WATER, STORM & SANITARY LINES DURING CONSTRUCTION. ALL DAMAGES SHALL BE REPAIRED IN ACCORDANCE WITH THE CITY OF HOUSTON DEPARTMENT OF PUBLIC WORKS AND ENGINEERING STANDARD SPECIFICATIONS WITH LATEST ADDENDA AND AMENDMENTS THERETO, WITH NO COST TO THE CITY OF HOUSTON.

**CONTRACTORS:**  
 THE LOCATIONS OF EXISTING TELEPHONE UTILITIES ARE SHOWN IN AN APPROXIMATE WAY ONLY AND HAVE NOT BEEN INDEPENDENTLY VERIFIED BY THE OWNER OR ITS REPRESENTATIVE. THE CONTRACTOR SHALL DETERMINE THE EXACT LOCATION OF ALL EXISTING UTILITIES BEFORE COMMENCING WORK, AND AGREES TO BE FULLY RESPONSIBLE FOR ANY AND ALL DAMAGES WHICH MIGHT BE OCCASIONED BY THE CONTRACTOR'S FAILURE TO EXACTLY LOCATE AND PRESERVE ANY AND ALL UTILITIES. 48 HOURS PRIOR TO EXCAVATING FOR NON-SWBUT UTILITIES LOCATES CALL 1 800 545-6005

**NOTE:**  
 THE INFORMATION SHOWN ON THIS DRAWING CONCERNING TYPE AND LOCATION OF UNDERGROUND UTILITIES IS NOT GUARANTEED TO BE ACCURATE OR ALL INCLUSIVE. THE CONTRACTOR IS RESPONSIBLE FOR MAKING HIS OWN DETERMINATIONS AS TO TYPE AND LOCATION OF UNDERGROUND UTILITIES AS MAY BE NECESSARY TO AVOID DAMAGE THERETO. THE CONTRACTOR SHALL VERIFY LOCATION OF UNDERGROUND PIPELINES, CONDUITS AND STRUCTURES BY CONTACTING OWNERS OF UNDERGROUND UTILITIES OR BY EXCAVATING IN ADVANCE OF CONSTRUCTION.

**CAUTION: UNDERGROUND GAS FACILITIES.**  
 LOCATIONS OF RELIANT ENERGY ENTEX MAIN LINES (TO INCLUDE UNIT GAS TRANSMISSION AND/OR INDUSTRIAL GAS SUPPLY CORPORATION WHERE APPLICABLE) ARE SHOWN IN AN APPROXIMATE LOCATION ONLY. SERVICE LINES ARE USUALLY NOT SHOWN. THE CONTRACTOR SHALL CONTACT THE UTILITY COORDINATING COMMITTEE AT (713)223-4567 OR 1-800-669-8344 A MINIMUM OF 48 HOURS PRIOR TO CONSTRUCTION TO HAVE MAIN AND SERVICE LINES FIELD LOCATED.  
 \* WHEN EXCAVATING WITHIN EIGHTEEN INCHES (18") OF THE INDICATED LOCATION OF RELIANT ENERGY ENTEX FACILITIES, ALL EXCAVATION MUST BE ACCOMPLISHED USING NON-MECHANIZED EXCAVATION PROCEDURES.  
 \* WHEN RELIANT ENERGY ENTEX FACILITIES ARE EXPOSED, SUFFICIENT SUPPORT MUST BE PROVIDED TO THE FACILITIES TO PREVENT EXCESSIVE STRESS ON THE PIPING.  
 THE CONTRACTOR IS FULLY RESPONSIBLE FOR ANY DAMAGES CAUSED BY HIS FAILURE TO EXACTLY LOCATE AND PRESERVE THESE UNDERGROUND FACILITIES.

**CAUTION: EXIST. S.W.B.T. CO. FACILITIES IN CONSTRUCTION AREA. VERIFY EXACT LOCATION & DEPTH PRIOR TO ANY DIGGING AND/OR BORING.**

**CALL BEFORE YOU DIG !**  
 TEXAS ONE CALL PARTICIPANTS REQUEST 48 HOURS NOTICE BEFORE YOU DIG, DRILL, OR BLAST - STOP CALL  
**Texas One Call System**  
 1-800-669-8344

**CAUTION: EXIST. TRAFFIC SIGNAL CONDUIT IN CONSTRUCTION AREA. VERIFY EXACT LOCATION & DEPTH PRIOR TO ANY DIGGING AND/OR BORING.**

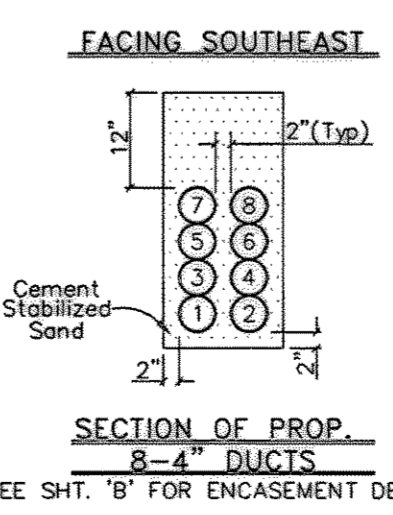
**SEE CONSTRUCTION NOTES & DETAILS ON B, C & D SHEETS**

MFR# 4C  
 PLAC 1 TO 2 + INSPC  
 OPER. RANGE

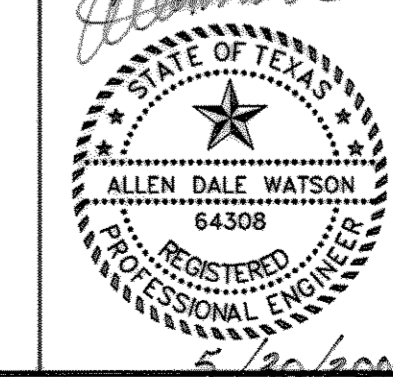
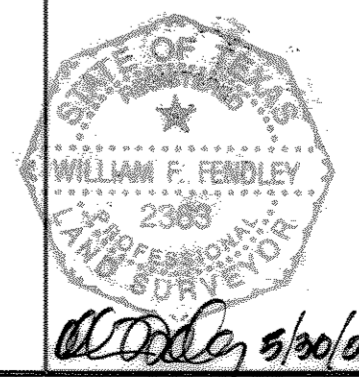
INSPC

OPER	ACTION CODE	MAJOR MATERIAL DESCRIPTION	ACCT. CODE	ML OR AMT.	PL	BORE	REMOVALS
							AMOUNT MORT. DATE
1	PLAC	TRENCH-8-MPC	4C	608'			
2	PLAC	PVC-C-4", 8	4C	4864'			

**CURVE DATA**  
 $\Delta 1 = 41^\circ 33'$   $\Delta 2 = 43^\circ 21'$   
 $R = 15'$   $R = 25'$   
 $T = 5'$   $T = 9'$   
 $L = 10'$   $L = 18'$   
 USE CURVE SEGMENTS AS REQUIRED; CONC. ENCASE



CP#100-008



Southwestern Bell Telephone  
**ELGIN STREET @ S.H. 288**  
 HOUSTON, TEXAS

SCALE: PLAN 1" = 20' PROFILE VERT. 1" = 4' PROFILE HORIZ. 1" = 20'

PREPARED BY CONDUIT DISTRICT: *Paul J. ...* DRAWN BY: CFA/RA ISSUE DATE: 6/15/00

PREPARED BY: *E. J. Eubanks* *John ...*

PROJECT NO. 4737248 REC REF 9686 1018 967 SHEET 101

AREA NO. WK-6522 c.o. JACKSON'S 522 TAX DIST. HC-031

JA-Q-18