

# Southwestern Bell Telephone

HOUSTON

CENTRAL UNIT

JACKSON '522'

WK-6522

PROPOSED CONDUIT ALIGNMENT SOUTH ALONG S.H. 288 NORTHBOUND FRONTAGE RD. FROM CALUMET DRIVE TO BINZ STREET FOR APPROXIMATELY 430 FEET.



Key Map #533-B

THIS PROPERTY DOES NOT APPEAR TO LIE IN THE 100 YEAR FLOOD PLAIN. ACCORDING TO F.I.R.M. MAP NO. 48201C0860K, DATED APRIL 20, 2000.

The Contractor shall be fully responsible for any and all damages to existing public or private utility lines, including but not limited to water lines, wastewater collection systems and storm sewers, during construction. All damages shall be repaired in accordance with City of Houston, Department of Public Works and Engineering "Standard Construction Specifications" with latest addenda and amendments thereto, with no cost to the City of Houston.

**APPROVED  
CITY OF HOUSTON**

CITY ENGINEER  
HERBERT LUM, P.E. DATE

DIRECTOR OF PUBLIC WORKS & ENGINEERING DATE

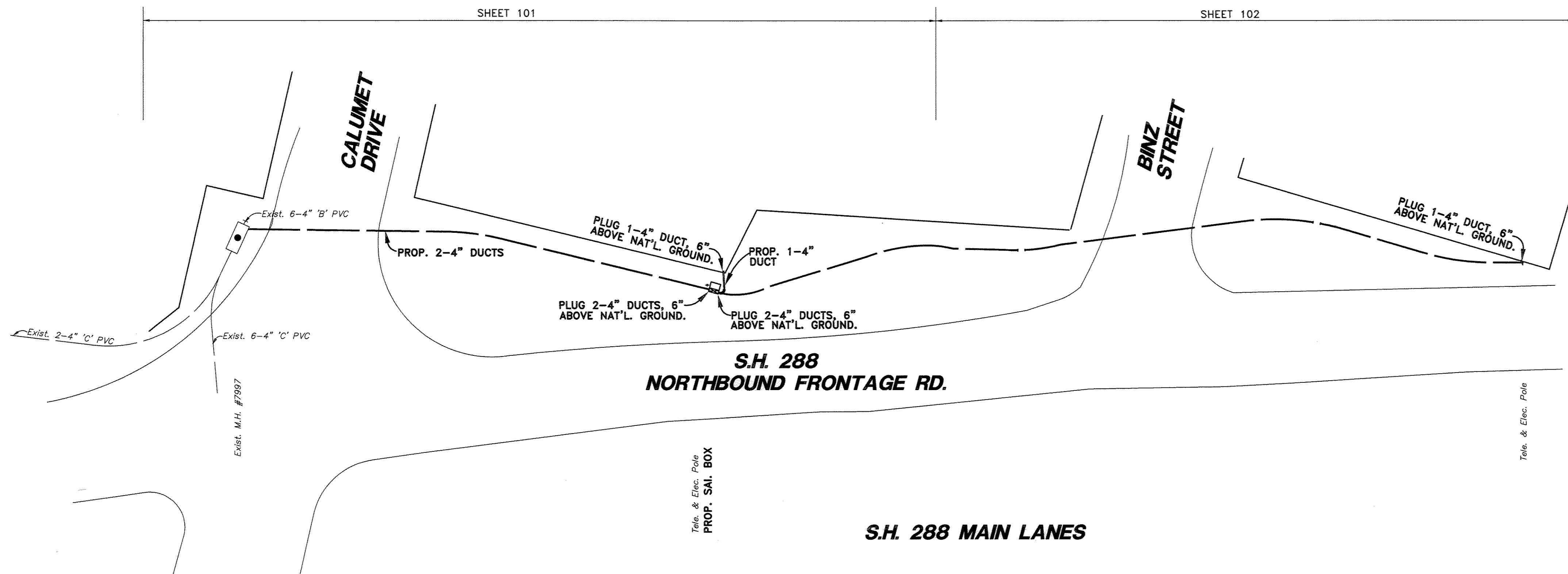
"CONTRACTOR SHALL NOTIFY THE CITY OF HOUSTON, DEPARTMENT OF PUBLIC WORKS AND ENGINEERING, ENGINEERING CONSTRUCTION AND REAL ESTATE GROUP (TELEPHONE NO. 713-837-7000) 48 HOURS BEFORE STARTING WORK ON THIS PROJECT."

C.P. #100-058

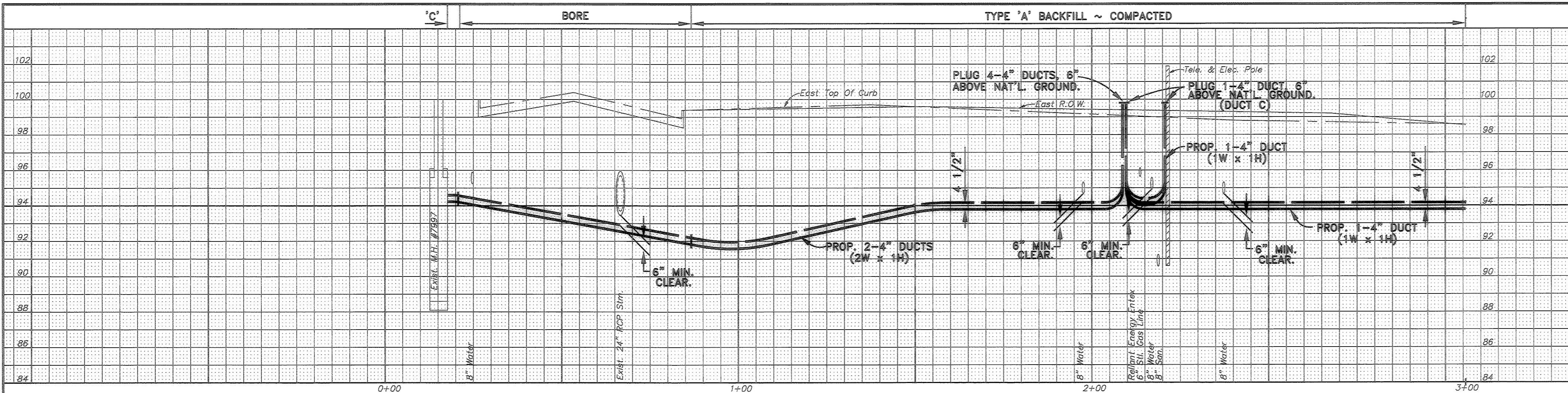
PROJ. NO. 4752104			A
AREA NO. WK-6522	DATE ISSUED 6/29/00	NUMBER OF SHEETS	

United Engineers, Inc. JOB NO. 20047-00

JA-V-17A



S.H. 288 @ BINZ



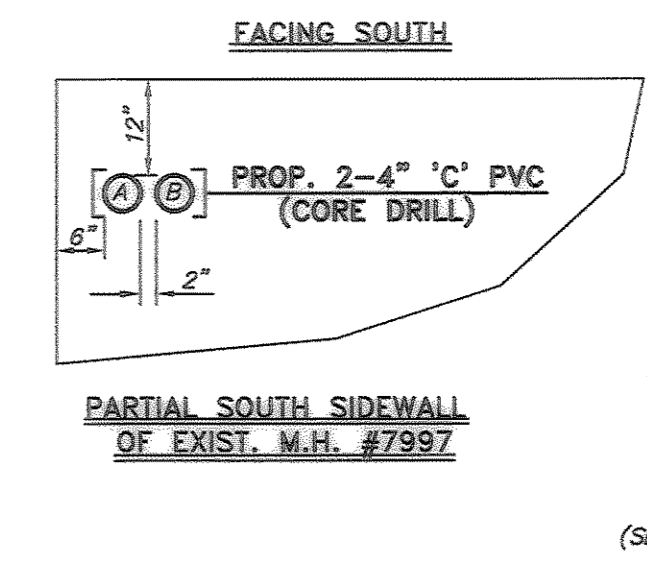
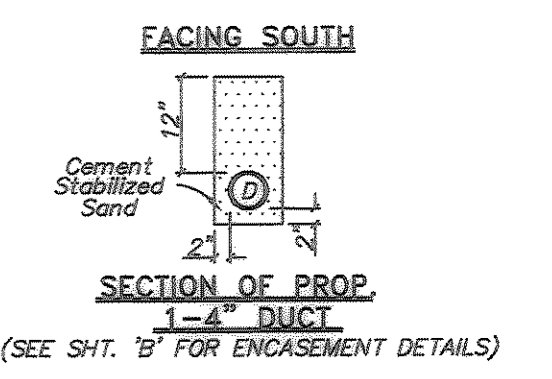
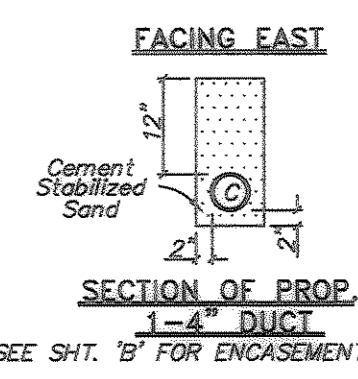
**CONTRACTORS:**  
 THE LOCATIONS OF EXISTING TELEPHONE UTILITIES ARE SHOWN IN AN APPROXIMATE WAY ONLY AND HAVE NOT BEEN INDEPENDENTLY VERIFIED BY THE OWNER OR ITS REPRESENTATIVE. ALL OTHER INFORMATION SHOWN ON THIS DRAWING CONCERNING TYPE AND LOCATION OF UNDERGROUND UTILITIES IS NOT GUARANTEED TO BE ACCURATE OR ALL INCLUSIVE. THE CONTRACTOR SHALL DETERMINE THE EXACT LOCATION OF ALL EXISTING UTILITIES BEFORE COMMENCING WORK, AND AGREES TO BE FULLY RESPONSIBLE FOR ANY AND ALL DAMAGES WHICH MIGHT BE OCCASIONED BY THE CONTRACTOR'S FAILURE TO EXACTLY LOCATE AND PRESERVE ANY AND ALL UTILITIES, 48 HOURS PRIOR TO EXCAVATING.  
**FOR NON-S.W.B.T. UTILITIES LOCATES CALL 1 800 545-6005**

**CALL BEFORE YOU DIG !**  
 TEXAS ONE CALL PARTICIPANTS REQUEST 48 HOURS NOTICE BEFORE YOU DIG, DRILL, OR BLAST - STOP CALL  
**Texas One Call System**  
 1-800-669-8344

**CAUTION:** EXISTING S.W.B.T., H.L. & P. AND ENTEX FACILITIES IN CONSTRUCTION AREA. VERIFY EXACT LOCATION & DEPTH PRIOR TO ANY DIGGING AND/OR BORING.

CONTRACTOR TO BRACE & SUPPORT ELEC. POLE AS NECESSARY

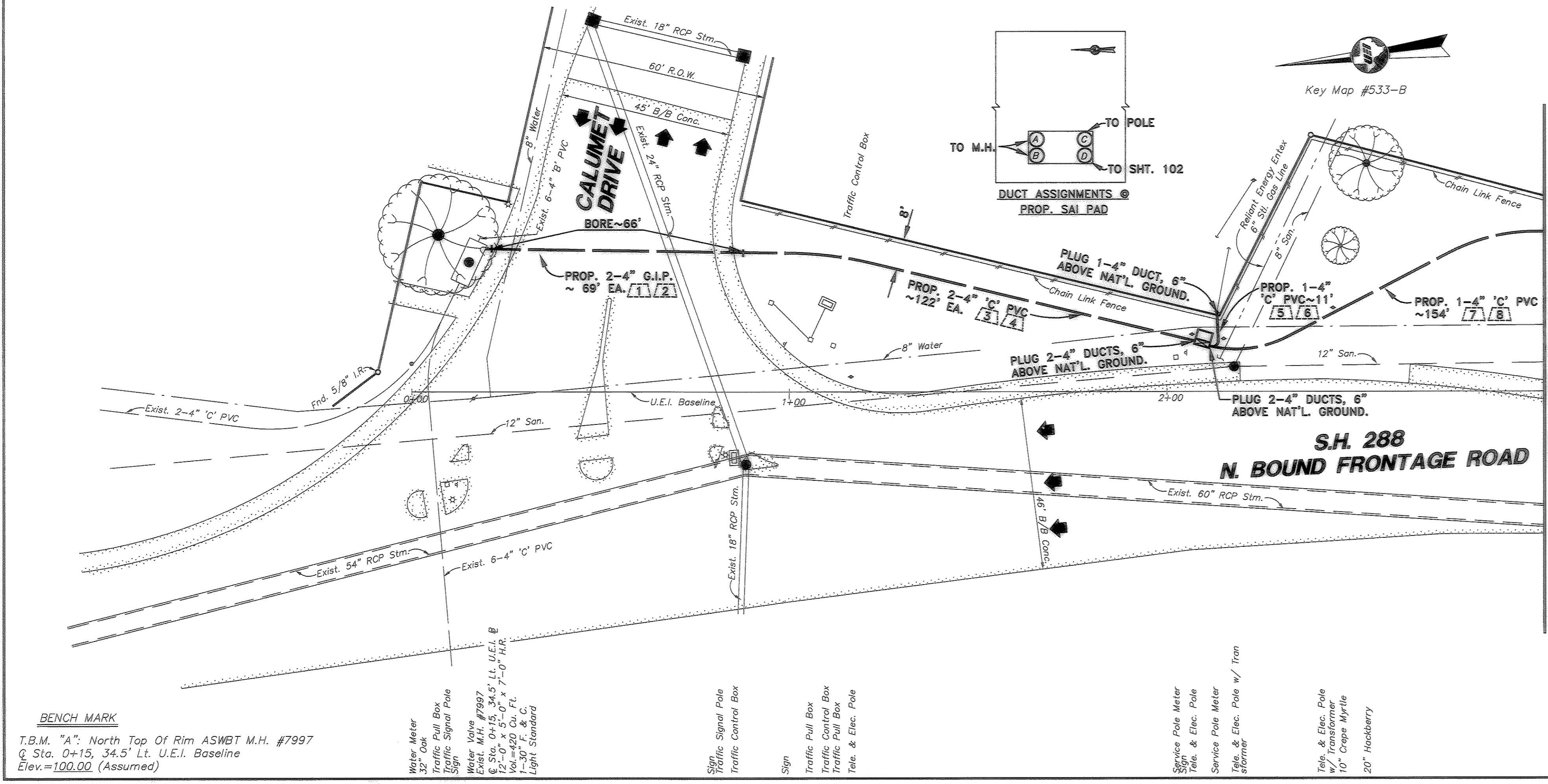
SEE CONSTRUCTION NOTES & DETAILS ON B,C & D SHEETS



**PARTIAL SOUTH SIDEWALL OF EXIST. M.H. #7997**

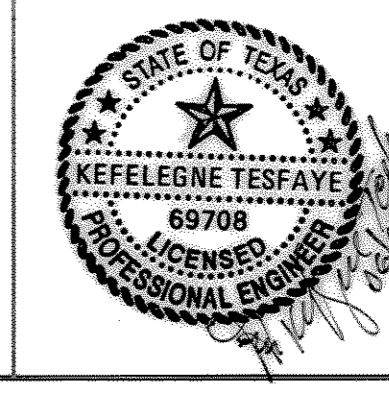
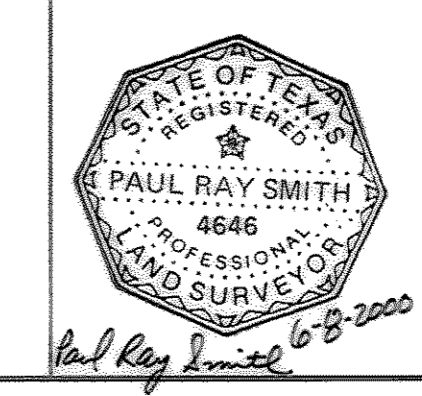
MFR# 4C  
 PLAC 1 TO 8  
 OPER. RANGE

OPER	ACTION CODE	MAJOR MATERIAL DESCRIPTION	ACCT. CODE	ML OR AMT.	PL	BORE	REMOVALS	
							AMOUNT	MORT. DATE
1	PLAC	TRENCH-2-MPC	4C	69'		66'		
2	PLAC	PIPE-GALV-4",2	4C			138'		
3	PLAC	TRENCH-2-MPC	4C	122'				
4	PLAC	PVC-C-4",2	4C			244'		
5	PLAC	TRENCH-1-MPC	4C	11'				
6	PLAC	PVC-C-4",1	4C			11'		
7	PLAC	TRENCH-1-MPC	4C	154'				
8	PLAC	PVC-C-4",1	4C			154'		



MATCH LINE STA. 3+00

C.P. #100-058



Southwestern Bell Telephone  
**S.H. 288 @ CALUMET**  
 HOUSTON, TEXAS

SCALE: PLAN 1"= 20' PROFILE VERT. 1"= 4' PROFILE HORZ. 1"= 20'

PREPARED BY: [Signature] CONDUIT DISTRICT: [Signature] DRAWN BY: U.E.I. ISSUE DATE: 6/29/00

PREPARED BY: E.J. Eubanks (MGR.-ENG. DESIGN) John Eubanks (AREA MGR.-ENG. DESIGN)

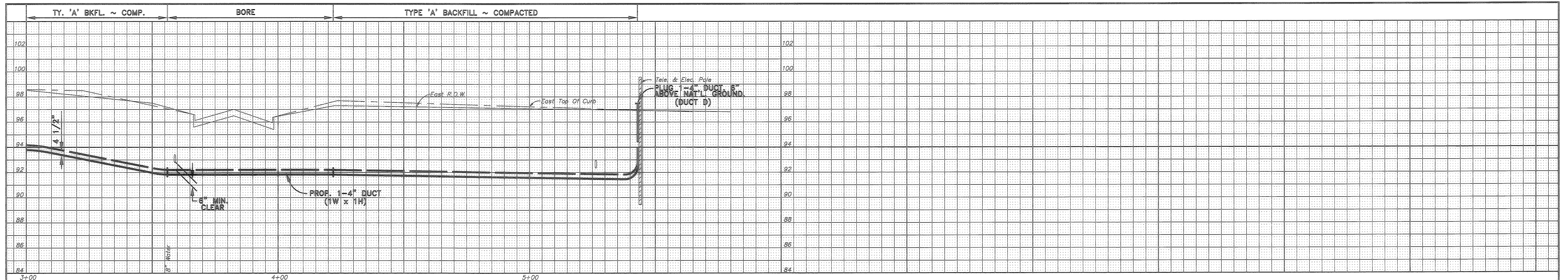
PROJ. NO. 4752104 REC. REF. 1116 SHEET 101

AREA NO. WK-6522 C.O. JACKSON '522' TAX DIST. HG-031

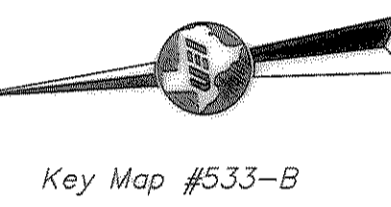
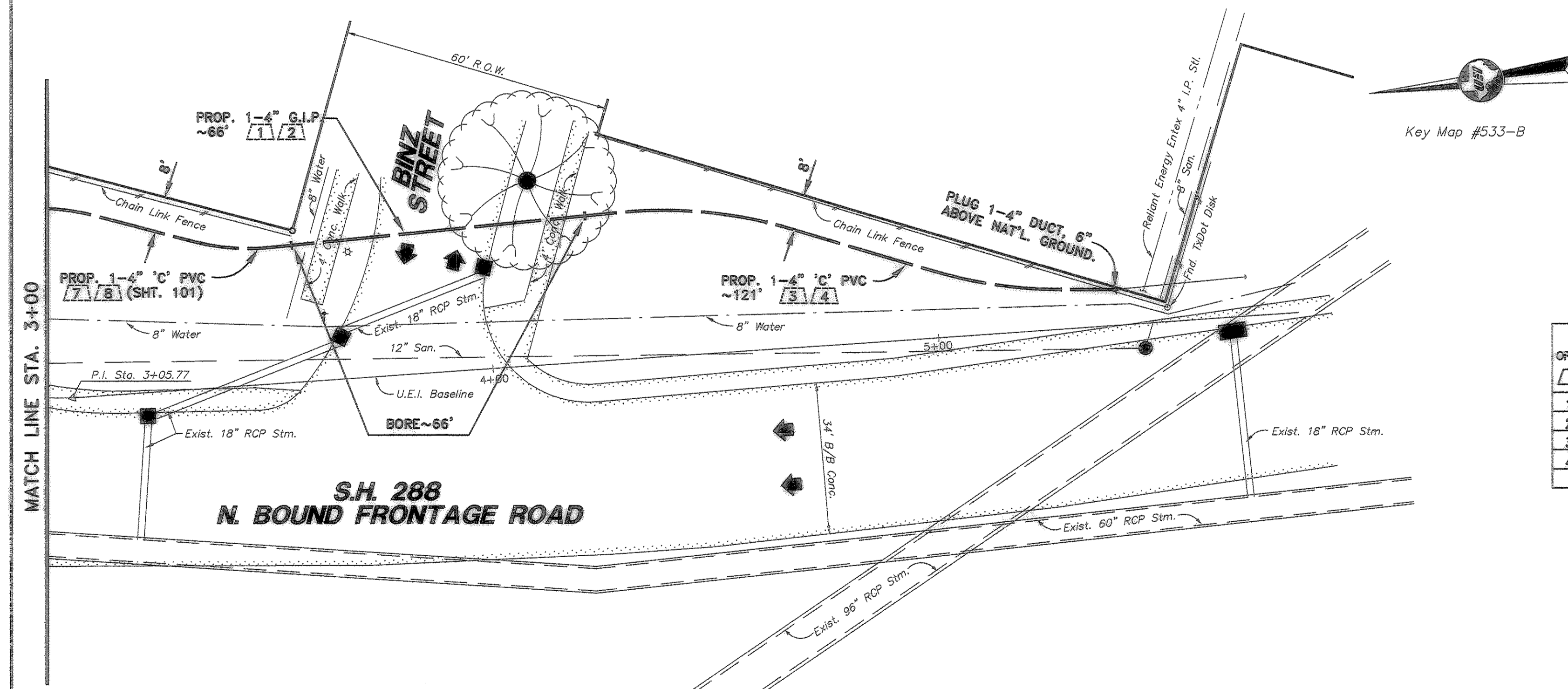
UNITED ENGINEERS, INC. JOB NO. 20047-00

F.B. #175  
 FILE NAME: 20047171

JA-V-17B



SEE SHT. 101 FOR NOTES



MFR# 4C  
 PLAC 1 TO 4  
 OPER. RANGE

OPER	ACTION CODE	MAJOR MATERIAL DESCRIPTION	ACCT. CODE	ML OR AMT.	PL	BORE	REMOVALS
							AMOUNT MORT DATE
1	PLAC	TRENCH-1-MPC	4C	66'		66'	
2	PLAC	PIPE-GALV-4",1	4C			66'	
3	PLAC	TRENCH-1-MPC	4C	121'			
4	PLAC	PVC-C-4",1	4C			121'	

F.B. #175  
FILE NAME: 20047112

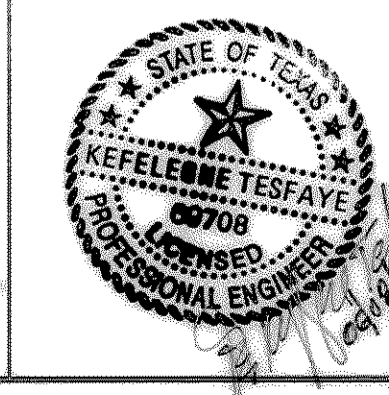
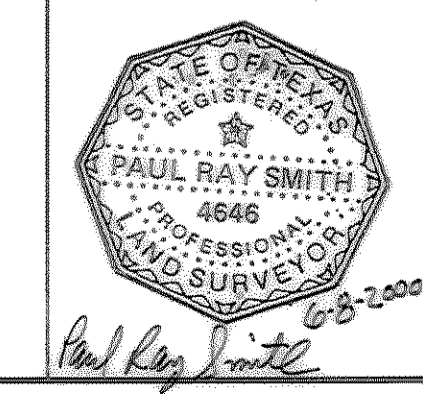
**BENCH MARK**  
 T.B.M. "A": North Top Of Rim ASWB M.H. #7997  
 Q Sta. 0+15, 34.5' Lt. U.E.I. Baseline  
 Elev.=100.00 (Assumed)

Fire Hydrant  
Light Standard

40" Tree

Tele. & Elec. Pole

C.P. #100-058



Southwestern Bell Telephone			
<b>S.H. 288 @ BINZ</b>			
HOUSTON, TEXAS			
SCALE: PLAN 1"= 20'		PROFILE VERT. 1"= 4'	
PROFILE HORZ. 1"= 20'			
PREPARED BY CONDUIT DISTRICT	<i>[Signature]</i>	DRAWN BY U.E.I.	ISSUE DATE 6/29/00
PREPARED BY MGR.-ENG. DESIGN	<i>E. J. Eubanks</i>	AREA MGR.-ENG. DESIGN	<i>John Eubanks</i>
PROJ. NO. 4752104	REC. REF. 1116	SHEET 102	
AREA NO. WK-6522	C.O. JACKSON '52'	TAX DIST. HG-031	
UNITED ENGINEERS, INC. JOB NO. 20047-00			

JA-V-17C