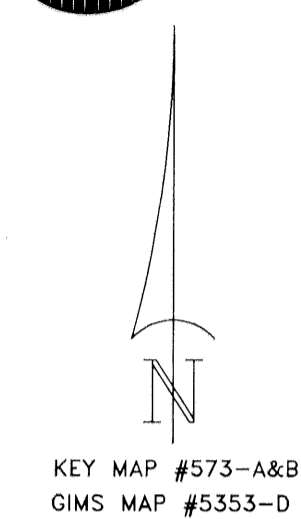




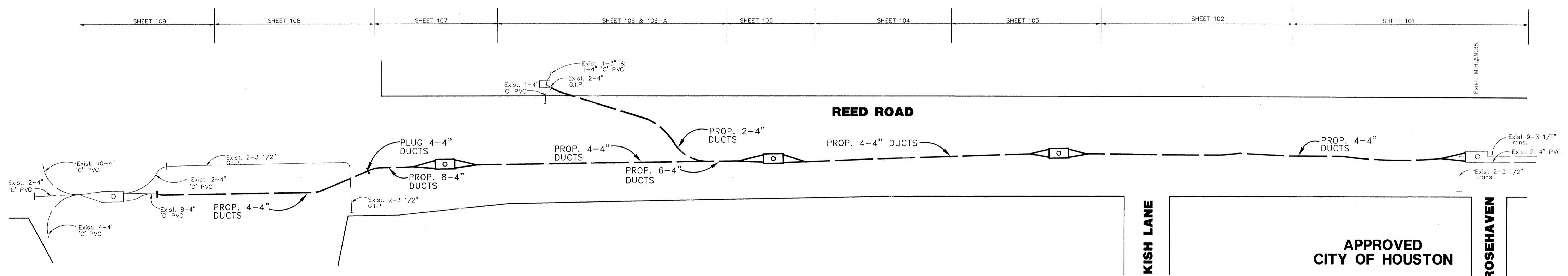
# Southwestern Bell Telephone

HOUSTON CENTRAL UNIT REPUBLIC "734" WK-4734

PROPOSED CONDUIT ALIGNMENT ALONG REED ROAD FROM ROSEHAVEN  
TO S.H. 288 FOR APPROXIMATELY 3670 FEET



BID COPY



CITY ENGINEER  
HERBERT LUM, P.E. DATE

DIRECTOR OF PUBLIC WORKS & ENGINEERING  
JERRY KING, P.E. DATE

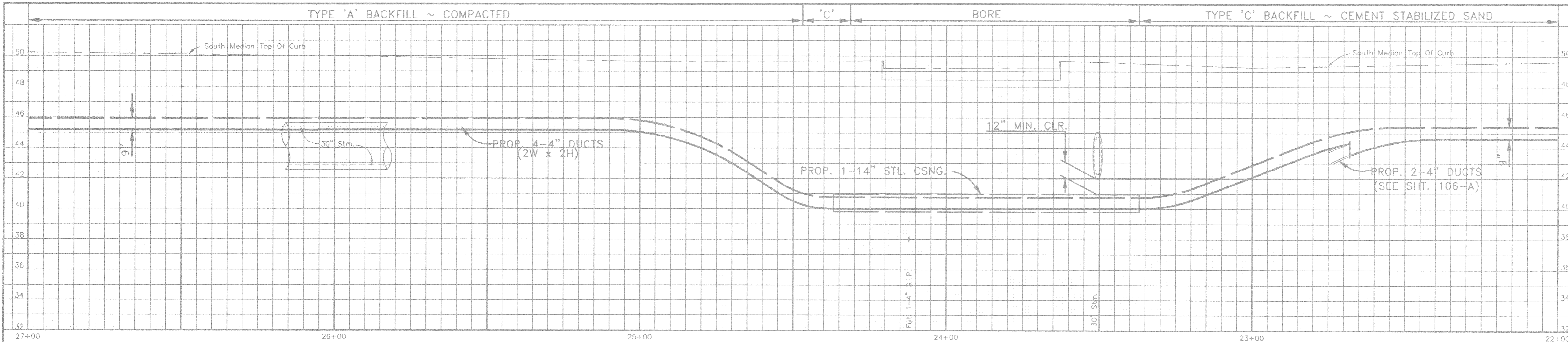
CP#299-018

PROJECT NO.	4703545		A
AREA NO.	WK-4734	NUMBER OF SHEETS	
DATE ISSUED	02-04-00		

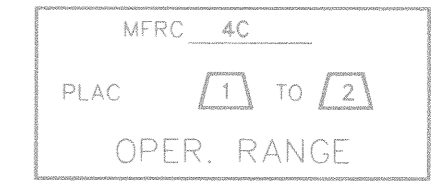
Contractor shall notify the City of Houston, Department of Public Works and Engineering, Engineering Construction Division (Telephone No. 713-837-7000) 48 hours before starting work on this project.

REED ROAD

CFA info: 903171f.dwg scale=1 11/77/99 16:04 SHAWN

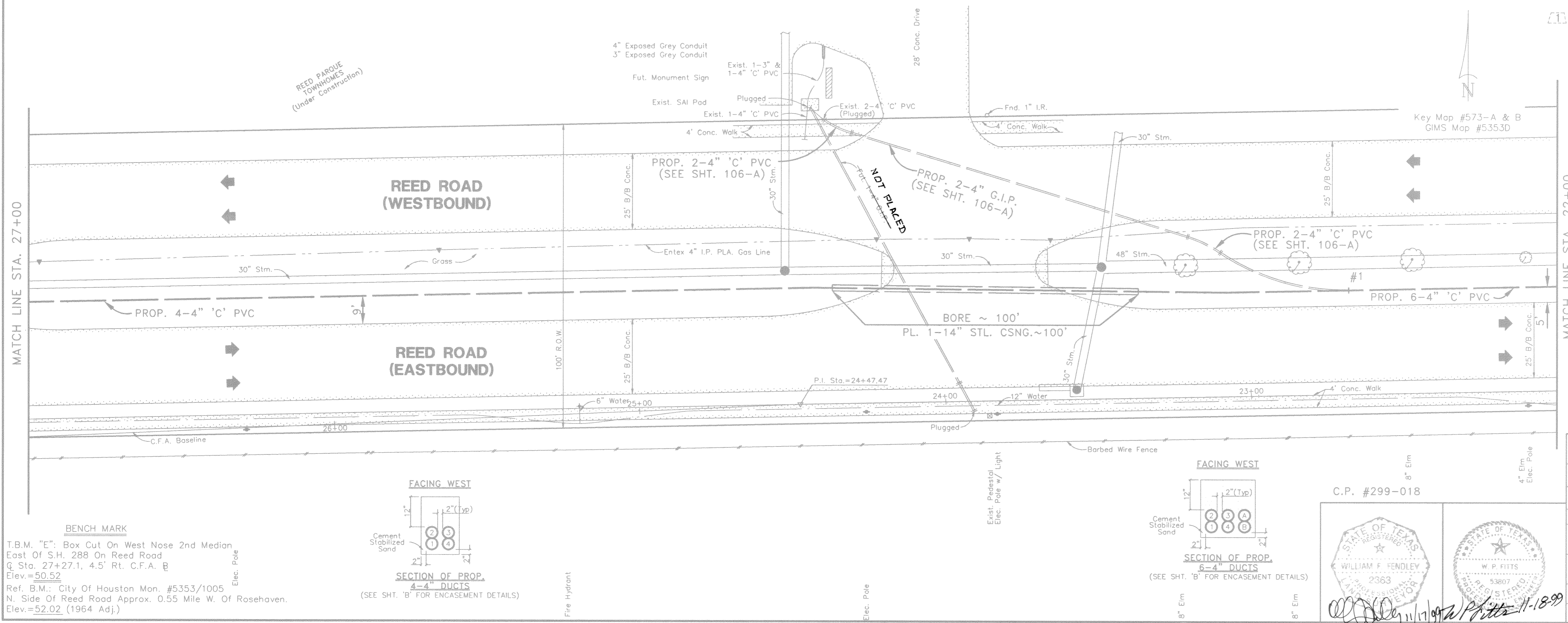


SEE SHEET 101 FOR CONSTRUCTION NOTES



OPER	ACTION CODE	MAJOR MATERIAL DESCRIPTION	ACCT CODE	ML OR AMT.	PL	BORE	REMOVALS
							AMOUNT
1	PLAC	TRENCH-4-MPC	4C	691'		255'	
2	PLAC	PVC-C-4", 4	4C			2764'	

W.O. #1 TO PROP. M.H. #16028 (SHT. 107)  
 PL. 4-4" 'C' PVC ~ 691' S-W, (2764 D.F.)(4C)



**CITY OF HOUSTON**  
 DEPARTMENT OF PUBLIC WORKS AND ENGINEERING

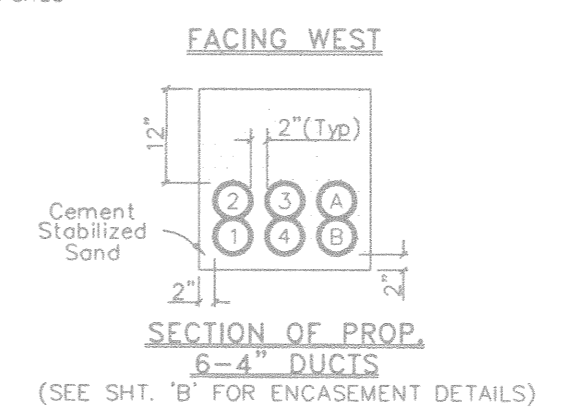
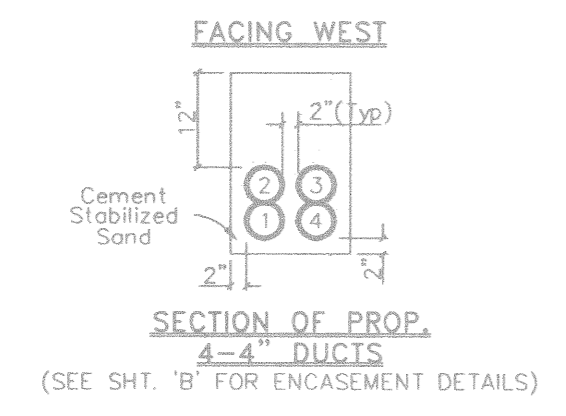
REVIEWED BY  
 PRIVATELY FUNDED PUBLIC WORKS CITY FUNDED PUBLIC WORKS

WATER PROJECT MANAGER  
 WASTEWATER CONSTRUCTION  
 STORM WATER CHIEF ENGINEER  
 STREET & BRIDGE SPONSOR DEPARTMENT

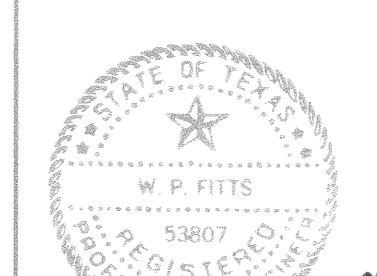
OTHER APPROVAL  
 TRAFFIC AND TRANSPORTATION SPONSOR DEPARTMENT

CITY ENGINEER DATE  
 DIRECTOR OF PUBLIC WORKS AND ENGINEERING DATE

**BENCH MARK**  
 T.B.M. "E": Box Cut On West Nose 2nd Median  
 East Of S.H. 288 On Reed Road  
 Q Sta. 27+27.1, 4.5' Rt. C.F.A. E  
 Elev.=50.52  
 Ref. B.M.: City Of Houston Mon. #5353/1005  
 N. Side Of Reed Road Approx. 0.55 Mile W. Of Rosehaven.  
 Elev.=52.02 (1964 Adj.)



C.P. #299-018



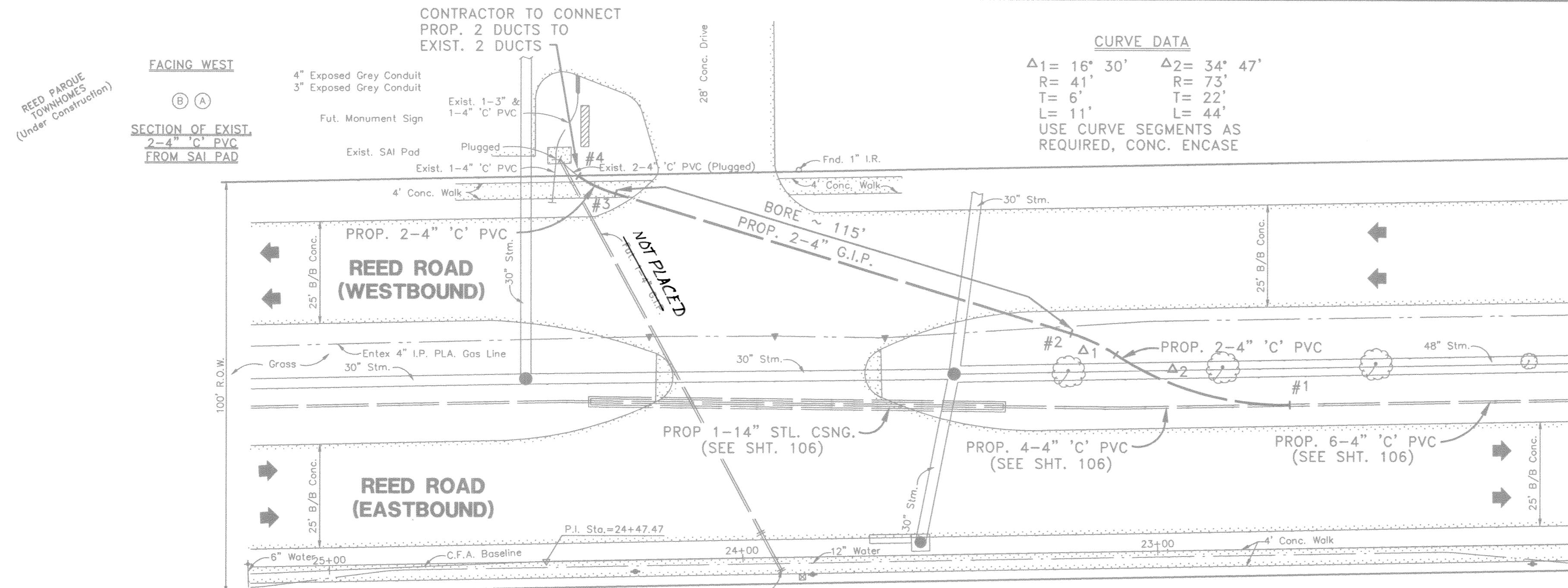
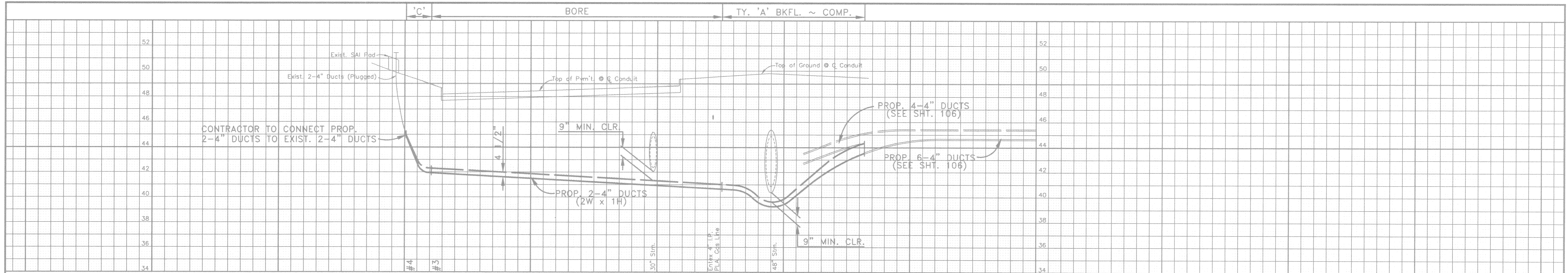
**Southwestern Bell Telephone**  
**REED ROAD**  
 HOUSTON, TEXAS

SCALE: PLAN 1"= 20' PROFILE VERT. 1"= 4' PROFILE HORIZ. 1"= 20'

PREPARED BY: *W.P. Pitts* DRAWN BY: *A.T.* ISSUE DATE: **02-04-00**

PREPARED BY: *Julie A. Miller* *John Egan*

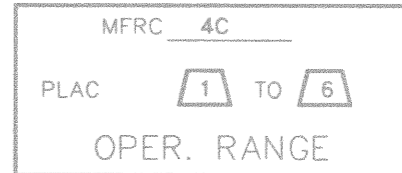
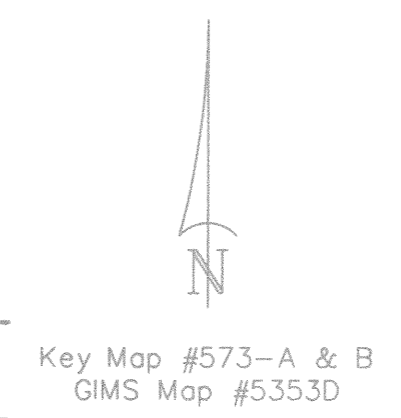
PROJECT NO. 4703545 REC REF 104,105,106 SHEET 106  
 AREA NO. WK-4734 C.O. REPUBLIC "734" TAX DIST. HG-031



**CURVE DATA**

$\Delta 1 = 16^\circ 30'$	$\Delta 2 = 34^\circ 47'$
$R = 41'$	$R = 73'$
$T = 6'$	$T = 22'$
$L = 11'$	$L = 44'$

USE CURVE SEGMENTS AS REQUIRED, CONC. ENCASE



OPER	ACTION CODE	MAJOR MATERIAL DESCRIPTION	ACCT. CODE	ML OR AMT.	PL	BORE	REMOVALS	
							AMOUNT	WORT. DATE
1	PLAC	TRENCH-2-MPC	4C	56'				
2	PLAC	PVC-C-4", 2	4C		112'			
3	PLAC	TRENCH-2-MPC	4C	115'		115'		
4	PLAC	PIPE-GALV-4", 2	4C		230'			
5	PLAC	TRENCH-2-MPC	4C	10'				
6	PLAC	PVC-C-4", 2	4C		20'			

- W.O. #1 TO W.O. #2
- [1][2] PL. 2-4" 'C' PVC ~ 56' S-S, (112 D.F.)(4C)
- W.O. #2 TO W.O. #3
- [3][4] PL. 2-4" G.I.P. ~ 115' S-S, (230 D.F.)(4C)
- W.O. #3 TO W.O. #4
- [5][6] PL. 2-4" 'C' PVC ~ 10' S-S, (20 D.F.)(4C)
- AT W.O. #4
- CONNECT TO EXIST. 2-4" 'C' PVC

SEE SHEET 101 FOR CONSTRUCTION NOTES

**CITY OF HOUSTON**  
DEPARTMENT OF PUBLIC WORKS AND ENGINEERING

PRIVATELY FUNDED PUBLIC WORKS	REVIEWED BY
CITY FUNDED PUBLIC WORKS	CITY FUNDED PUBLIC WORKS
PROJECT MANAGER	
CONSTRUCTION	
CHIEF ENGINEER	
SPONSOR DEPARTMENT	
CITY ENGINEER	DATE
DIRECTOR OF PUBLIC WORKS AND ENGINEERING	DATE

**Southwestern Bell Telephone**

**REED ROAD**  
**HOUSTON, TEXAS**

C.P. #299-018

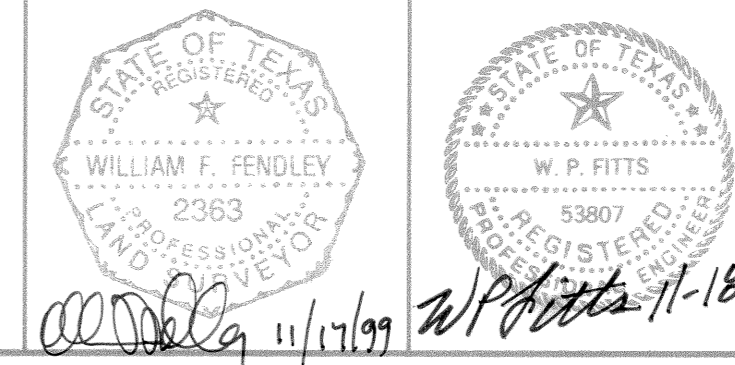
SCALE: PLAN 1"= 20' PROFILE VERT. 1"= 4' PROFILE HORZ. 1"= 20'

PREPARED BY: *W.P. Pitts* (MGR-ENG. DESIGN) DRAWN BY: *John A. Miller* (MGR-ENG. DESIGN) ISSUE DATE: 02-04-00

PREPARED BY: *John A. Miller* (MGR-ENG. DESIGN) *John E. Eubank* (MGR-ENG. DESIGN)

PROJECT NO. 4703545 REC REF 104,105,106 SHEET 106-A

AREA NO. WK-4734 c.o. REPUBLIC "734" TAX DIST. HG-031

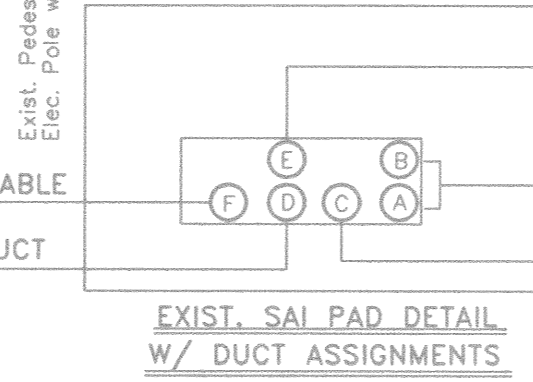
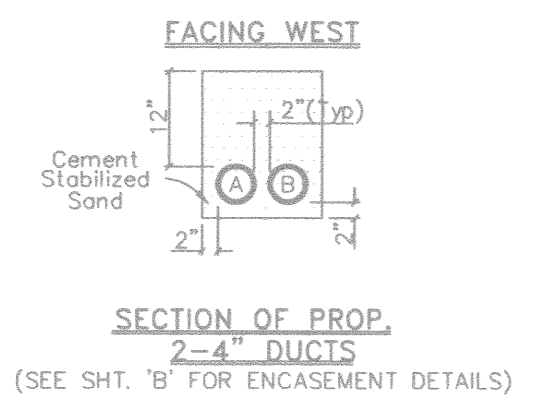


CFA Info: 31721p6A.dwg scale=20 11/17/99 14:32 SHAWN

**BENCH MARK**

T.B.M. "E": Box Cut On West Nose 2nd Median  
East Of S.H. 288 On Reed Road  
Q Sta. 27+27.1, 4.5' Rt. C.F.A. @  
Elev.=50.52

Ref. B.M.: City Of Houston Mon. #5353/1005  
N. Side Of Reed Road Approx. 0.55 Mile W. Of Rosehaven.  
Elev.=52.02 (1964 Adj.)

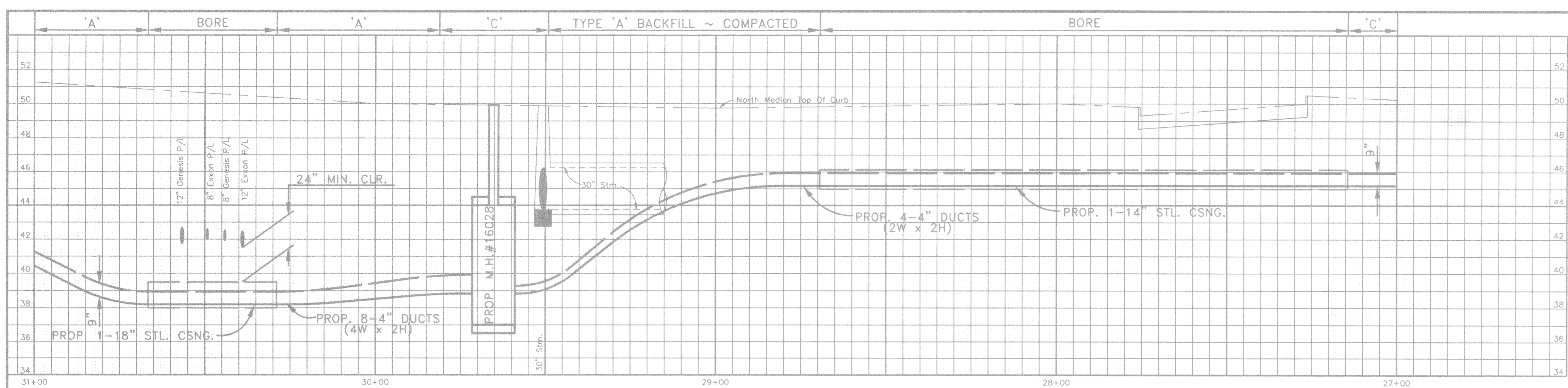


EXIST. 3" SUBSCRIBER DUCT

EXIST. 2 DUCTS FOR CONNECTION TO M.H.. #16027 (SHT. 152)

EXIST. 4" SUBSCRIBER DUCT

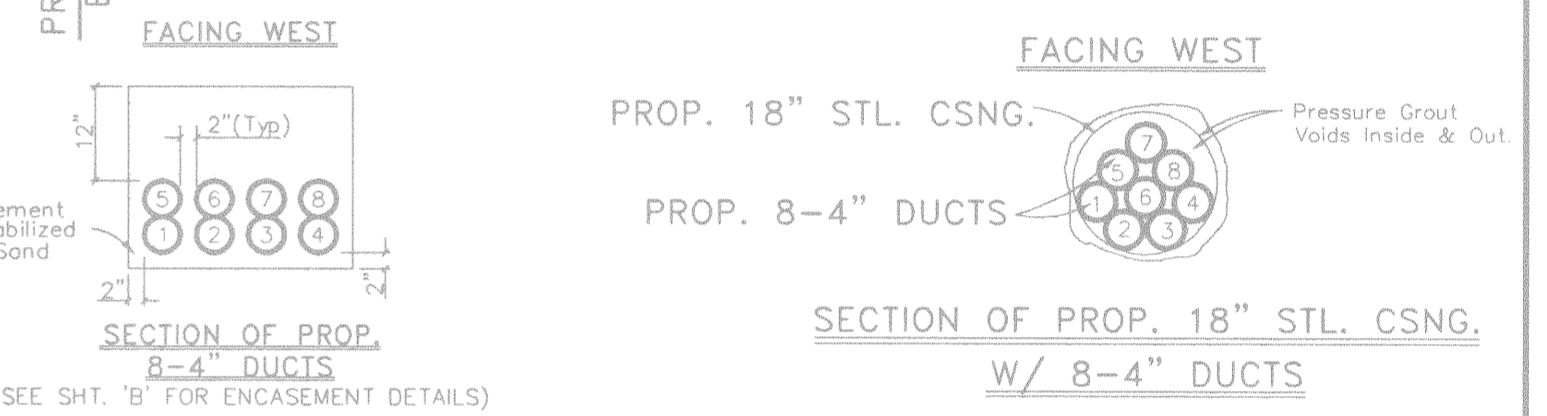
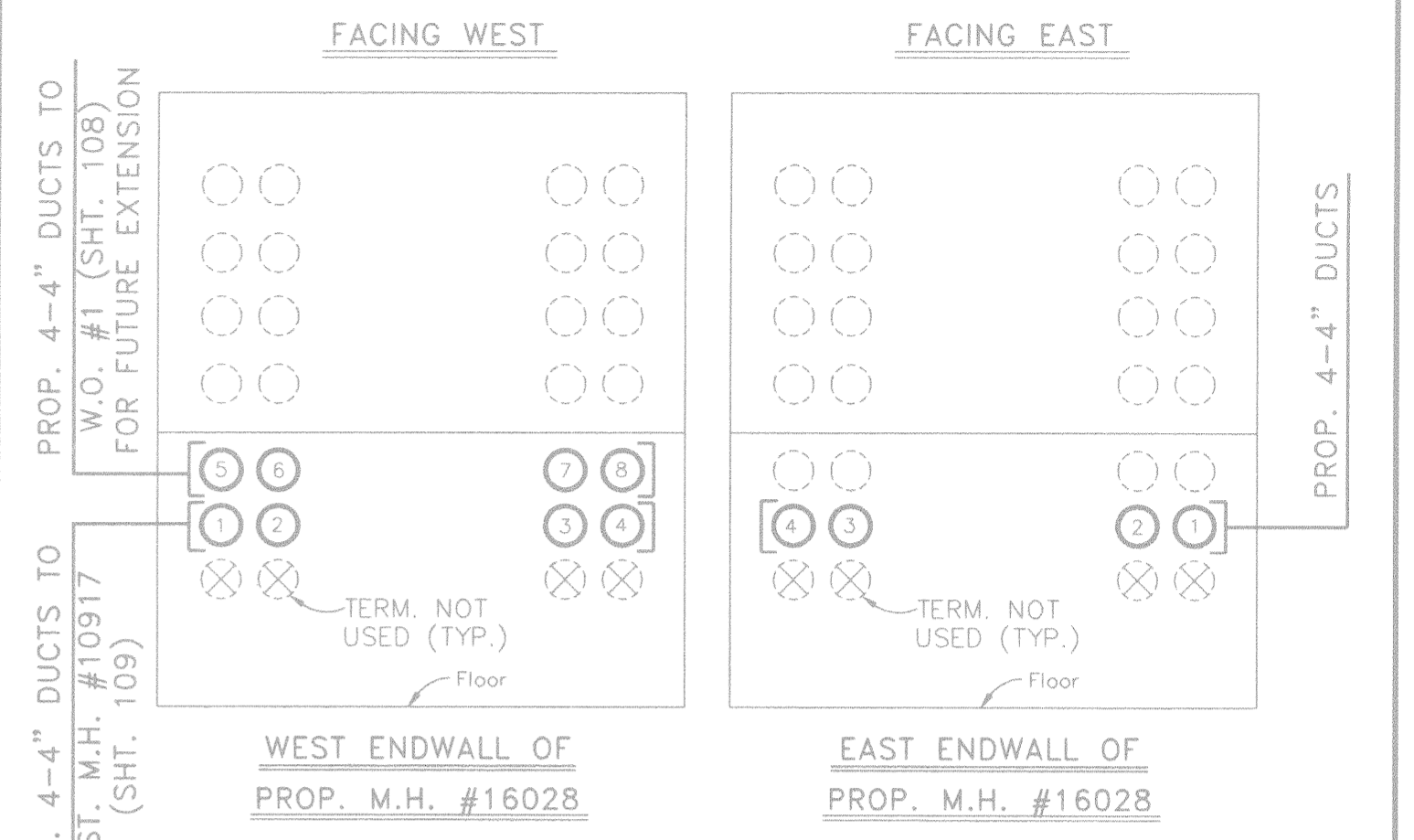
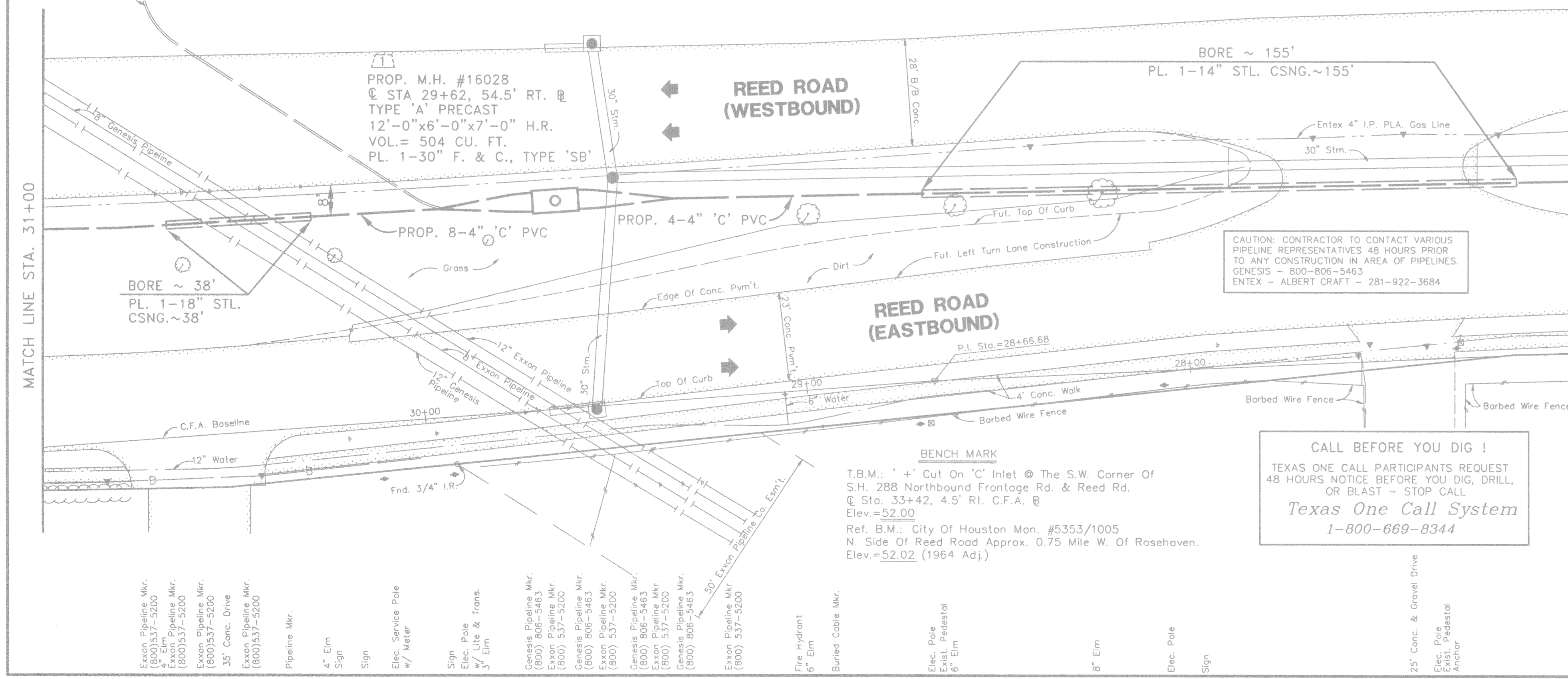
EXIST. 1 DUCT FOR TEMPORARY AERIAL FEEDER



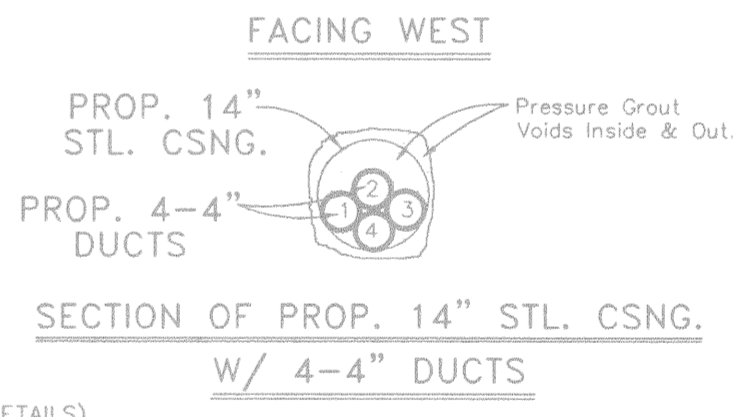
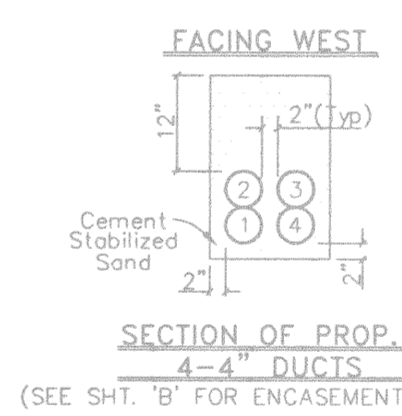
CONTRACTOR TO NOTIFY THE TEXAS EXCAVATION SAFETY SYSTEM (TESS) AT 1-800-344-8377, 48 HOURS PRIOR TO CONSTRUCTION OR CROSSING ANY PIPES.

PROP. M.H. #16028 TO EXIST. M.H. #10917 (SHT. 109)  
901' W-S, 913' C-C

PROP. M.H. #16028 TO W.O. #1 (SHT. 108)  
219' W-S, 1752' C-C



Key Map #573-A  
GIMS Map #5353D



MFRS 4C  
PLAC 1 TO 3  
OPER. RANGE

SEE SHEET 101 FOR CONSTRUCTION NOTES

OPER	ACTION CODE	MAJOR MATERIAL DESCRIPTION	ACCT. CODE	ML OR AMT.	PL	BORE	REMOVALS
							AMOUNT MORT. DATE
1	PLAC	MANHOLE	4C			1	
2	PLAC	TRENCH-8-MPC	4C	219'		38'	
3	PLAC	PVC-C-4", 8	4C	1752'			

**CITY OF HOUSTON**  
DEPARTMENT OF PUBLIC WORKS AND ENGINEERING

REVIEWED BY

PRIVATELY FUNDED PUBLIC WORKS	CITY FUNDED PUBLIC WORKS
WATER	PROJECT MANAGER
WASTEWATER	CONSTRUCTION
STORM WATER	CHIEF ENGINEER
STREET & BRIDGE	OTHER APPROVAL
TRAFFIC AND TRANSPORTATION	SPONSOR DEPARTMENT

CITY ENGINEER \_\_\_\_\_ DATE \_\_\_\_\_  
DIRECTOR OF PUBLIC WORKS AND ENGINEERING \_\_\_\_\_ DATE \_\_\_\_\_

**Southwestern Bell Telephone**  
**REED ROAD**  
**HOUSTON, TEXAS**

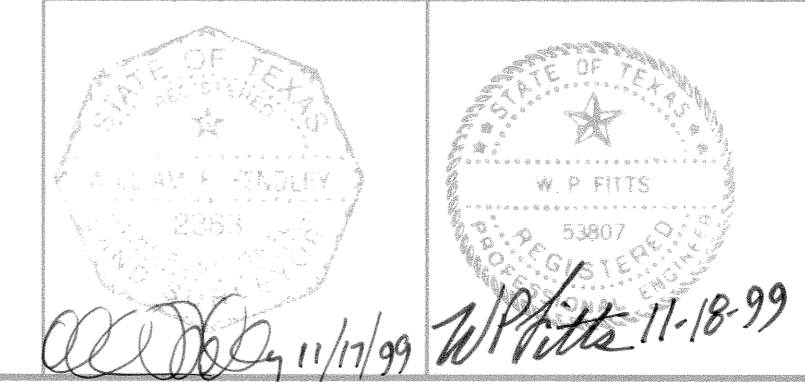
SCALE: PLAN 1"= 20' PROFILE VERT. 1"= 4' PROFILE HORIZ. 1"= 20'

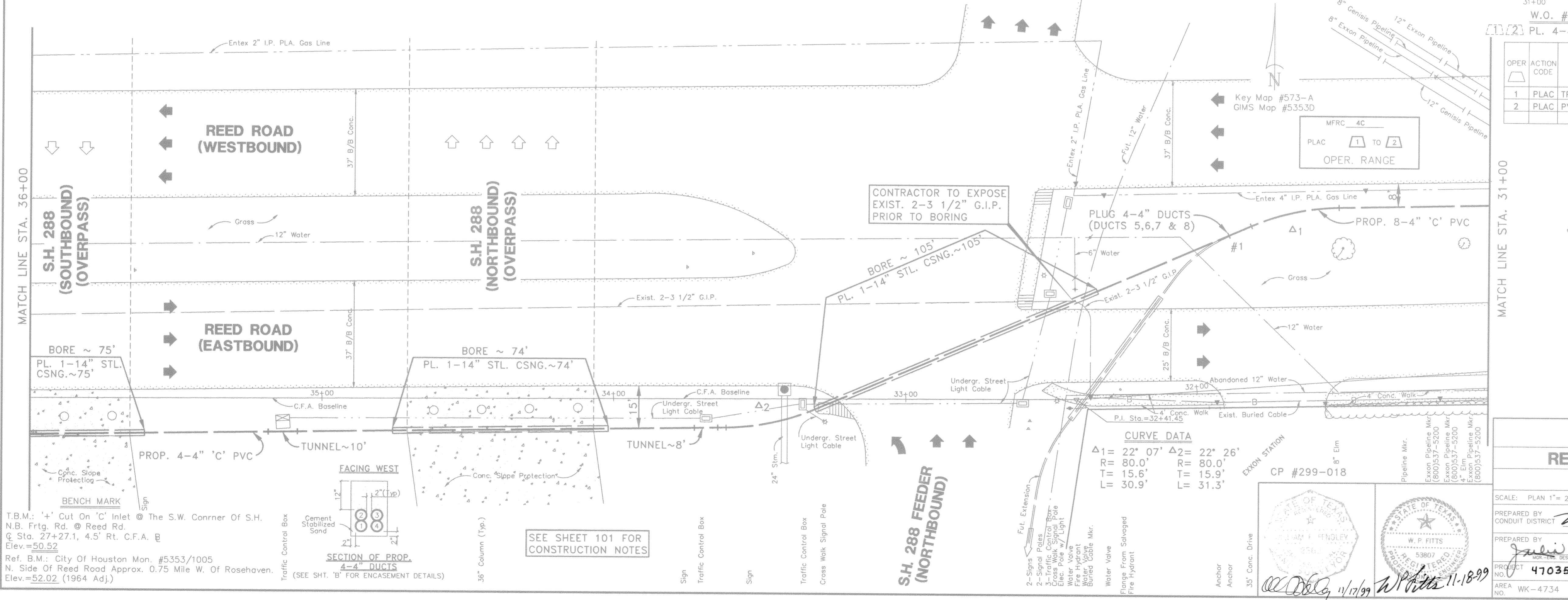
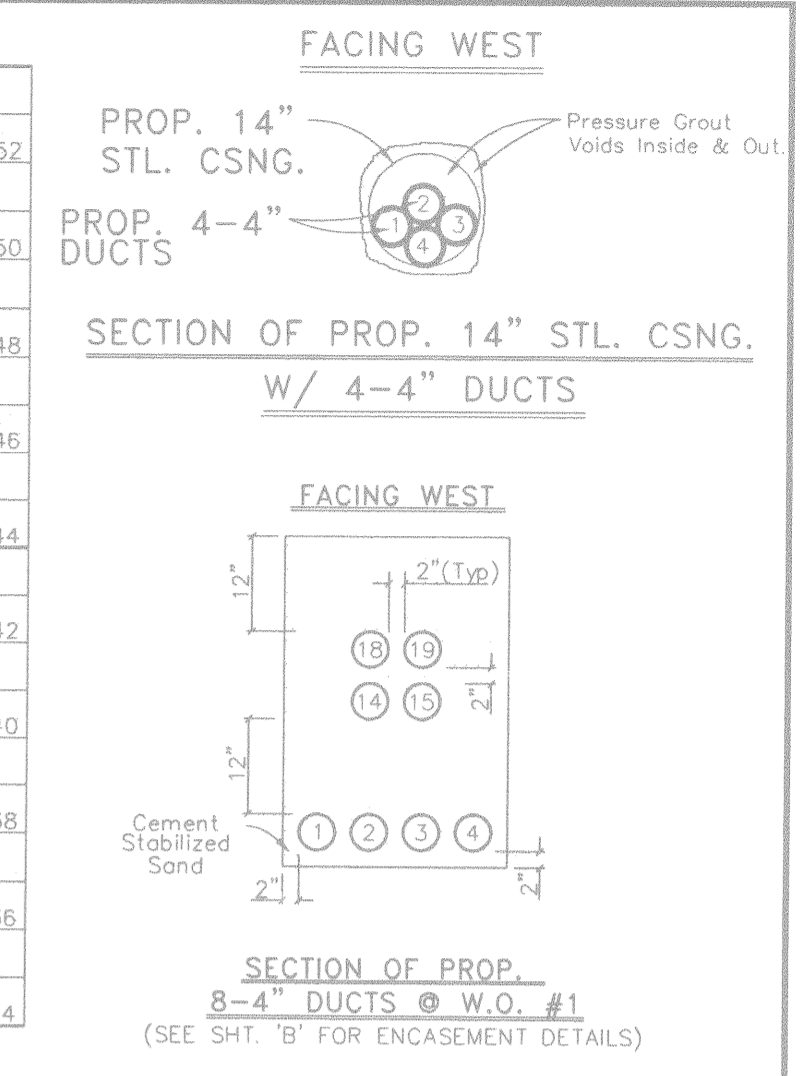
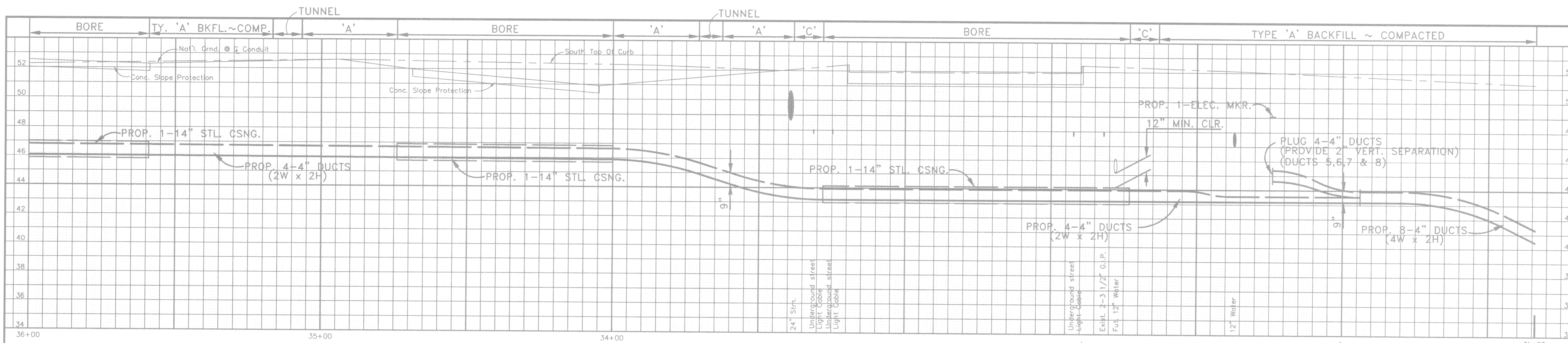
PREPARED BY *W.P. Pitts* MGR.-ENG. DESIGN DRAWN BY A.T. ISSUE DATE 02-04-00

PREPARED BY *Jacob A. Driller* MGR.-ENG. DESIGN *John E. Evers* ARE MGR.-ENG. DESIGN

PROJECT NO. 4703545 REC REF 104,105,106 SHEET 107

AREA NO. WK-4734 C.O. REPUBLIC "734" TAX DIST. HG-031





W.O. #1 TO W.O. #1 (SHT. 109)  
PL. 4-4" 'C' PVC ~ 657' S-S, (2628 D.F.)(4C)

OPER	ACTION CODE	MAJOR MATERIAL DESCRIPTION	ACCT. CODE	ML OR AMT.	PL	BORE	REMOVALS
							AMOUNT
1	PLAC	TRENCH-4-MPC	4C	657'		331'	
2	PLAC	PVC-C-4", 4	4C		2628'		

**CITY OF HOUSTON**  
DEPARTMENT OF PUBLIC WORKS AND ENGINEERING

REVIEWED BY

PRIVATELY FUNDED PUBLIC WORKS	CITY FUNDED PUBLIC WORKS
WATER	PROJECT MANAGER
WASTEWATER	CONSTRUCTION
STORM WATER	CHIEF ENGINEER
STREET & BRIDGE	SPONSOR DEPARTMENT

OTHER APPROVAL

CITY ENGINEER \_\_\_\_\_ DATE \_\_\_\_\_

DIRECTOR OF PUBLIC WORKS AND ENGINEERING \_\_\_\_\_ DATE \_\_\_\_\_

**Southwestern Bell Telephone**

**REED ROAD @ S.H. 288**  
HOUSTON, TEXAS

SCALE: PLAN 1"= 20' PROFILE VERT. 1"= 4' PROFILE HORIZ. 1"= 20'

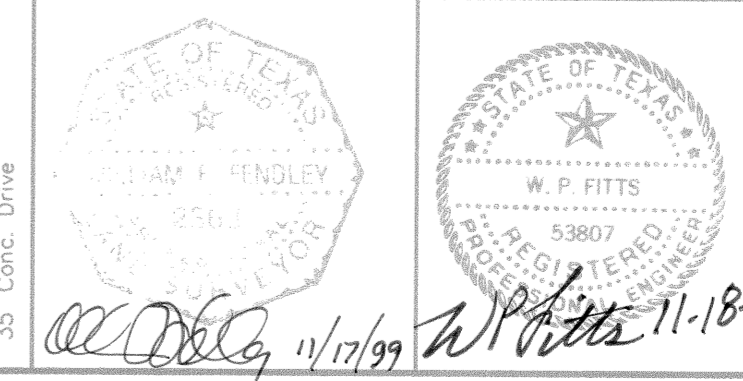
PREPARED BY: *W.P. Pitts* CONDUIT DISTRICT: *W.P. Pitts* DRAWN BY: CFA/AT ISSUE DATE: 02-04-00

PREPARED BY: *Julie A. Miller* (MGR-ENG DESIGN) *John E. Evans* (MGR-ENG DESIGN)

PROJECT NO. 4703545 REC REF AREA NO. WK-4734 TAX DIST. c.o.REPUBLIC '734 HC-031 SHEET 108

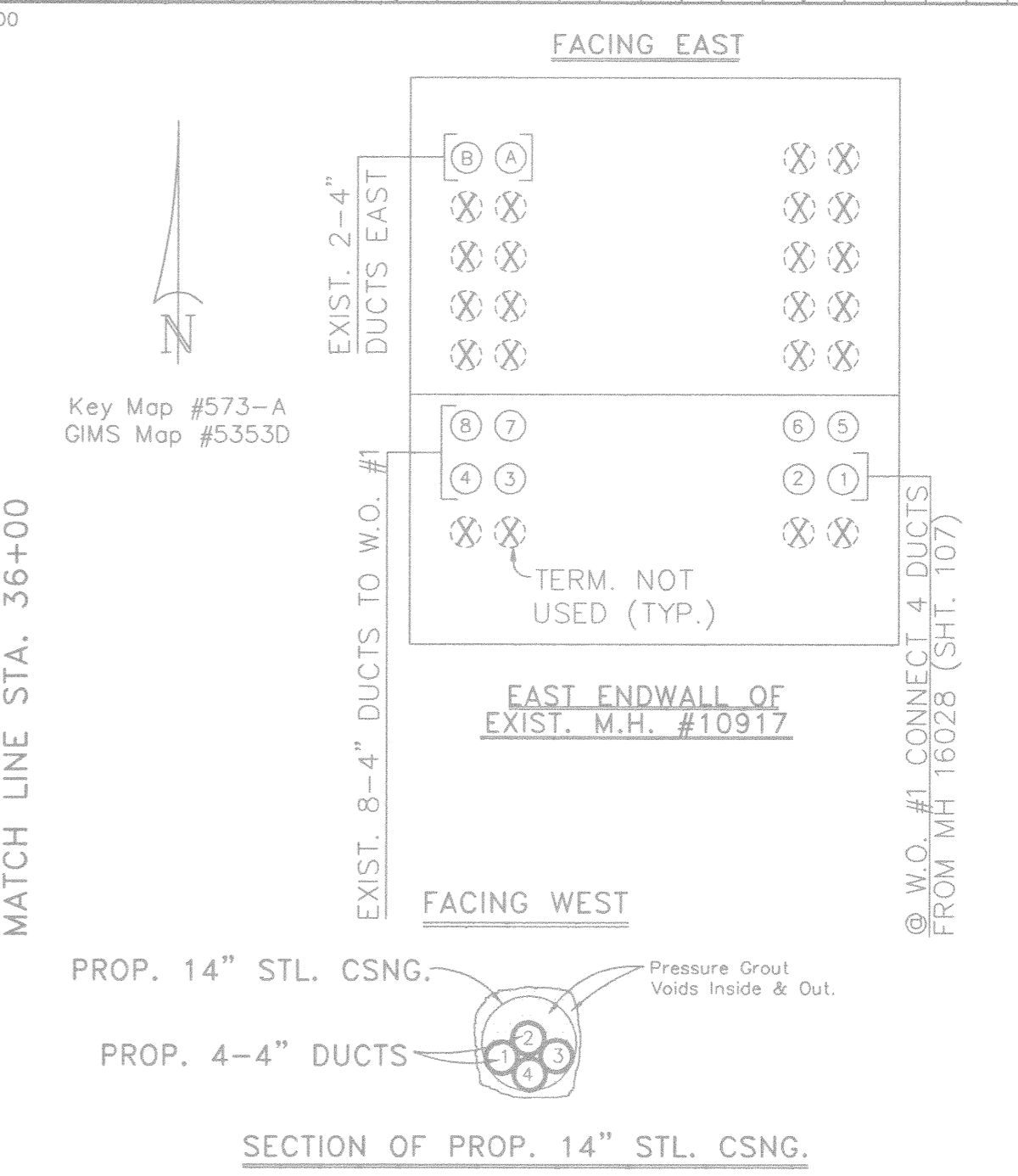
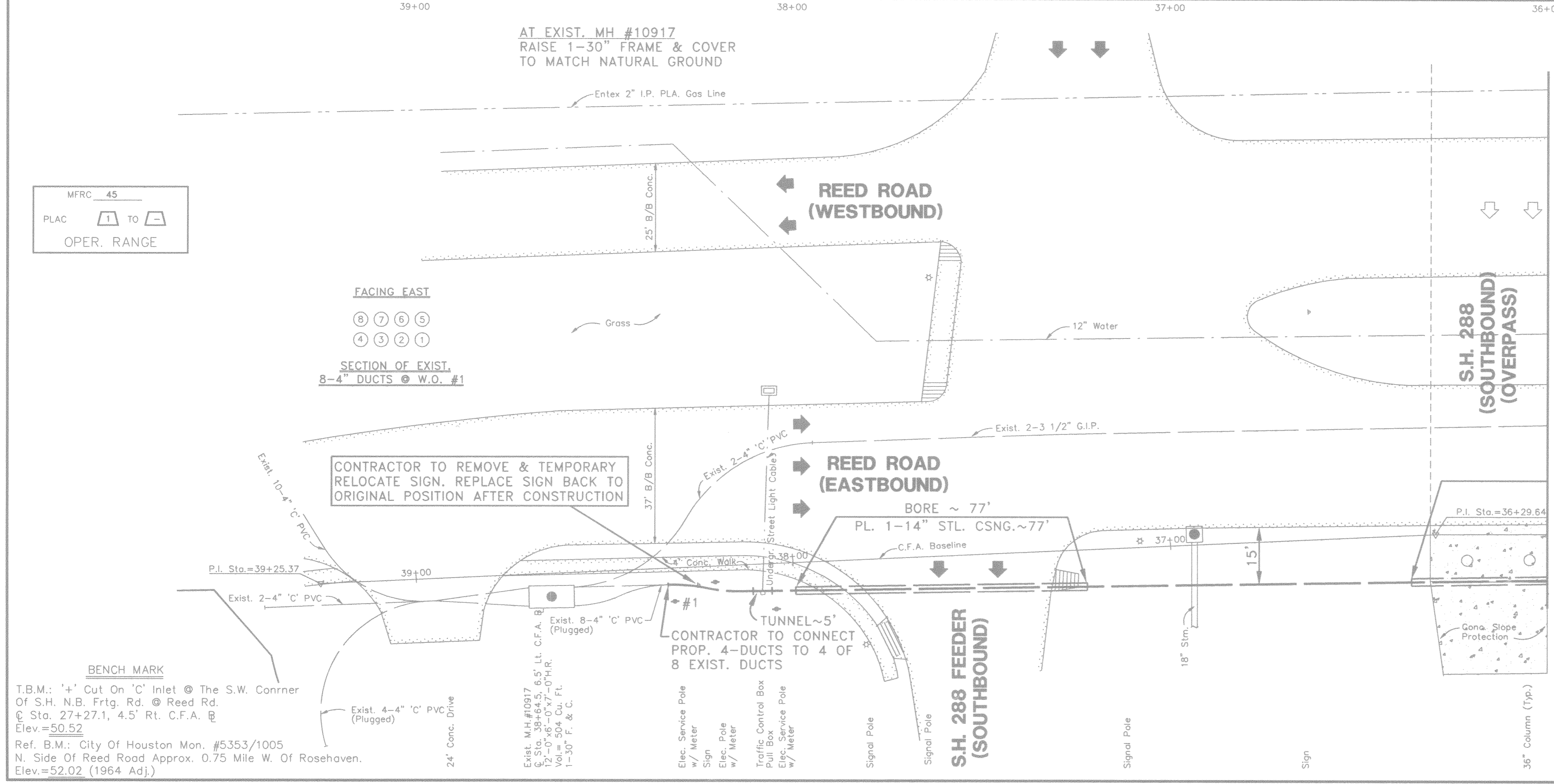
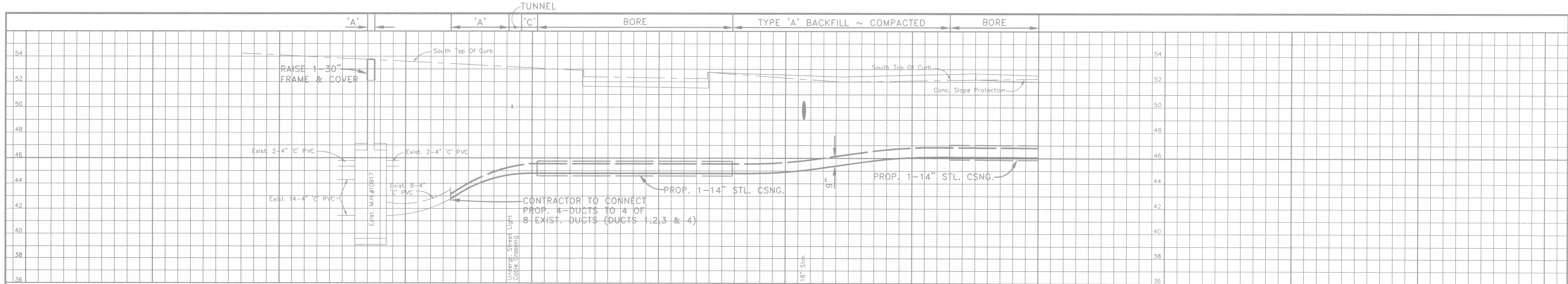
**CURVE DATA**

Δ1 = 22° 07'	Δ2 = 22° 26'
R = 80.0'	R = 80.0'
T = 15.6'	T = 15.9'
L = 30.9'	L = 31.3'



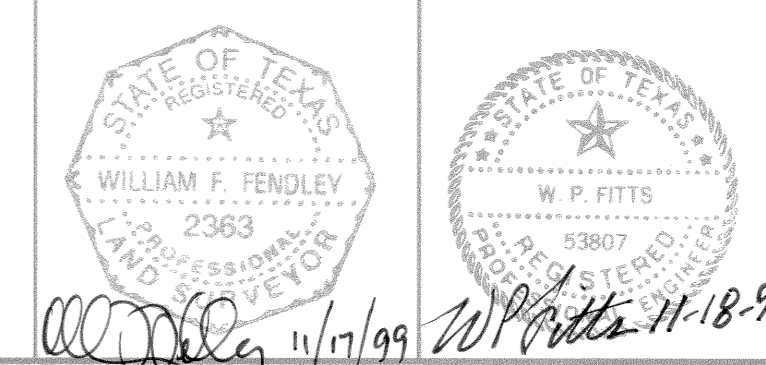
B.M.: '+' Cut On 'C' Inlet @ The S.W. Corner Of S.H. N.B. Frtg. Rd. @ Reed Rd. Sta. 27+27.1, 4.5' Rt. C.F.A. Elev. = 50.52  
Ref. B.M.: City Of Houston Mon. #5353/1005 N. Side Of Reed Road Approx. 0.75 Mile W. Of Rosehaven. Elev. = 52.02 (1964 Adj.)

SEE SHEET 101 FOR CONSTRUCTION NOTES



CITY OF HOUSTON DEPARTMENT OF PUBLIC WORKS AND ENGINEERING	
PRIVATELY FUNDED PUBLIC WORKS	CITY FUNDED PUBLIC WORKS
WATER	PROJECT MANAGER
WASTEWATER	CONSTRUCTION
STORM WATER	CHIEF ENGINEER
STREET & BRIDGE	OTHER APPROVAL
TRAFFIC AND TRANSPORTATION	SPONSOR DEPARTMENT
CITY ENGINEER	DATE
DIRECTOR OF PUBLIC WORKS AND ENGINEERING	DATE

Southwestern Bell Telephone	
<b>REED ROAD @ S.H. 288</b>	
HOUSTON, TEXAS	
SCALE: PLAN 1"= 20'	PROFILE VERT. 1"= 4'
PROFILE HORIZ. 1"= 20'	
PREPARED BY CONDUIT DISTRICT <i>W.P. Fitts</i>	DRAWN BY A.T.
ISSUE DATE 02-04-00	
PREPARED BY <i>Julio A. Miller</i>	<i>John E. Brown</i>
PROJECT NO. 4703545	REC REF 104,105,106
SHEET 109	
AREA NO. WK-4734	C.O. REPUBLIC "734" TAX DIST. HG-031



CFA Inc. 931721p9.dwg ac09=20 11/17/99 14:44 SHANN

**BENCH MARK**  
 T.B.M.: '+' Cut On 'C' Inlet @ The S.W. Corner  
 Of S.H. N.B. Frtg. Rd. @ Reed Rd.  
 C. Sta. 27+27.1, 4.5' Rt. C.F.A. @  
 Elev.=50.52  
 Ref. B.M.: City Of Houston Mon. #5353/1005  
 N. Side Of Reed Road Approx. 0.75 Mile W. Of Rosehaven.  
 Elev.=52.02 (1964 Adj.)