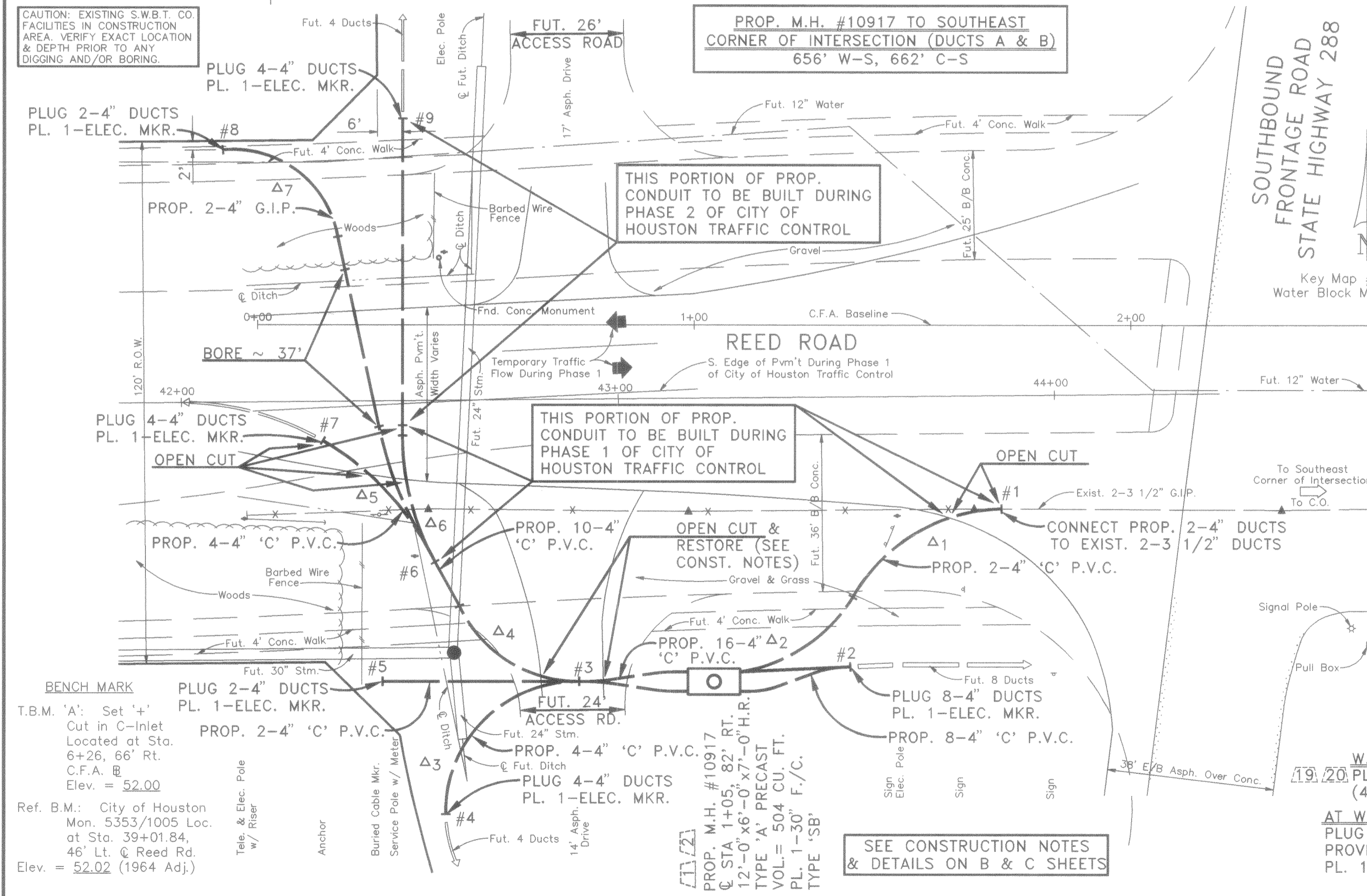
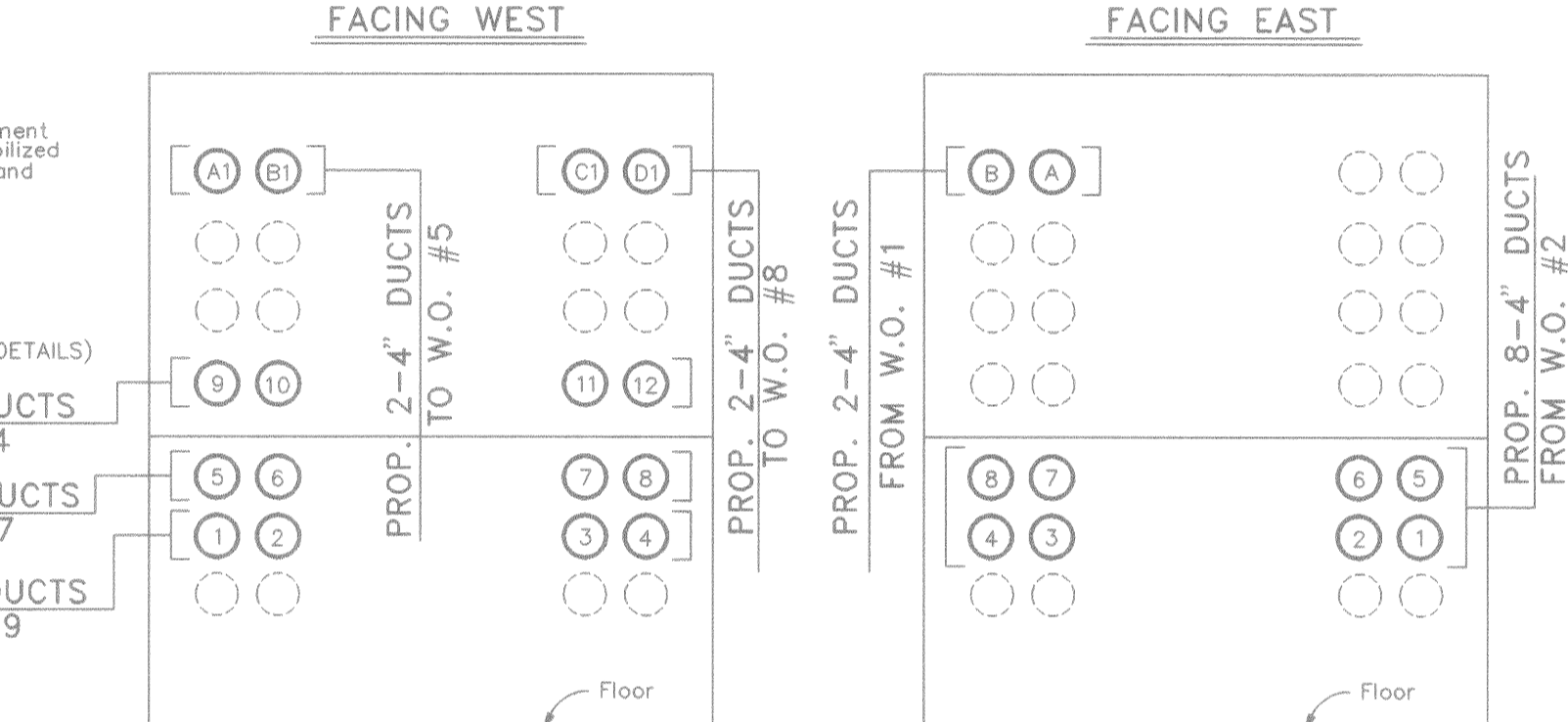
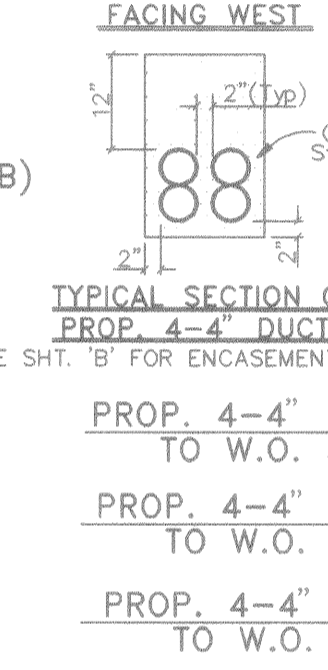


*NOTE: TY. 'C' BKFL. SHALL NOT CONFLICT WITH FUTURE SUBGRADE, FUT. STORM, OR FUT. WATER

CAUTION: EXISTING S.W.B.T. CO. FACILITIES IN CONSTRUCTION AREA. VERIFY EXACT LOCATION & DEPTH PRIOR TO ANY DIGGING AND/OR BORING.

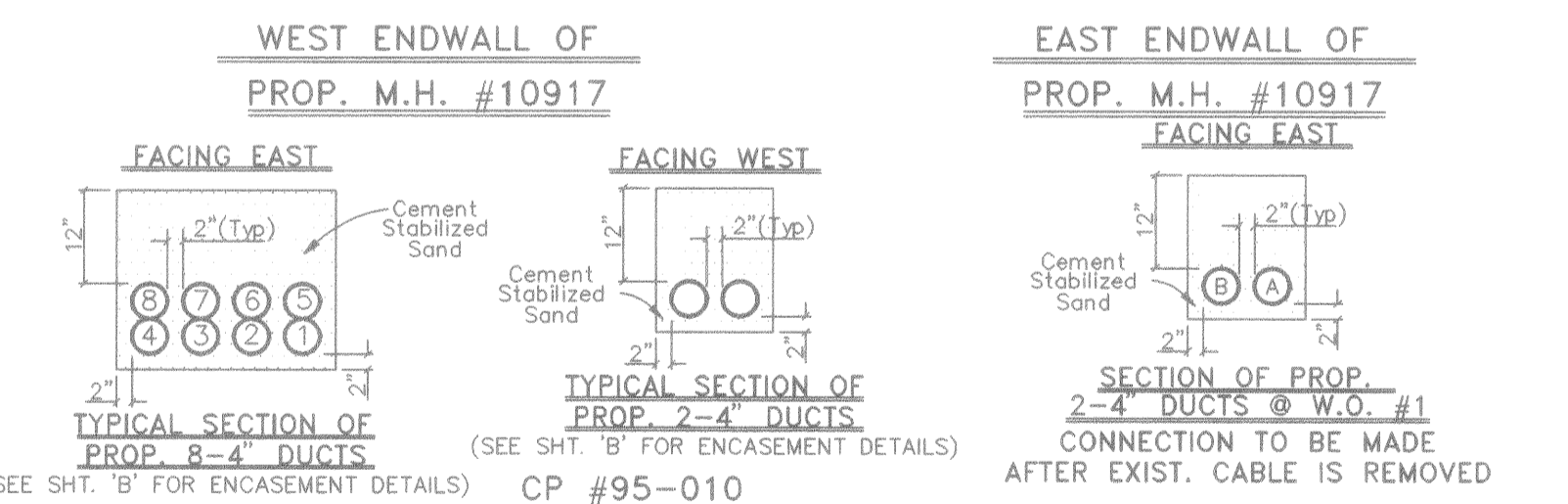


- PROP. M.H. #10917 TO W.O. #1
 [3] PL. 2-4" 'C' PVC~73' W-S (146 D.F.)(4C)(DUCTS A & B)
 AT W.O. #1
 CONNECT PROP. 2-4" DUCTS (DU. A & B) TO EXIST. 2-3 1/2" G.I.P.
 PROP. M.H. #10917 TO W.O. #2
 [5] PL. 8-4" 'C' PVC~25' W-S (200 D.F.)(4C)(DUCTS 1-8)
 AT W.O. #2
 PLUG 8-4" DUCTS
 PROVIDE 2" VERT. SEPARATION
 PL. 1-ELEC. MKR.
 PROP. M.H. #10917 TO W.O. #3
 [7] PL. 12-4" 'C' PVC~25' W-S (300 D.F.)(4C)(DUCTS 1-12)
 [9] PL. 4-4" 'C' PVC~25' W-S (100 D.F.)(45C)(DUCTS A1-D1)
 W.O. #3 TO W.O. #4
 [10] PL. 4-4" 'C' PVC~48' S-S (192 D.F.)(4C)(DUCTS 9-12)
 W.O. #3 TO W.O. #5
 [12] PL. 2-4" 'C' PVC~45' S-S (90 D.F.)(45C)(DUCTS A1 & B1)
 W.O. #3 TO W.O. #6
 [13] PL. 8-4" 'C' PVC~46' S-S (368 D.F.)(4C)(DUCTS 1-8)
 [14] PL. 2-4" 'C' PVC~46' S-S (92 D.F.)(45C)(DUCTS C1 & D1)
 W.O. #6 TO W.O. #7
 [16] PL. 4-4" 'C' PVC~39' S-S (156 D.F.)(4C)(DUCTS 5-8)
 W.O. #6 TO W.O. #8
 [18] PL. 2-4" GIP~115' S-S (230 D.F.)(45C)(DUCTS C1 & D1)
 AT W.O. #5 & W.O. #8
 PLUG 2-4" DUCTS
 PL. 1-ELEC. MKR.
 W.O. #6 TO W.O. #9
 [19] PL. 4-4" 'C' PVC~103' S-S (412 D.F.)(4C)(DUCTS 1-4)
 AT W.O. #4, W.O. #7 & W.O. #9
 PLUG 4-4" DUCTS
 PROVIDE 2" VERT. SEPARATION
 PL. 1-ELEC. MKR.



CURVE DATA

Δ1= 59° 19'	Δ2= 49° 14'
R= 40.0'	R= 37.1'
T= 22.7'	T= 17.0'
L= 41.4'	L= 31.9'
Δ3= 91° 20'	Δ4= 65° 24'
R= 30.0'	R= 30.0'
T= 30.7'	T= 19.2'
L= 47.8'	L= 34.2'
Δ5= 33° 55'	Δ6= 28° 56'
R= 65.0'	R= 60.6'
T= 19.8'	T= 15.5'
L= 38.4'	L= 30.3'
Δ7= 85° 14'	
R= 24.3'	
T= 22.4'	
L= 36.2'	



S.W.B.T. UNDERGROUND STRUCTURES REARRANGEMENTS FOR CITY OF HOUSTON
 PAVING PROJECT ~ REED ROAD, ALMEDA ROAD TO STATE HIGHWAY 288

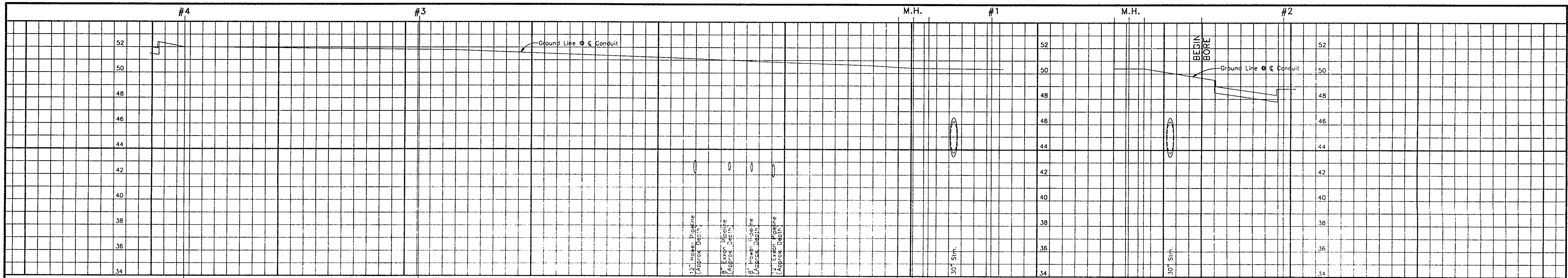
APPROVALS		 REED ROAD @ STATE HWY. 288 HOUSTON, TEXAS	
TRAFFIC & SIGNAL DESIGN	STORM SEWER DESIGN	SCALE: PLAN 1"=20'	PROFILE VERT. 1"=4'
WASTEWATER DESIGN	STREET, BRIDGE & RIGHT-OF-WAY	PREPARED BY: <i>W.P. Pitts</i>	ISSUE DATE: 6-30-95
WATER DESIGN		PREPARED BY: <i>W.P. Pitts</i>	
CITY ENGINEER	DIRECTOR OF PUBLIC WORKS & ENGINEERING	JOB NO. D575668	DRAWN BY: CFA/SLW
		AREA NO. WK-4734	TAX DIST. HG-031
			SHEET 101

BENCH MARK
 T.B.M. 'A': Set '+'
 Cut in C-Inlet
 Located at Sta. 6+26, 66' Rt.
 C.F.A. @
 Elev. = 52.00
 Ref. B.M.: City of Houston
 Mon. 5353/1005 Loc.
 at Sta. 39+01.84,
 46' Lt. @ Reed Rd.
 Elev. = 52.02 (1964 Adj.)

SEE CONSTRUCTION NOTES & DETAILS ON B & C SHEETS

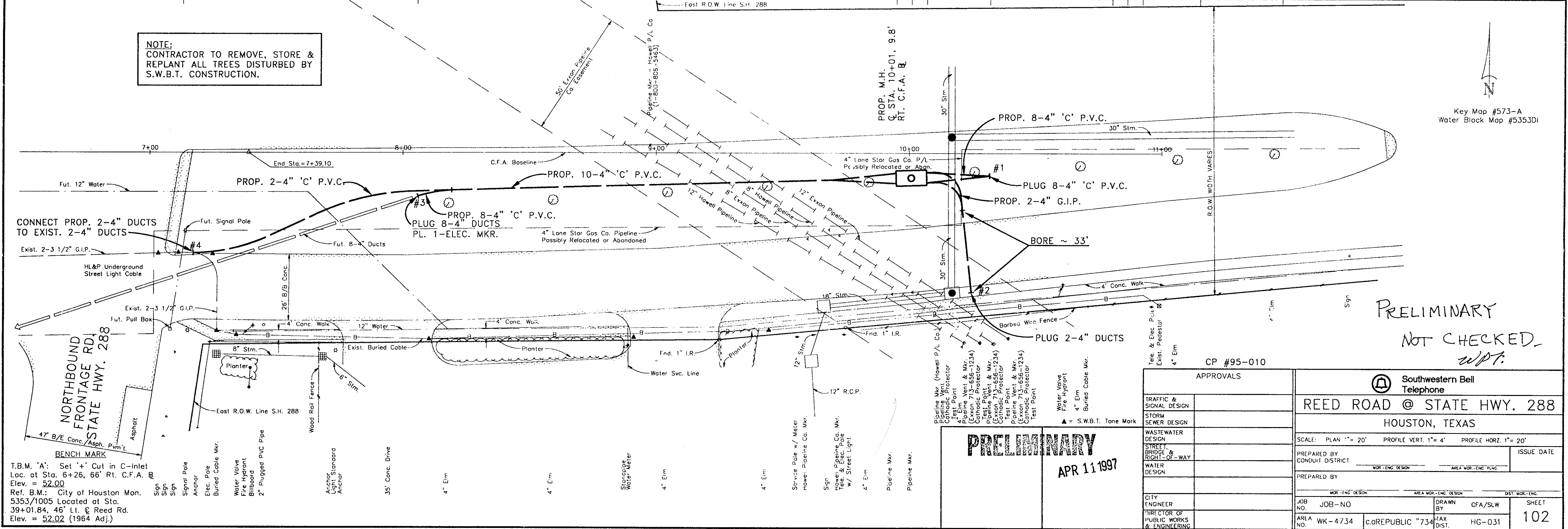
W.P. Pitts
 6-28-95

REED ROAD AT SH 288



NOTE:
CONTRACTOR TO REMOVE, STORE & REPLANT ALL TREES DISTURBED BY S.W.B.T. CONSTRUCTION.

Key Map #573-A
Water Block Map #5353D1



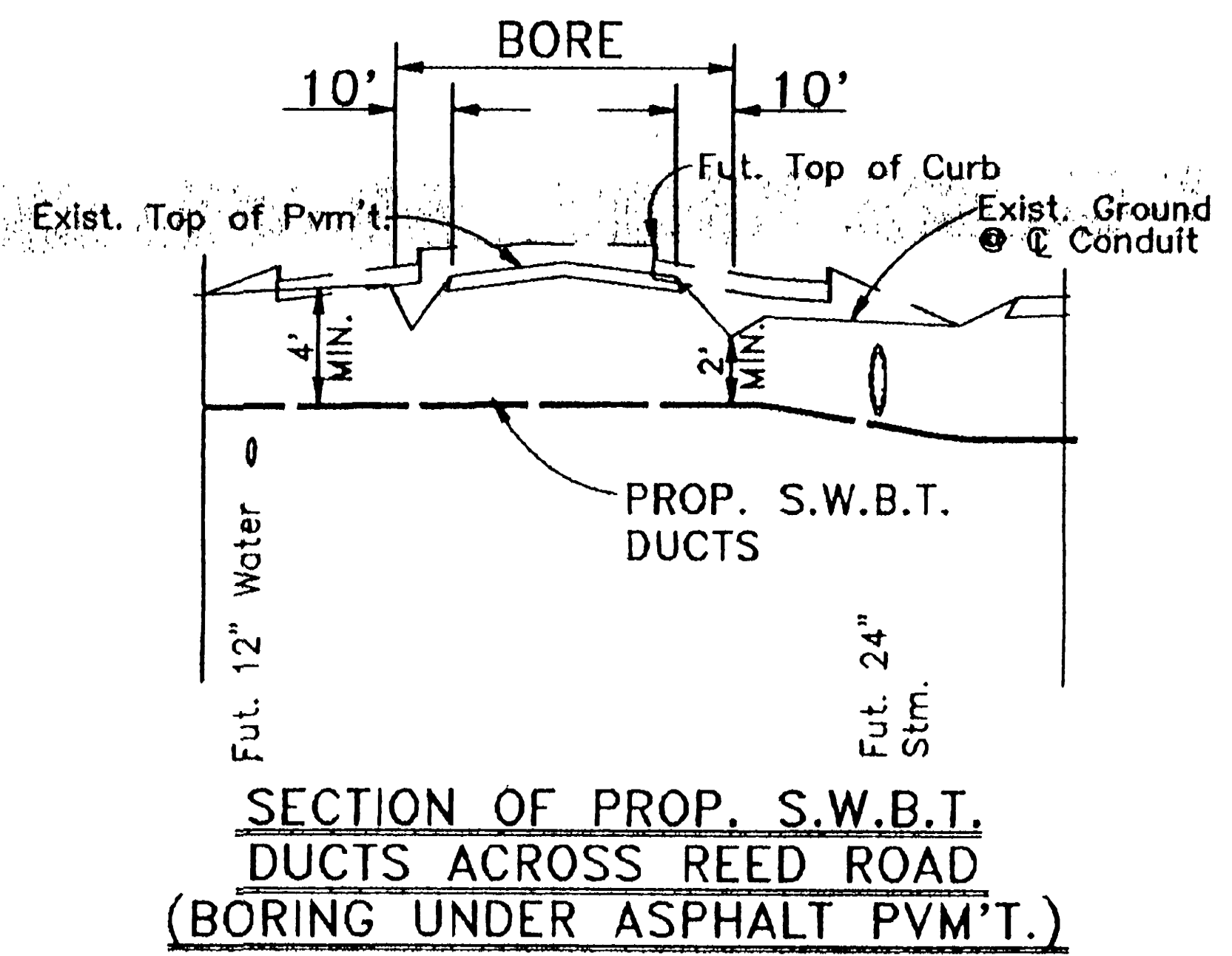
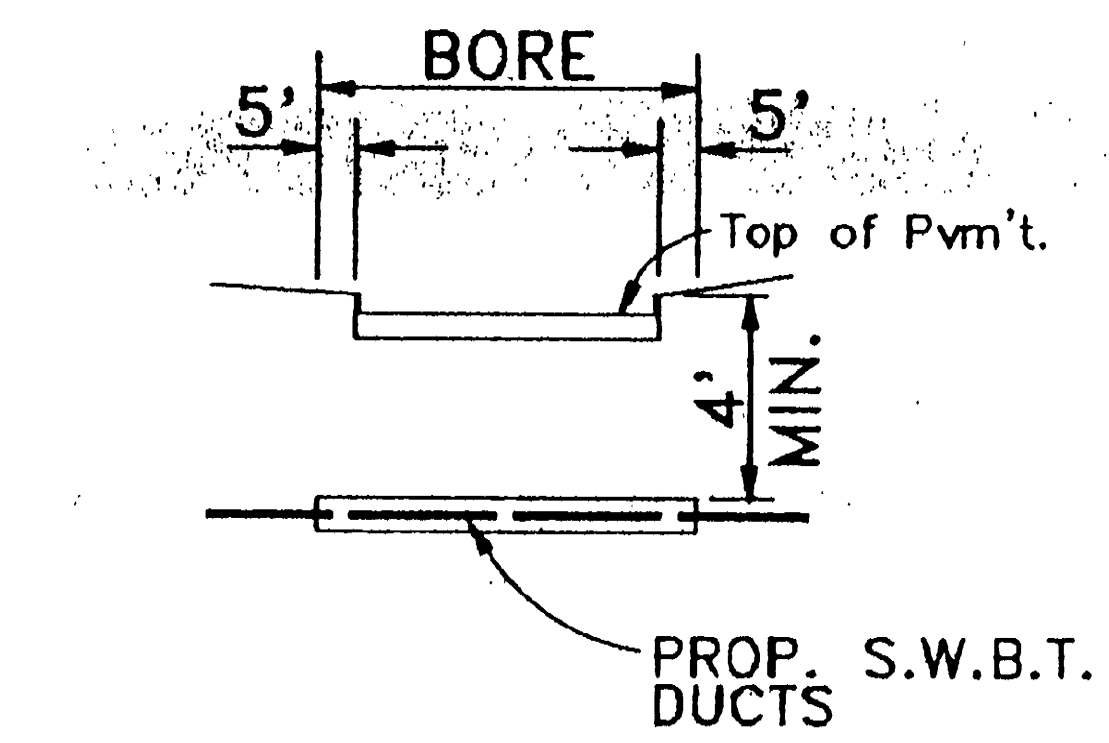
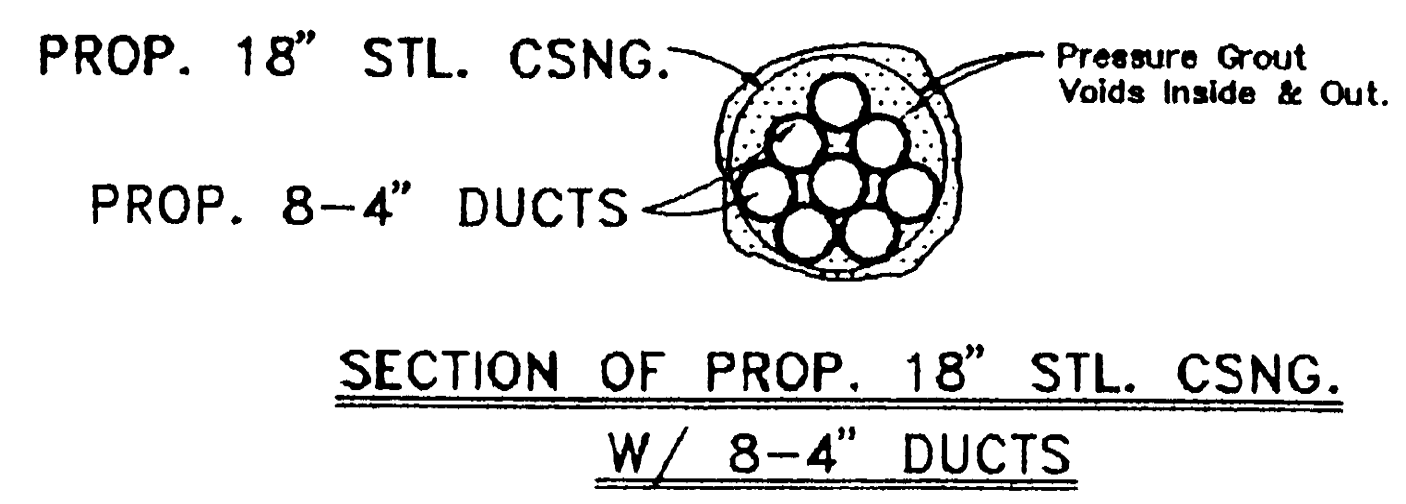
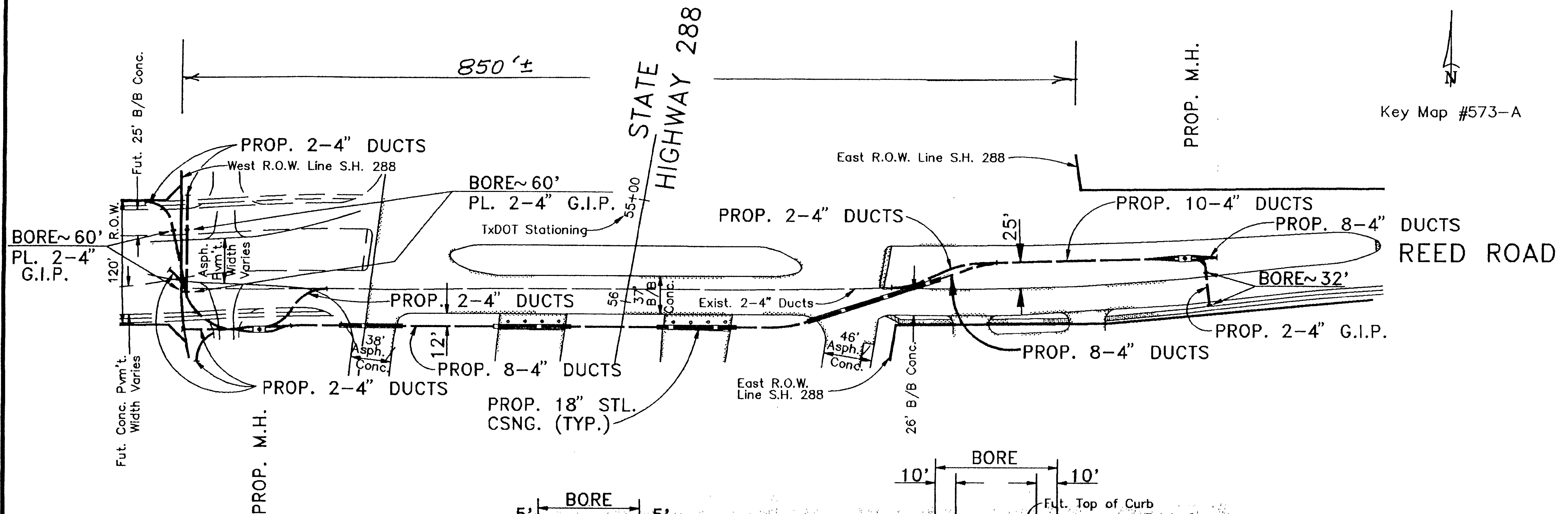
PRELIMINARY
NOT CHECKED
wpt.

APPROVALS		Southwestern Bell Telephone	
TRAFFIC & SIGNAL DESIGN		REED ROAD @ STATE HWY. 288	
STORM SEWER DESIGN		HOUSTON, TEXAS	
WASTEWATER DESIGN		SCALE: PLAN 1" = 20' PROFILE VERT. 1" = 4' PROFILE HORIZ. 1" = 20'	
STREET, BRIDGE & RIGHT-OF-WAY		PREPARED BY CONDUIT DISTRICT	
WATER DESIGN		PREPARED BY	
CITY ENGINEER		JOB NO. JOB-NO	
DIRECTOR OF PUBLIC WORKS & ENGINEERING		DRAWN BY CFA/SLW	
		SHEET 102	
		AREA NO. WK-4734 c.OREPUBLIC 734 TAX DIST. HG-031	

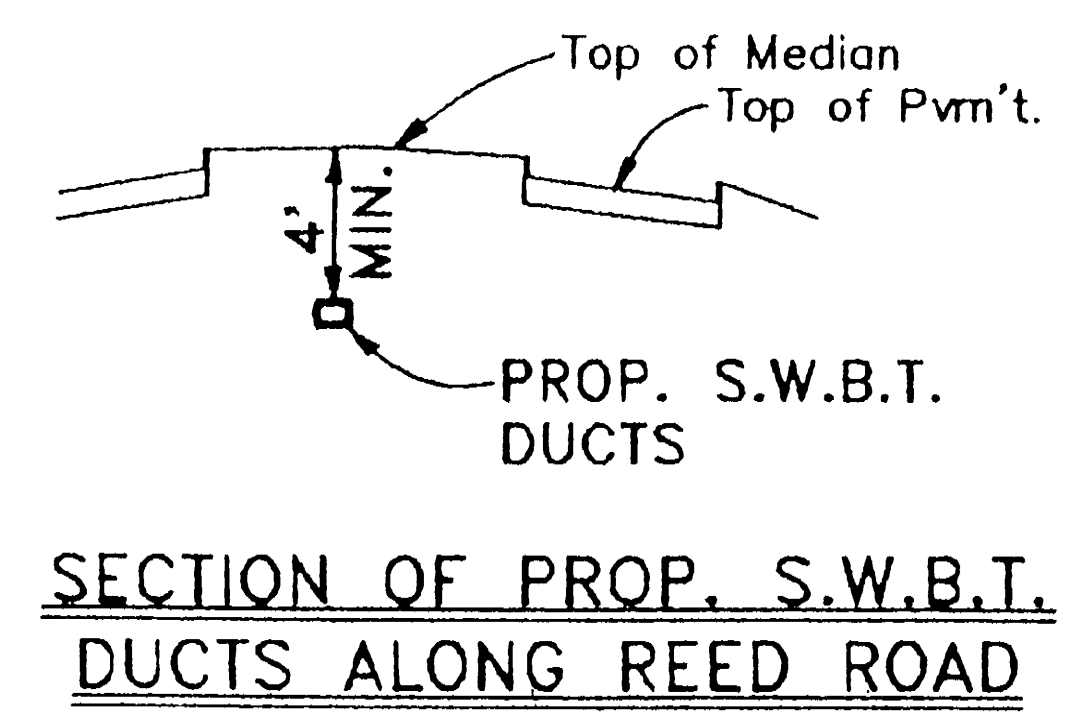
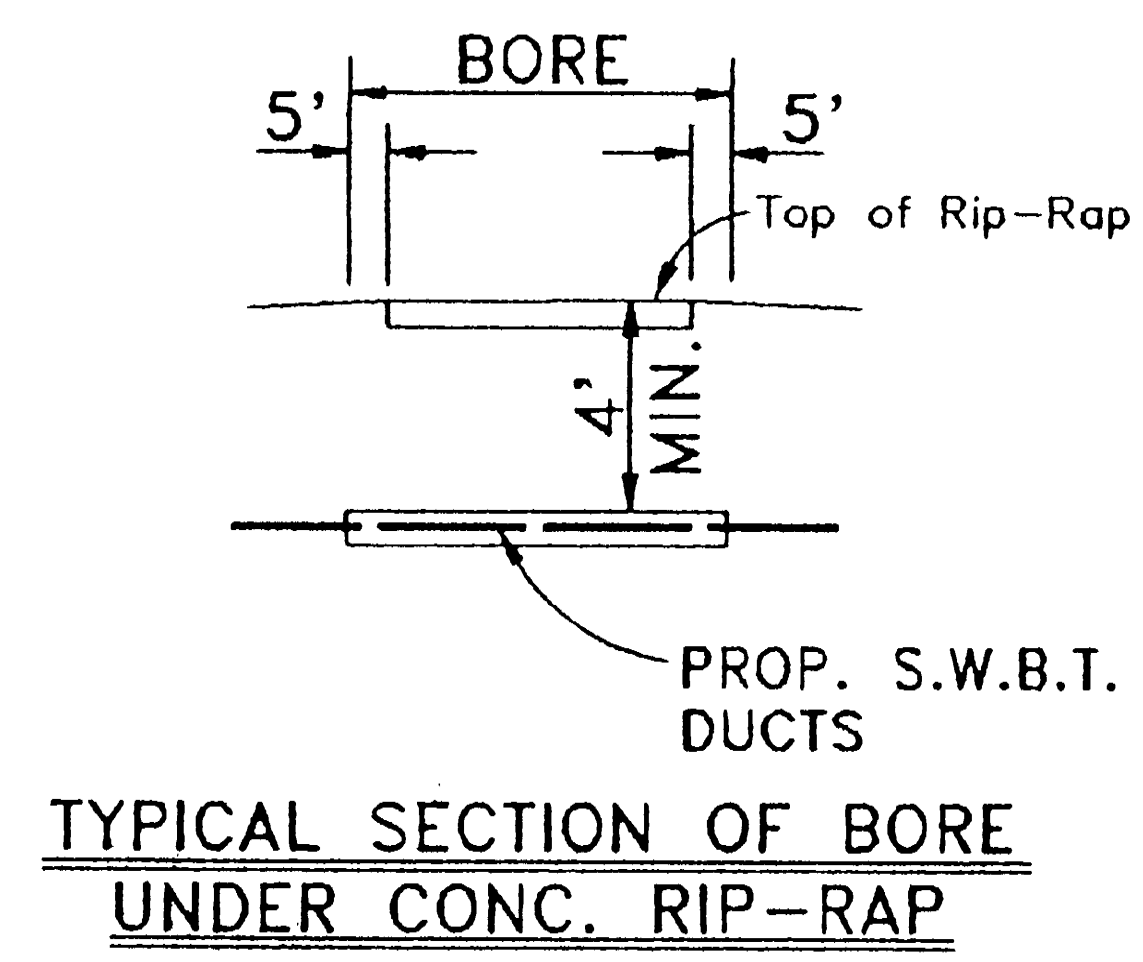
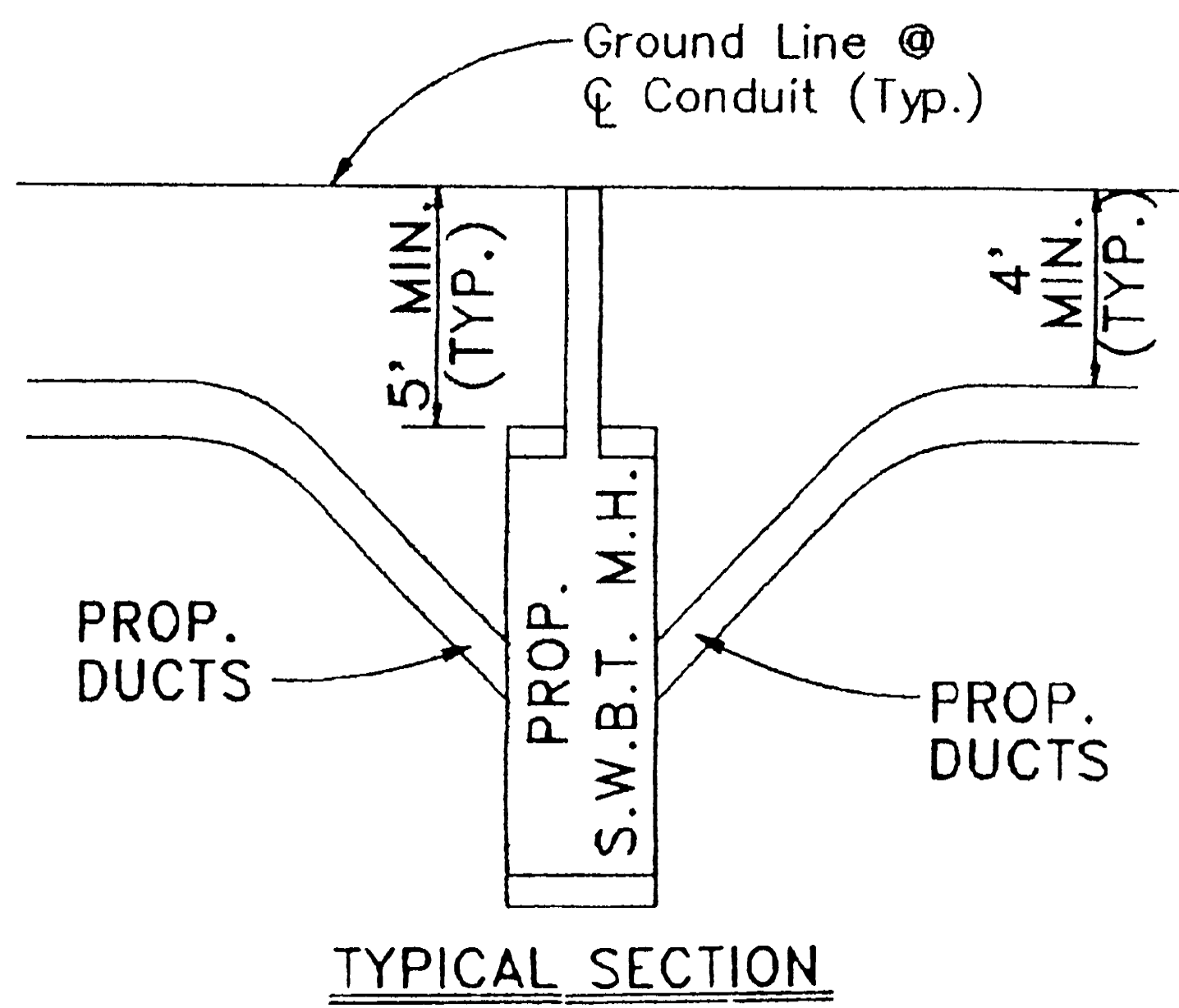
T.B.M. 'A': Set '+' Cut in C-Inlet Loc. at Sta. 6+26, 66' Rt. C.F.A. Elev. = 52.00
Ref. B.M.: City of Houston Mon. 5353/1005 Located at Sta. 39+01.84, 46' Lt. Reed Rd. Elev. = 52.02 (1964 Adj.)

PRELIMINARY
APR 11 1997

Key Map #573-A



- TEXAS DEPARTMENT OF TRANSPORTATION**
1. TELEPHONE COMPANY CONTRACTOR SHALL RESTORE RIGHT-OF-WAY TO ORIGINAL OR BETTER CONDITION WITHIN 10 DAYS AFTER WORK IS COMPLETED.
 2. ORIGINAL BACKFILL COMPACTED IN LIFTS TO COMPARABLE DENSITY.
 3. MAINTAIN EXISTING DITCHES AND CULVERTS FOR UNOBSTRUCTED DRAINAGE AT ALL TIMES.
 4. NOTIFY ASSIGNED TEXAS DEPARTMENT OF TRANSPORTATION PERSONNEL 48 HOURS PRIOR TO START OF WORK.



COMPLETION DATE _____

(D575668)

ORDER NO.	PLAT NO.
NO. OF PLATS 1	
EXCH. HOUSTON	
C.O. REPUBLIC "734"	
TAX DIST. HG-031	AREA NO. WK-4734
DATE ISSUED	DATE REVISED
PREPARED BY B.F.	DRAWN BY CFA/SW
APPROVED	
SOUTHWESTERN BELL TELEPHONE CO.	