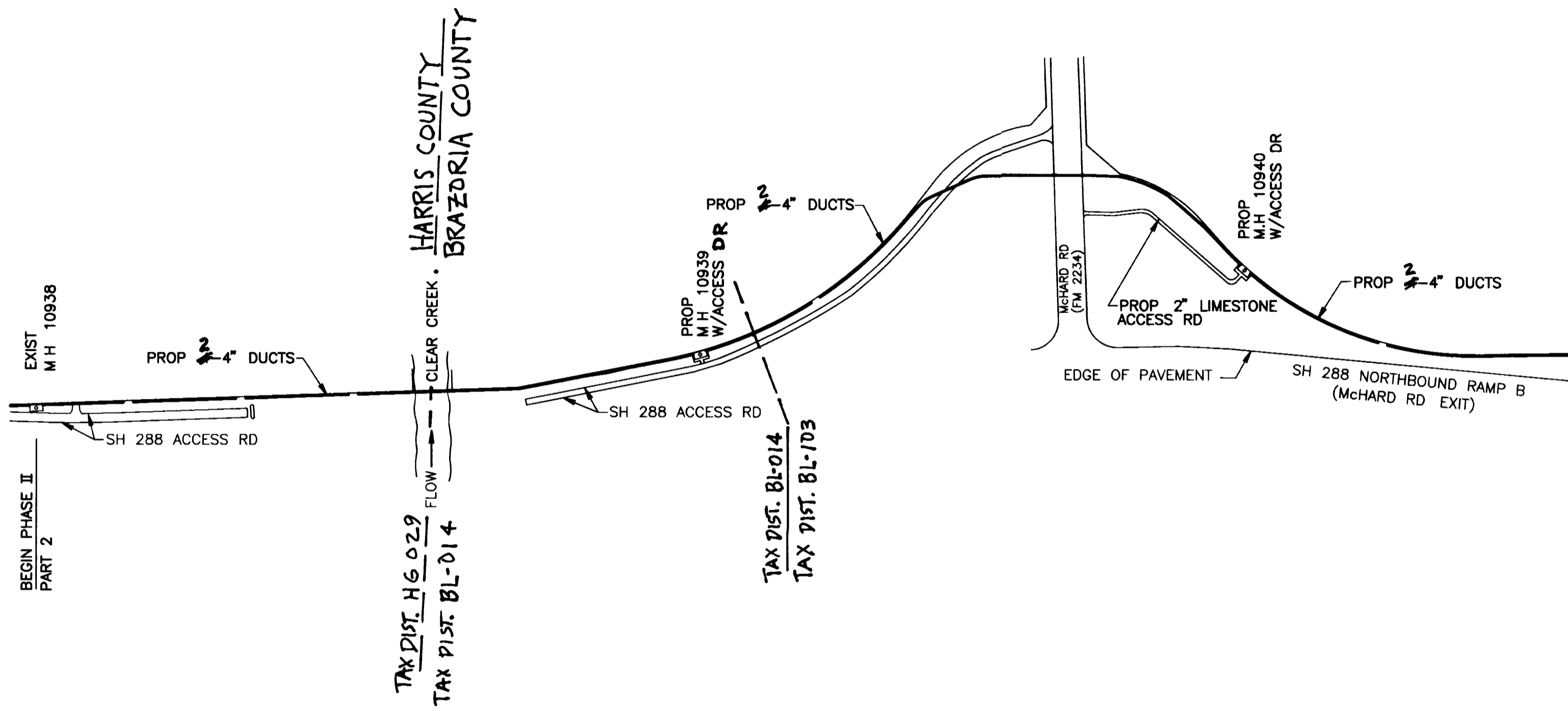
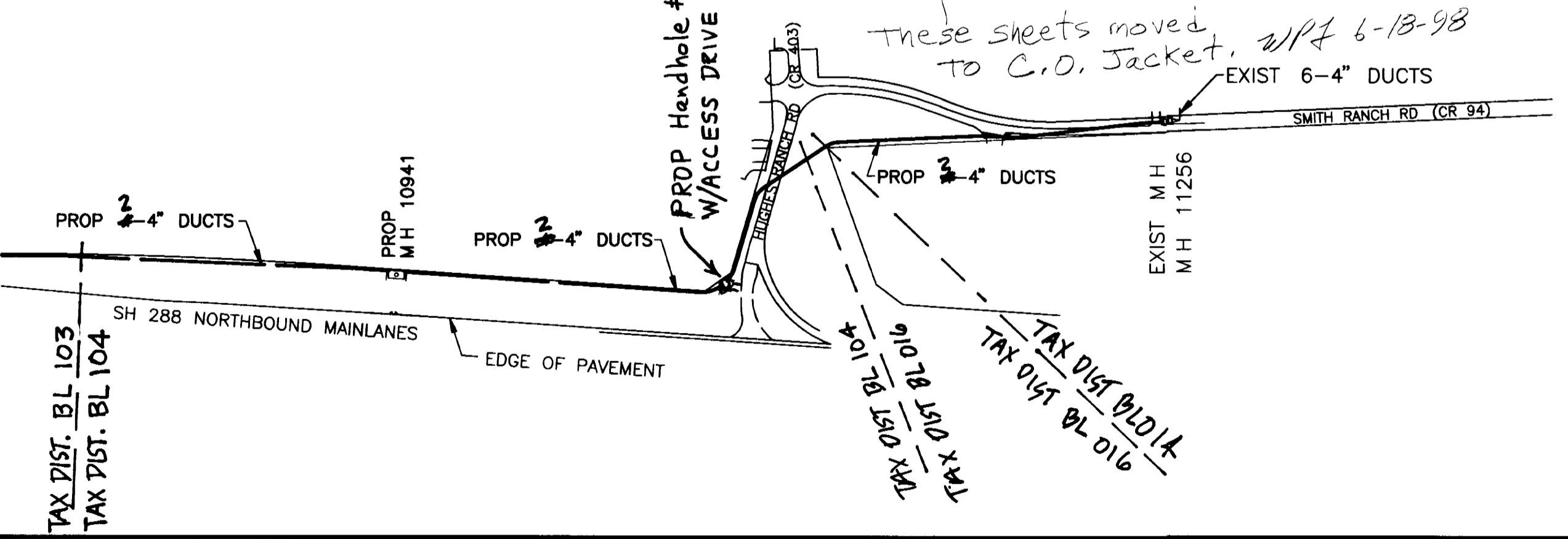


TSC ENGINEERING COMPANY
 Engineers Surveyors
 FB NO 313
 FILE INFO C:\ACAD12\311581\SW58100D.dwg 1=300 12/17/96 10:40 ADZ

SHEET 147A SHEET 148 SHEET 149 SHEET 150 SHEET 151 SHEET 152 SHEET 153 SHEET 154 SHEET 155 SHEET 156 SHEET 157 SHEET 158 SHEET 159 SHEET 160



SHEET 161 SHEET 162 SHEET 163 SHEET 164 SHEET 165 SHEET 166 SHEET 167 SHEET 168 SHEET 169



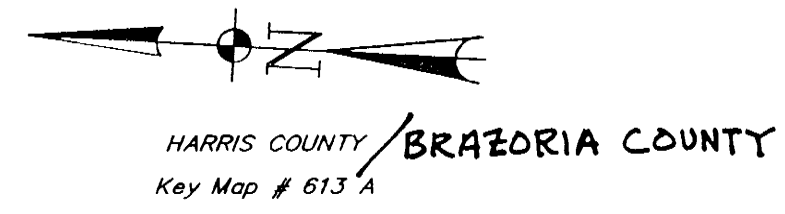
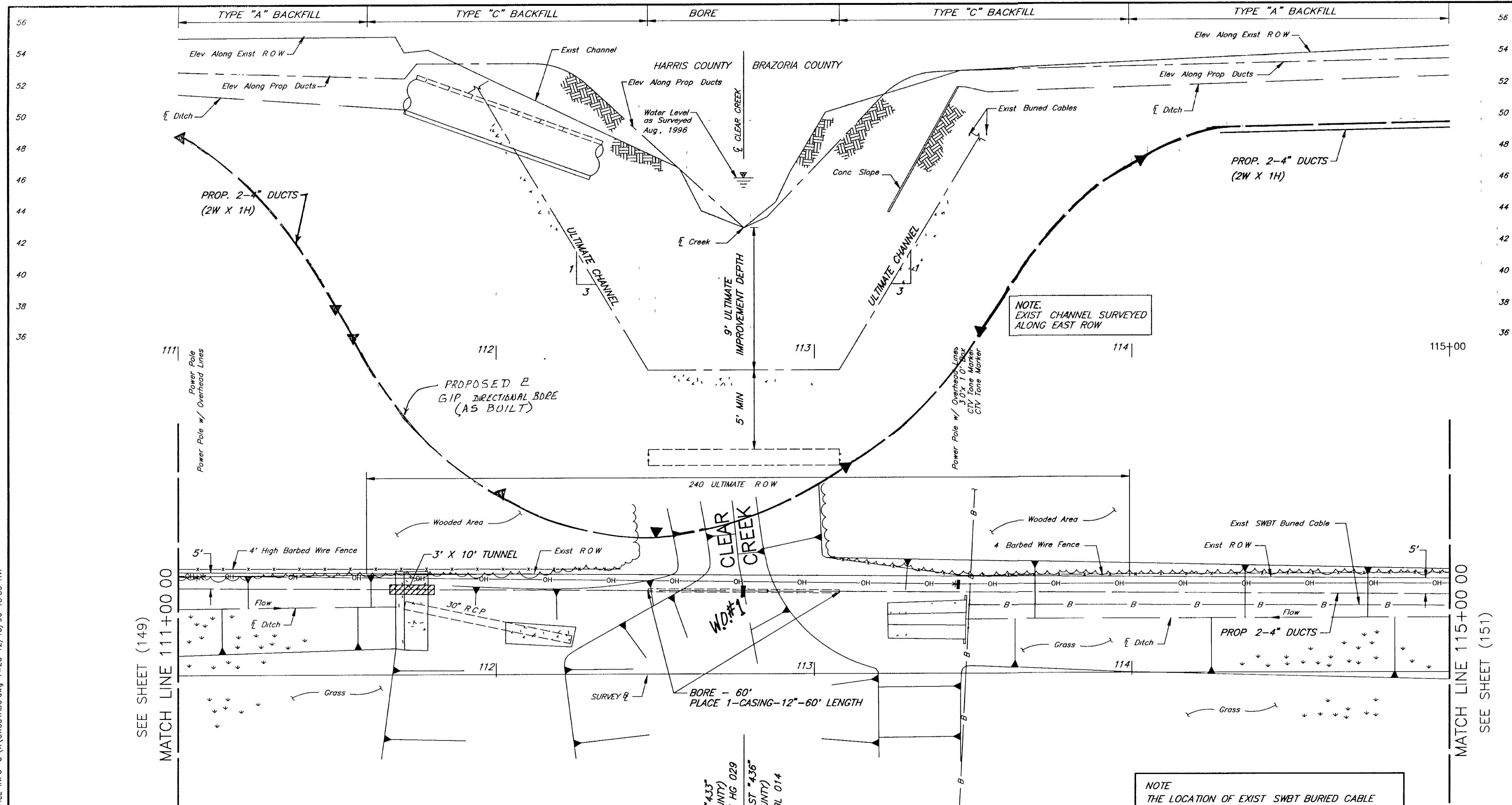
REVISED 3-4-97 (EAC #3)
 1) Remove prop access road at MH 10941 (SHT. 163).
 2) Add prop. handhole and associated access driveway (SHT. 165) W.P.F.

CP # 96-018B	
Southwestern Bell Telephone	
SH 288	
SHEET LAYOUT	
SCALE PLAN 1"= NTS	PROFILE HORIZ 1"= NTS
PROFILE VERT 1"= NTS	ISSUE DATE 12-23-96
PREPARED BY CONDUIT DISTRICT <i>W.P.F.</i>	AREA MANAGER ENG.
APPROVALS MANAGER ENG. (DESIGN) <i>M. Williams</i>	AREA MOR. ENG. DESIGN <i>John E. Johnson</i>
JOB NO. AREA NO WK-4433	EST NO C.O. 0607386 436/433
DRAWN BY TAX DIST BL-104 BL-014	SHEET A-4
BL-016	

(BE-N2-1)

F.B. NO. 313 C
FILE INFO C:\X\SWB81A30.dwg 1=20 12/18/96 13:55 R/P

TSC ENGINEERING COMPANY
Engineers - Surveyors



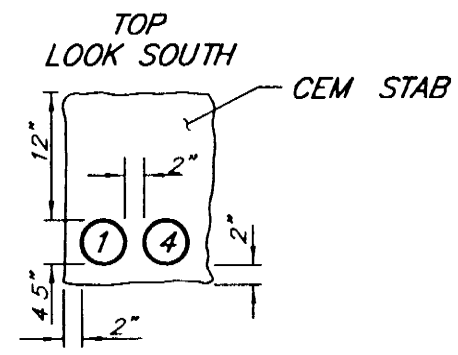
SEE SHEET (149)
MATCH LINE 111+00 00

MATCH LINE 115+00 00
SEE SHEET (151)

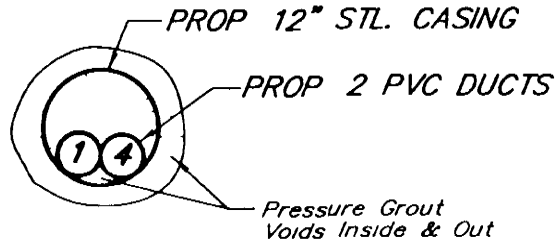
WO # 1 TO PROP MH # 10939 (SHT 152)
PL 2-4" 'C'- PVC = 810' (1620 DU FT) (4C)

BENCHMARK
TXDOT MON 307
TOP OF A BOX CHISELED IN THE TOP OF CURB LOCATED IN THE MEDIAN AT THE NORTHWEST CORNER OF THE INTERSECTION OF THE SOUTH BOUND FRONTAGE ROAD OF SH 288 AND THE WEST BOUND FRONTAGE ROAD OF B W B
PUBLISHED ELEV = 56.27 1978 ADJUSTMENT

T.B.M #7
TOP OF A RAILROAD SPIKE SET 1.5 FEET ABOVE NATURAL GROUND ON THE WEST SIDE OF POWER POLE #1460 WITH TRANSFORMER LOCATED ON THE EAST SIDE OF SH 288, BEING +/-500 FEET SOUTH OF CLEAR CREEK (HARRIS/BRAZORIA COUNTY LINE), AND BEING +/-1500 FEET NORTH OF THE INTERSECTION OF SH 288 AND MCHARD ROAD
ESTABLISHED ELEV = 56.82 1978 ADJUSTMENT
B.L. STATION = 111+11 OFFSET = 67.2' LEFT



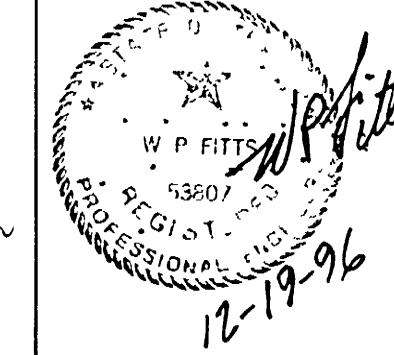
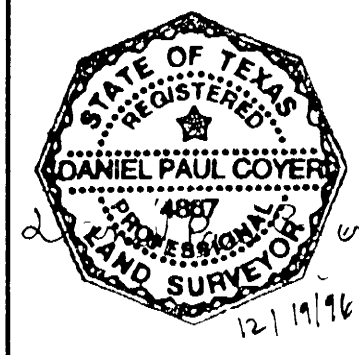
SECTION OF PROP 2 DUCTS
(SEE DETAIL SHEET FOR GENERAL BACKFILL AND ENCASEMENT SPECIFICATIONS)



SECTION OF PROP 2 DUCTS
FACING SOUTH

NOTE
THE LOCATION OF EXIST SWBT BURIED CABLE IS APPROXIMATE CONTRACTOR SHOULD VERIFY THE EXACT LOCATION PRIOR TO ANY DIGGING AND/OR BORING

STA 112+78
IDLEWOOD "433"
(HARRIS COUNTY)
TAX DISTRICT HG 029
BLUE RIDGE EAST "436"
(BRAZORIA COUNTY)
TAX DISTRICT BL 014



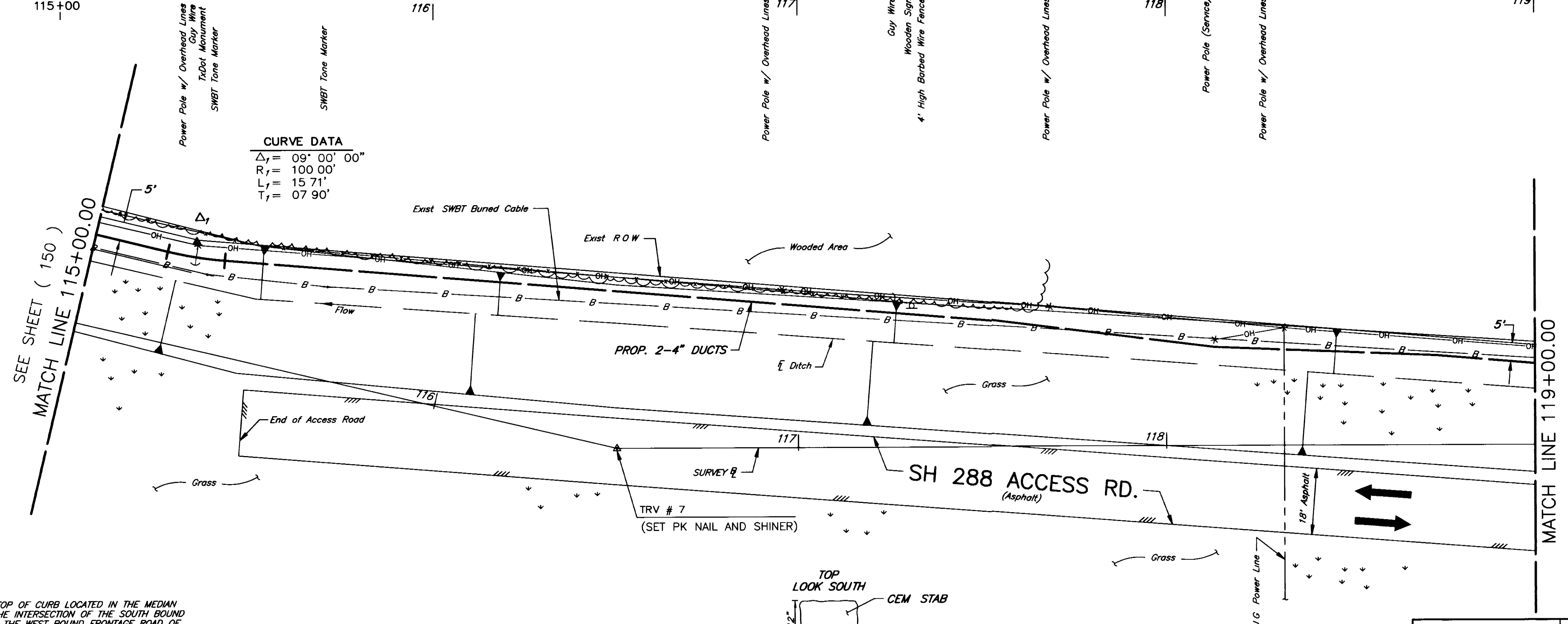
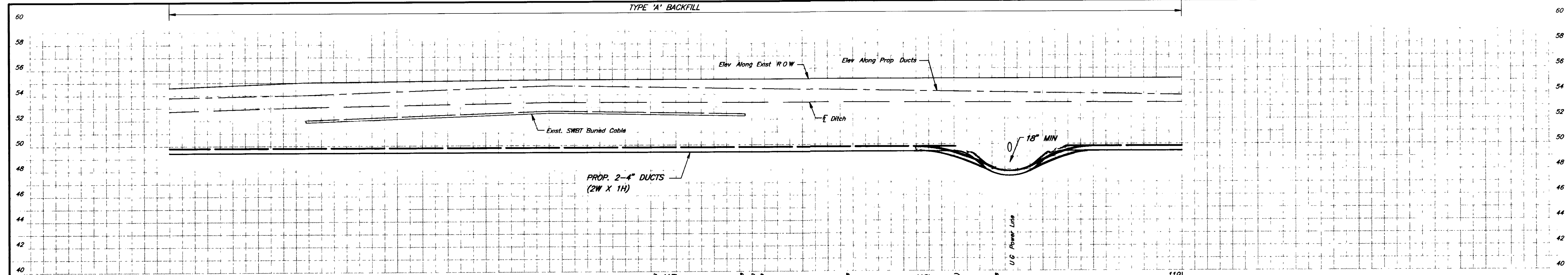
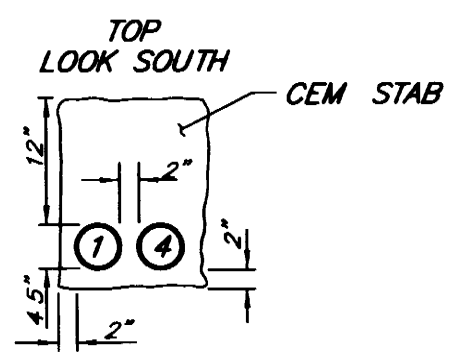
CP # 96-018B	
Southwestern Bell Telephone	
SH 288	
BRAZORIA AND HARRIS COUNTY, TEXAS	
SCALE PLAN 1"=20	PROFILE HORZ 1"=20
PROFILE VERT 1"=4	ISSUE DATE 12-23-96
PREPARED BY CONDUIT DISTRICT W.P. Fitts MGR-ENG. (DESIGN)	ISSUE DATE 12-23-96
APPROVED BY MANAGER ENG. (DESIGN) John Edmonson AREA MGR. ENG. DESIGN	ISSUE DATE 12-23-96
JOB NO. NR4433	EST NO. 0607386
AREA NO. WK-4436	DRAWN BY TAX DIST. HG-029 BL-014
SHEET 150	

TSC ENGINEERING COMPANY
 FB NO 313 C
 FILE INFO C:\SBI\SW581A31.dwg I=20 12/16/96 11 32 RVP
 Engineers Surveyors

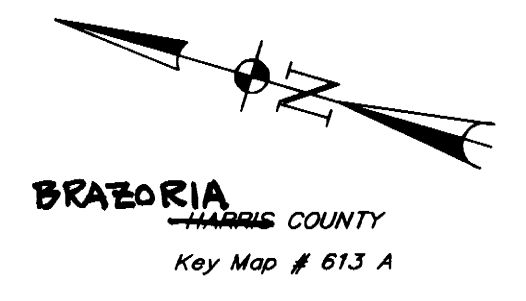
TXDOT MON 307
 TOP OF A BOX CHISELED IN THE TOP OF CURB LOCATED IN THE MEDIAN AT THE NORTHWEST CORNER OF THE INTERSECTION OF THE SOUTH BOUND FRONTAGE ROAD OF SH 288 AND THE WEST BOUND FRONTAGE ROAD OF B W B
 PUBLISHED ELEV = 56.27 1978 ADJUSTMENT

T B M #7
 TOP OF A RAILROAD SPIKE SET 1.5 FEET ABOVE NATURAL GROUND ON THE WEST SIDE OF POWER POLE #1460 WITH TRANSFORMER LOCATED ON THE EAST SIDE OF SH 288, BEING +/- 500 FEET SOUTH OF CLEAR CREEK (HARRIS/BRAZORIA COUNTY LINE), AND BEING +/- 1500 FEET NORTH OF THE INTERSECTION OF SH 288 AND MCHARD ROAD
 ESTABLISHED ELEV = 56.82 1978 ADJUSTMENT
 B L STATION = 111+11 OFFSET = 67.2' LEFT

SECTION OF PROP 2 DUCTS
 (SEE DETAIL SHEET FOR GENERAL BACKFILL AND ENGASEMENT SPECIFICATIONS)



CURVE DATA
 $\Delta_I = 09^\circ 00' 00''$
 $R_I = 100.00'$
 $L_I = 15.71'$
 $T_I = 07.90'$



NOTE:
 THE LOCATION OF EXIST. SWBT BURIED CABLE IS APPROXIMATE CONTRACTOR SHOULD VERIFY THE EXACT LOCATION PRIOR TO ANY DIGGING AND/OR BORING.

CP # 96-018B			
Southwestern Bell Telephone			
SH 288			
BRAZORIA COUNTY, TEXAS			
SCALE PLAN 1"=20	PROFILE HORIZ 1"=20	PROFILE VERT 1"=4	ISSUE DATE
PREPARED BY W.P. FITTS CONDUIT DISTRICT MGR-ENG. (DESIGN)	AREA MANAGER ENG.		12-23-96
APPROVED BY M. Williams MANAGER ENG. (DESIGN)	John E. Evans AREA MGR ENG. DESIGN	DIST MGR ENG.	
JOB NO:	EST NO 0607386	DRAWN BY	SHEET 151
AREA NO WK-4436	C.O. BLUE RIDGE EAST "436"	TAX DIST	BL-014

