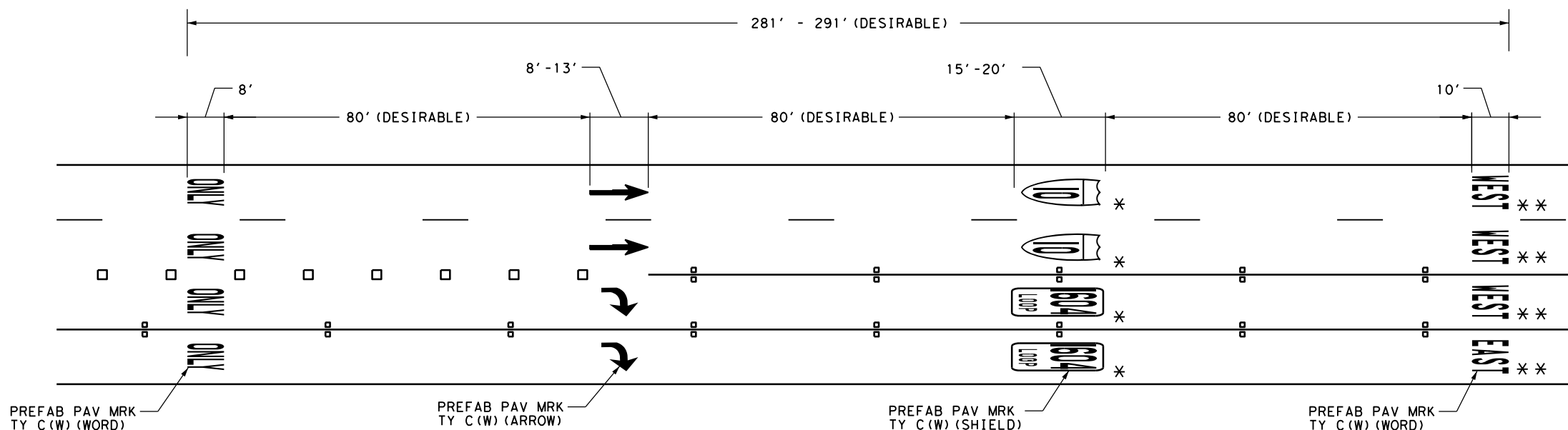
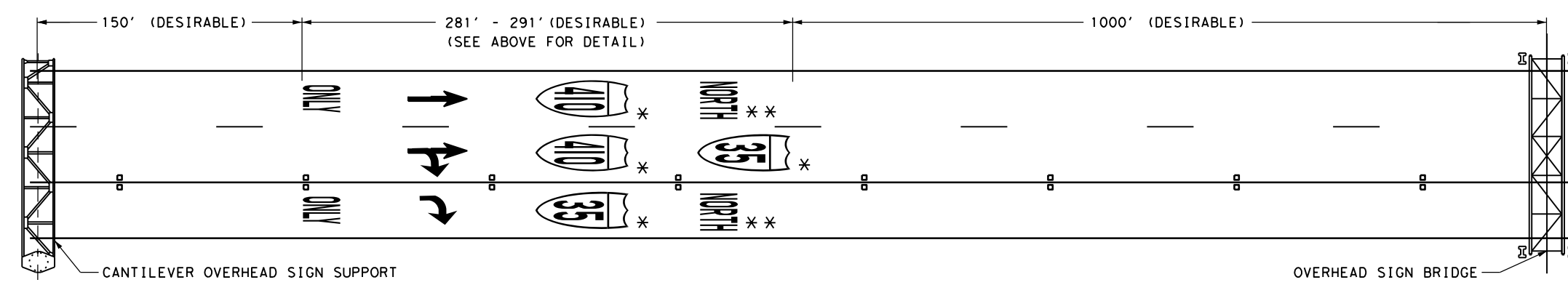


HORIZONTAL SIGNING TYPICAL SPACING FOR SHARED LANES



HORIZONTAL SIGNING TYPICAL SPACING FOR EXCLUSIVE LANES



HORIZONTAL SIGNING PLACEMENT IN OVERHEAD SIGNING SYSTEM

- * APPROPRIATE DESTINATION
- ** CARDINAL DIRECTION

- NOTES:**
1. SHARED ROUTES HAVE TWO SHIELDS WITH AN 80 FT GAP.
 2. PAVEMENT MARKING SPACING SHOWN ON THIS SHEET IS FOR A TYPICAL APPLICATION. SITE CONDITIONS MAY VARY PAVEMENT MARKING SPACING. SEE PLAN SHEETS FOR ACTUAL LOCATIONS.

LEVELS DISPLAYED

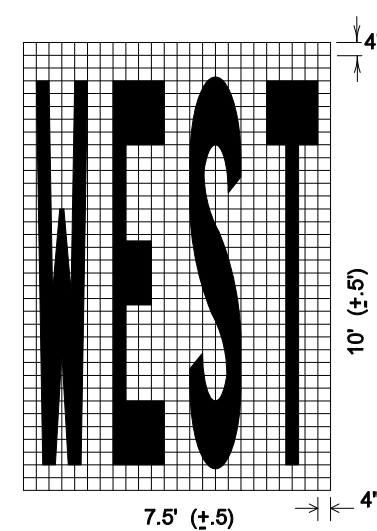
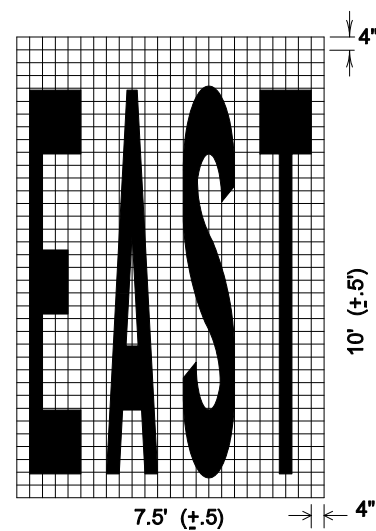
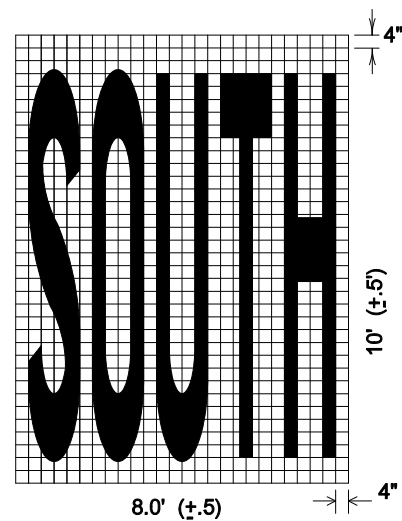
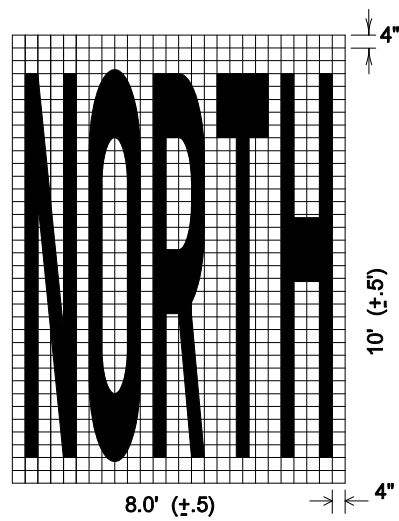
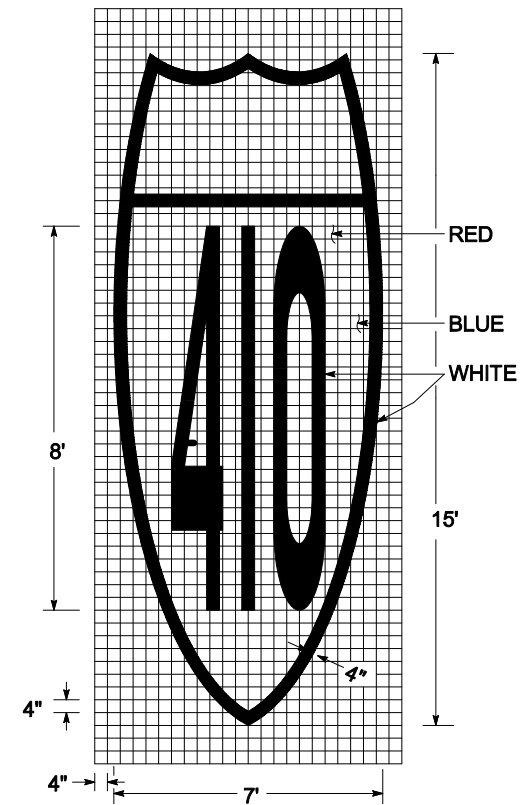
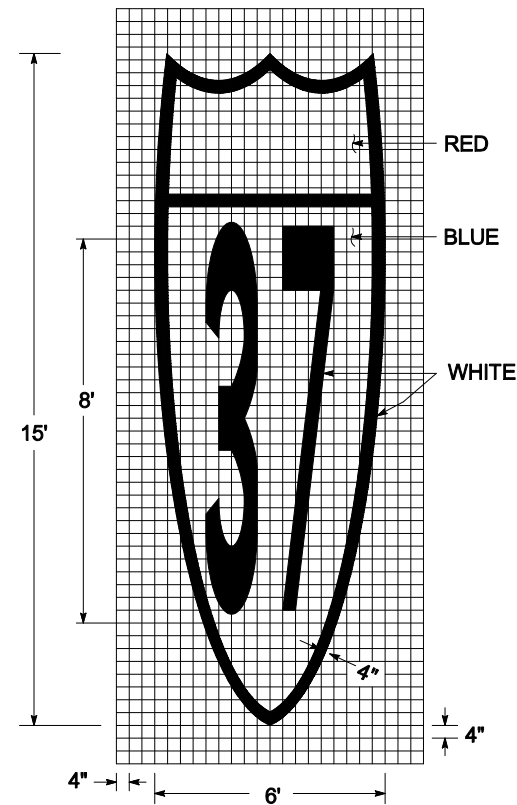
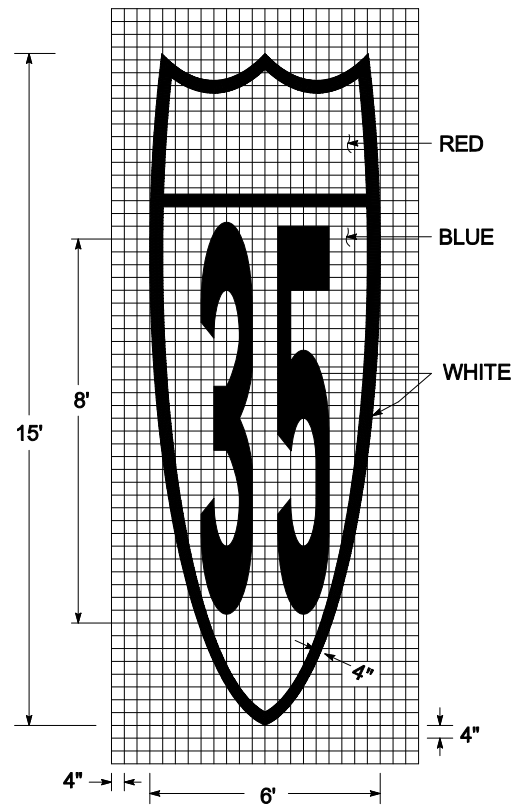
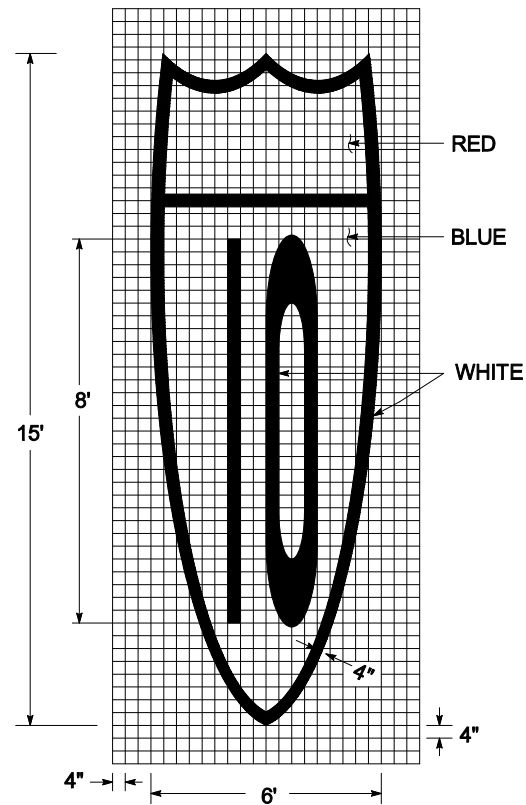
1	2	3	4	5	6	7	8	9	10	11	12	13	14	15	16	17	18	19	20	21	22	23	24	25	26	27	28	29	30	31	32	33	34	35	36	37	38	39	40	41	42	43	44	45	46	47	48	49	50
---	---	---	---	---	---	---	---	---	----	----	----	----	----	----	----	----	----	----	----	----	----	----	----	----	----	----	----	----	----	----	----	----	----	----	----	----	----	----	----	----	----	----	----	----	----	----	----	----	----

ACC:

San Antonio District Standard
HORIZONTAL SIGNING & PAVEMENT MARKING LAYOUT DETAILS

HSPM-08
© 2008 Texas Department of Transportation

REVISIONS	FED. RD. DIV. NO.	FEDERAL AID PROJECT NO.	SHEET NO.
REV. 12-2011	6		
	STATE	DIST.	COUNTY
	TEXAS	SAT	
	CONT.	SECT.	JOB HIGHWAY NO.



SCALE: 1" = 5'

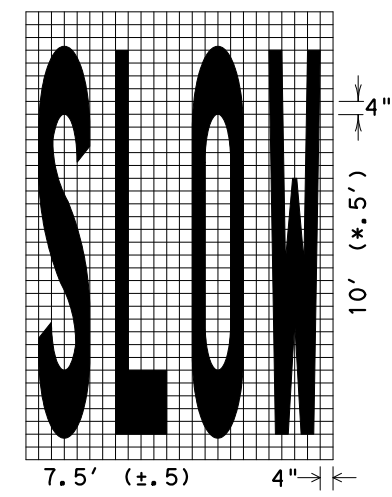
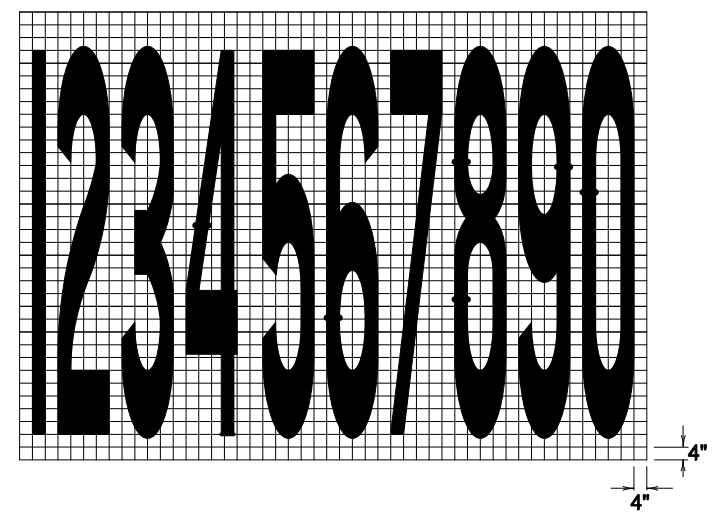
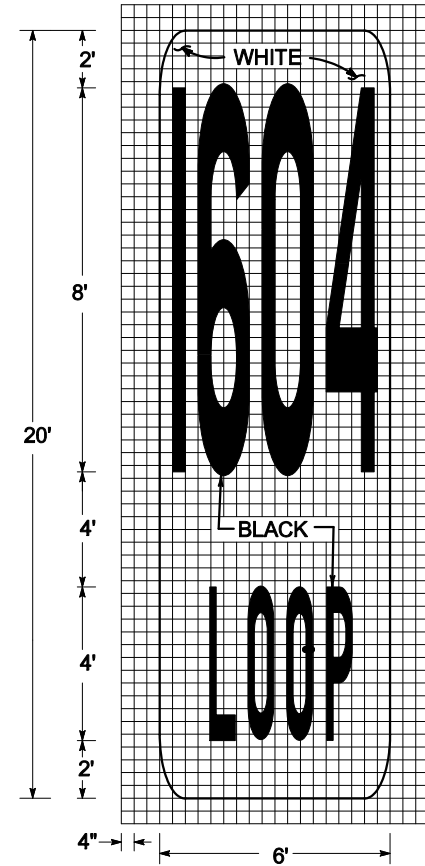
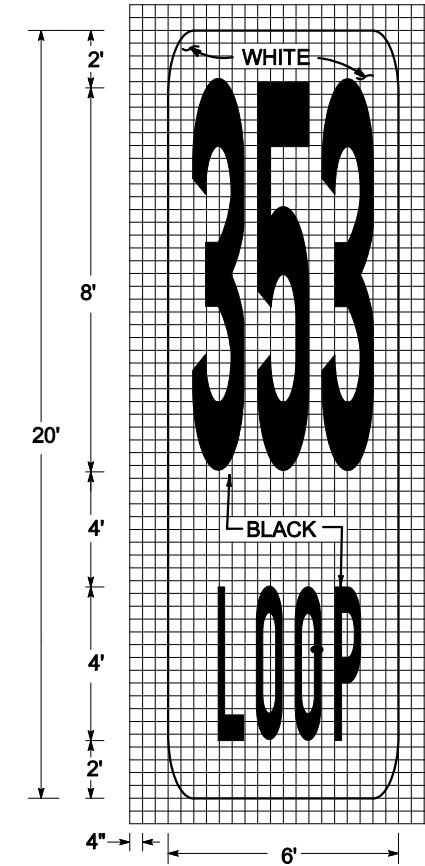
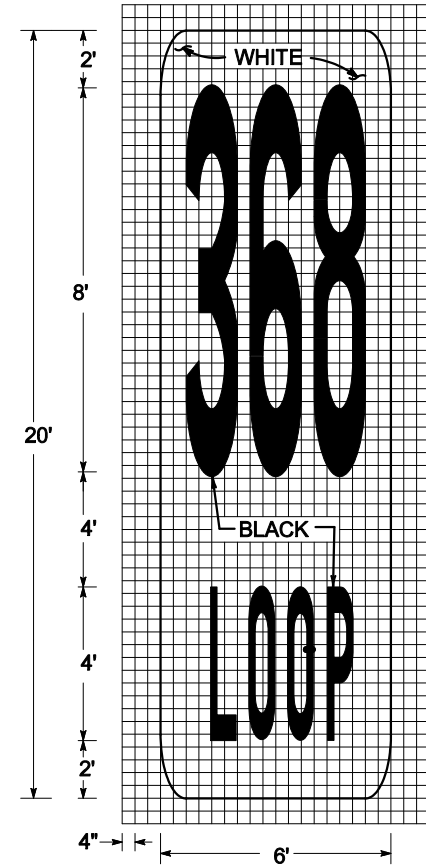
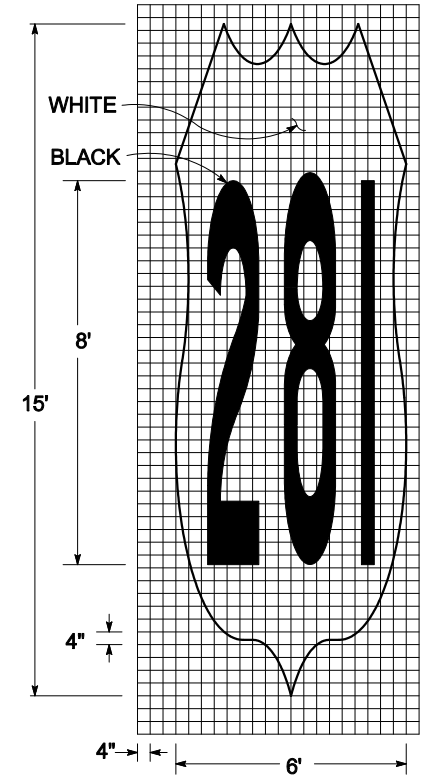
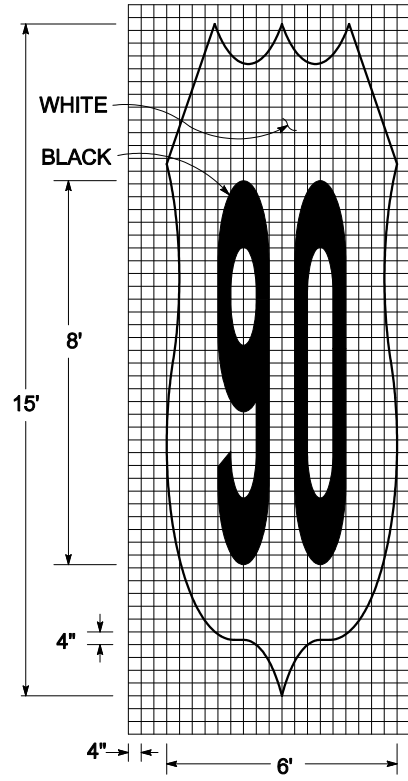
LEVELS DISPLAYED
 1 2 3 4 5 6 7 8 9 10 11 12 13 14 15 16
 ACC:
 17 18 19 20 21 22 23 24 25 26 27 28 29 30 31 32
 33 34 35 36 37 38 39 40 41 42 43 44 45 46 47 48
 49 50 51 52 53 54 55 56 57 58 59 60 61 62 63

San Antonio District Standard
 ROUTE NUMBER
 PAVEMENT MARKING
 SHIELD DETAILS

PMSD (1) - 08
 © 2008 Texas Department of Transportation

REVISIONS REV. 12-2011	FED. RD. DIV. NO. 6	FEDERAL AID PROJECT NO.	SHEET NO.
STATE TEXAS	DIST. SAT	COUNTY	
CONT.	SECT.	JOB	HIGHWAY NO.

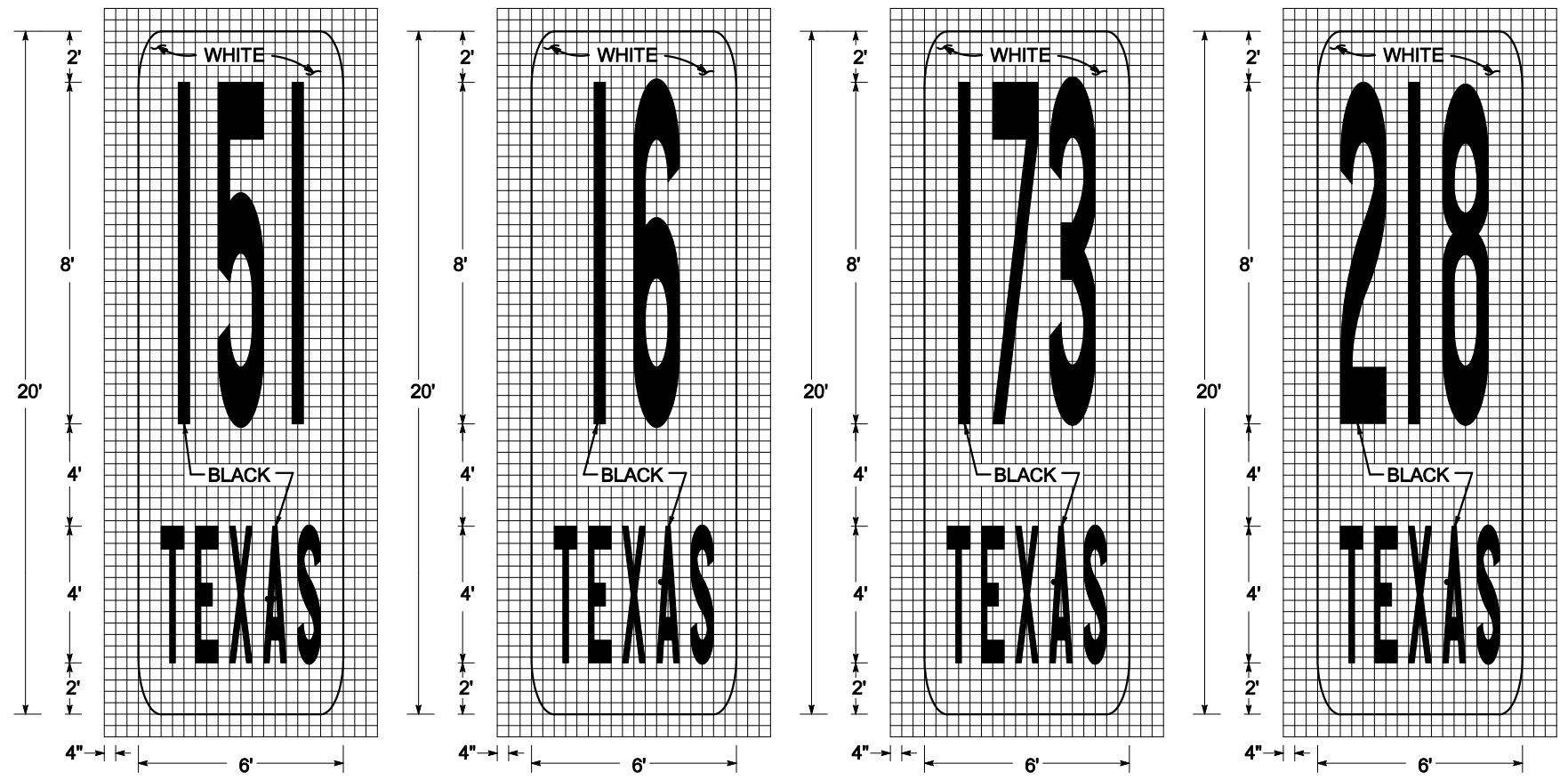
LEVELS DISPLAYED
 1 2 3 4 5 6 7 8 9 10 11 12 13 14 15 16
 ACC: 17 18 19 20 21 22 23 24 25 26 27 28 29 30 31 32
 33 34 35 36 37 38 39 40 41 42 43 44 45 46 47 48
 49 50 51 52 53 54 55 56 57 58 59 60 61 62 63



San Antonio District Standard
 ROUTE NUMBER
 PAVEMENT MARKING
 SHIELD DETAILS
 PMSD (2) -08
 © 2008 Texas Department of Transportation

REVISIONS REV. # 12-2011	FED. RD. DIV. NO. 6	FEDERAL AID PROJECT NO.	SHEET NO.
STATE TEXAS		DIST. SAT	COUNTY
CONT.		SECT.	JOB
		HIGHWAY NO.	

LEVELS DISPLAYED
 1 2 3 4 5 6 7 8 9 10 11 12 13 14 15 16
 ACC: 17 18 19 20 21 22 23 24 25 26 27 28 29 30 31 32
 33 34 35 36 37 38 39 40 41 42 43 44 45 46 47 48
 49 50 51 52 53 54 55 56 57 58 59 60 61 62 63



San Antonio District Standard
 ROUTE NUMBER
 PAVEMENT MARKING
 SHIELD DETAILS

© 2008  PMSD (3) -08
 Texas Department of Transportation

REVISIONS	FED. RD. DIV. NO.	FEDERAL AID PROJECT NO.	SHEET NO.
REV. 112-2011	6		
	STATE	DIST.	COUNTY
	TEXAS	SAT	
	CONT.	SECT.	JOB
			HIGHWAY NO.