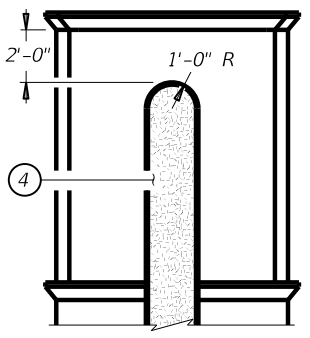


- ① Height "Z" is the total height of the column from the top of the drilled shaft. See quantities note on sheet 4 of 5.
- ② See Roadway plans for the height of the truss above the finished grade.
- ③ Electrical system conduit: Use 6" minimum radius sweeps for bends. No 90 degree elbows are permitted. Install pull tape in empty conduit. Pull tape must have 1250 lbs. minimum tensile strength, and foot length markings. Conduit must extend 6" beyond the concrete as shown, and must be threaded and capped. This conduit may be cut to exact dimension shown on the TMS or other electrical system detail sheet when installed.
- ④ Form liner finish - Scott System #177 "Random Stone" (303-373-2500) or approved equivalent. Base color Sherman Williams SW 6142 "Macadamia" or approved equivalent. Base color is applied to all surfaces unless otherwise noted.
- ⑤ Type DS fill must conform to Item 423, "Retaining Walls", Table 2.

Contractor is responsible for verifying all dimensions and quantities in the field before beginning work.

Cover dimensions are clear dimensions, unless noted otherwise. Reinforcing bar dimensions shown are out-to-out of bar.



**MISSION THEME
OVERHEAD SIGN COLUMN**
OVERHEAD SIGN BRIDGE
SPANS UP TO 155 FEET

DN: BCL	CK:	FILENAME: Mission Theme OSB.dgn		
DW: SRF	CK:	ORIGINAL DRAWING DATE: January 2020		
DIST	FED. RD. DIV. NO.	FEDERAL AID PROJECT NO.	COUNTY	
SAT	6		COUNTY	
CONTROL	SECTION	JOB	SHEET NO.	ROUTE
0000	00	000	000	ROUTE

REVISIONS: