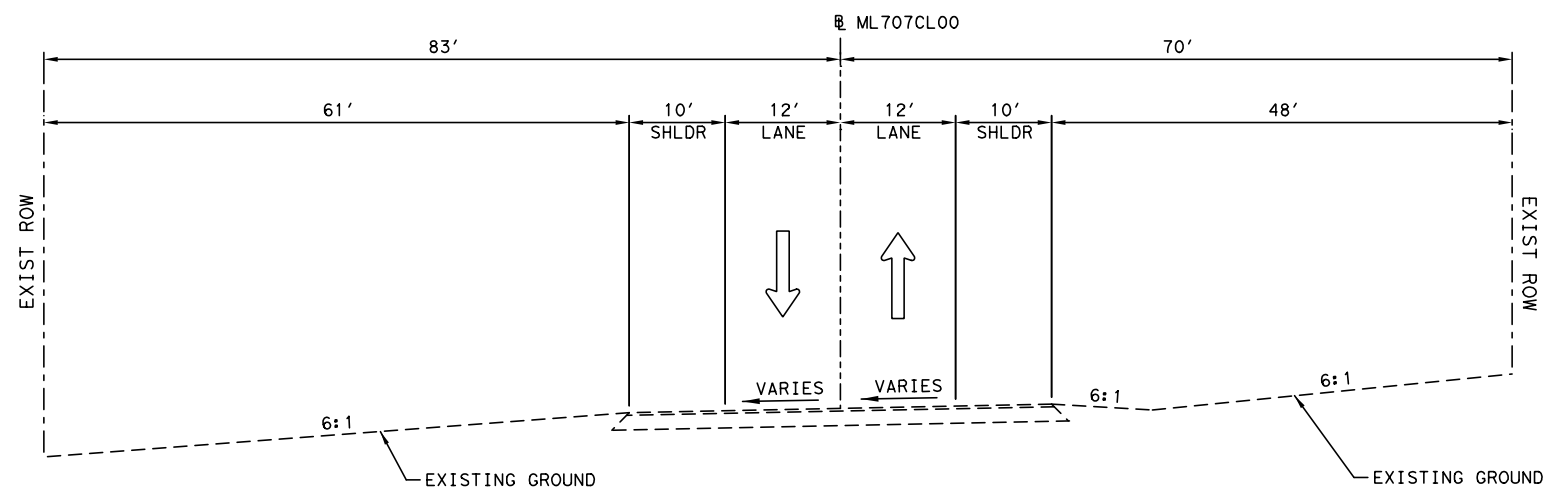
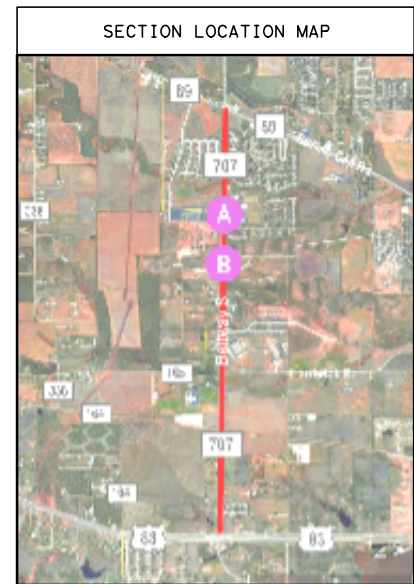


EXISTING TYPICAL SECTION - FM 707
SECTION A



EXISTING TYPICAL SECTION - FM 707
SECTION B



NOT TO SCALE

WSP WSP USA Inc
1601 S MoPac Expy, Suite 325
Austin, TX 78746
TEL: 737.703.3900
TBPE F-2263

© 2022
Texas Department of Transportation

**FM 707
EXISTING
TYPICAL SECTION
PUBLIC MEETING**

© 2022				
CONT	SECT	JOB	HIGHWAY	
0663	01	024	FM 707	
DIST	COUNTY		SHEET NO.	
ABL	TAYLOR		01	