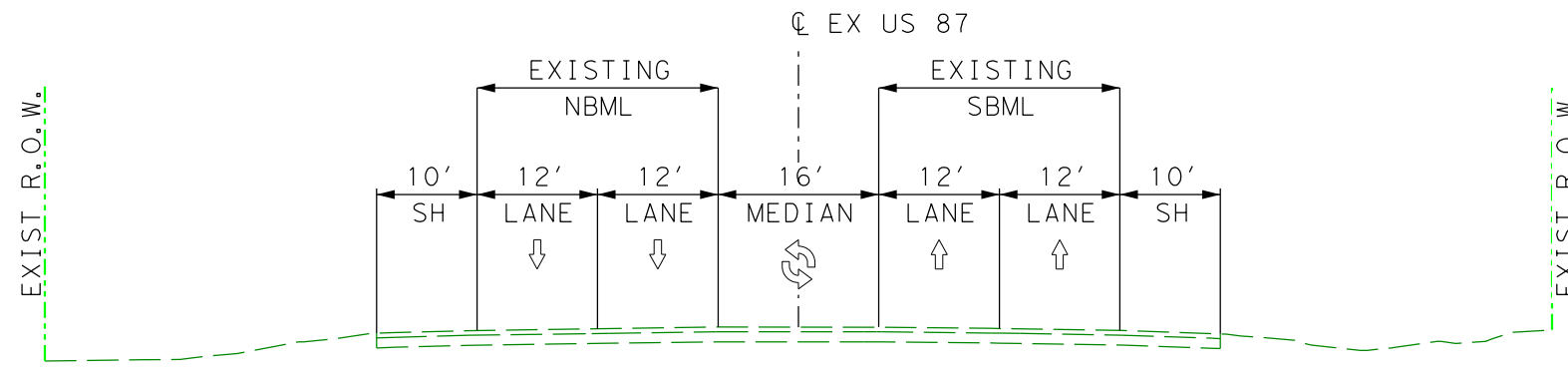


**US 87  
PROPOSED  
TYPICAL SECTIONS**

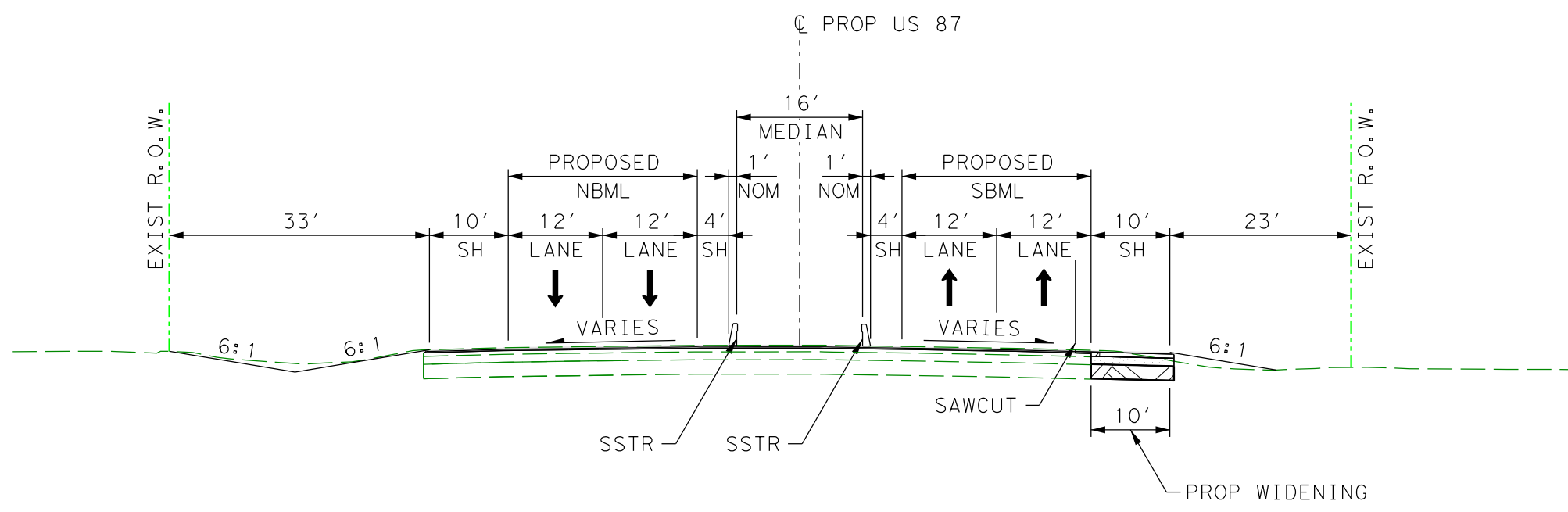


TBPE Firm Registration No. F - 812  
11701 Stonehollow Dr, Ste 100 • Austin, TX • 78758  
Phone: 512-821-2081 • Fax: 512-821-2085



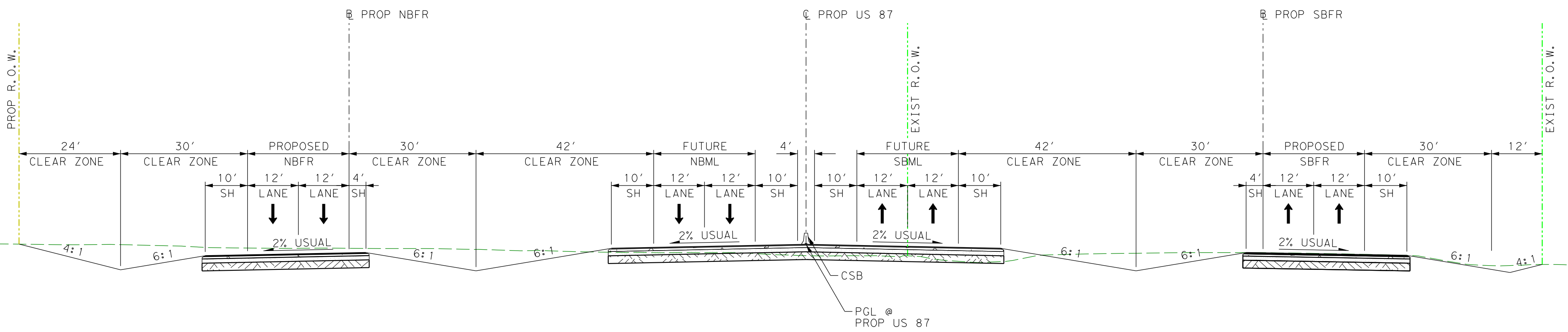
**NO BUILD**

NOT-TO-SCALE



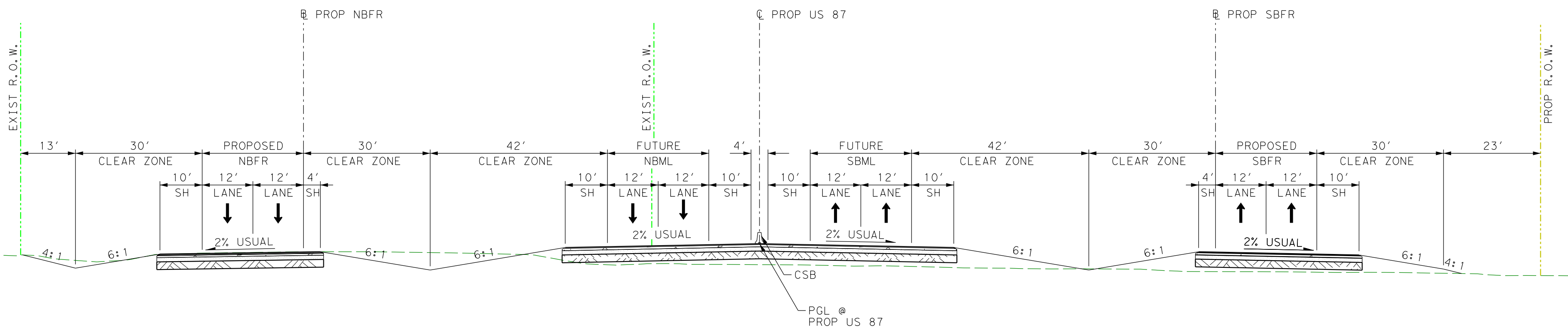
**PROPOSED CTB OPTION TYPICAL SECTION**

NOT-TO-SCALE



**PROPOSED WIDEN EAST TYPICAL SECTION**

NOT-TO-SCALE



**PROPOSED WIDEN WEST TYPICAL SECTION**

NOT-TO-SCALE

3/10/2023 1:40:39 PM  
...\\US87-5-030-RD-WY-TYP-SCHEMATIC-SHEET.dgn Detail