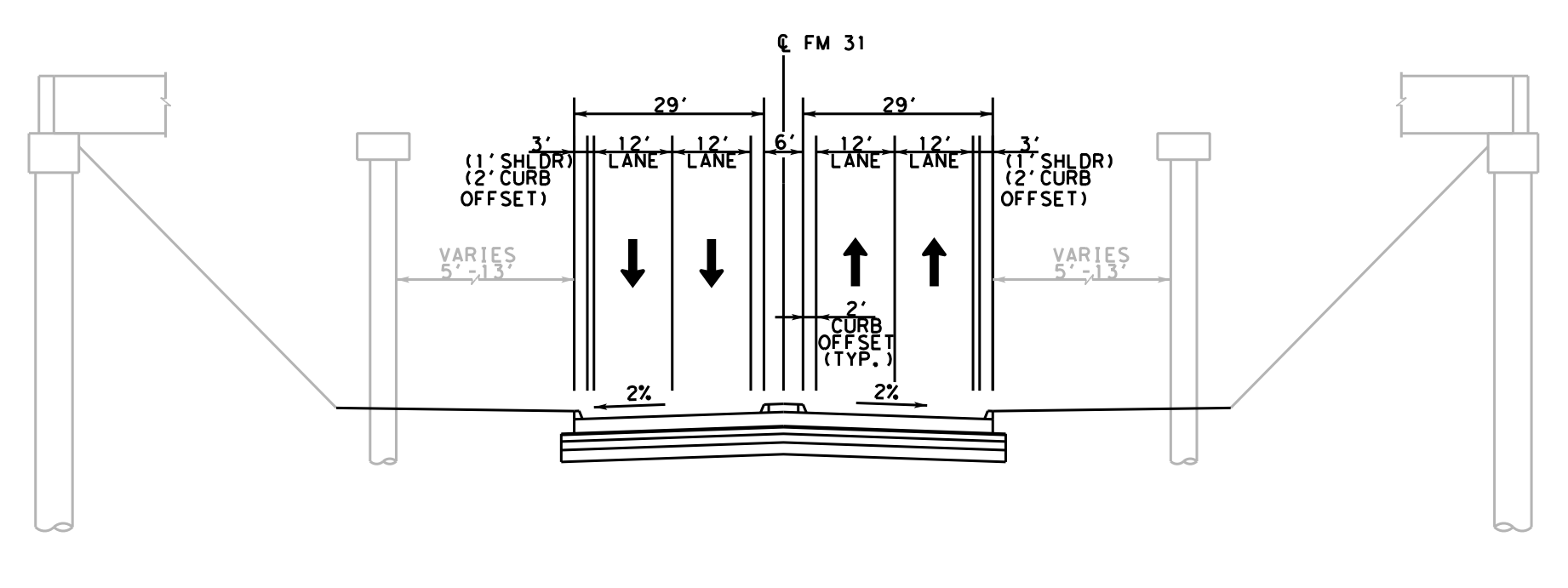
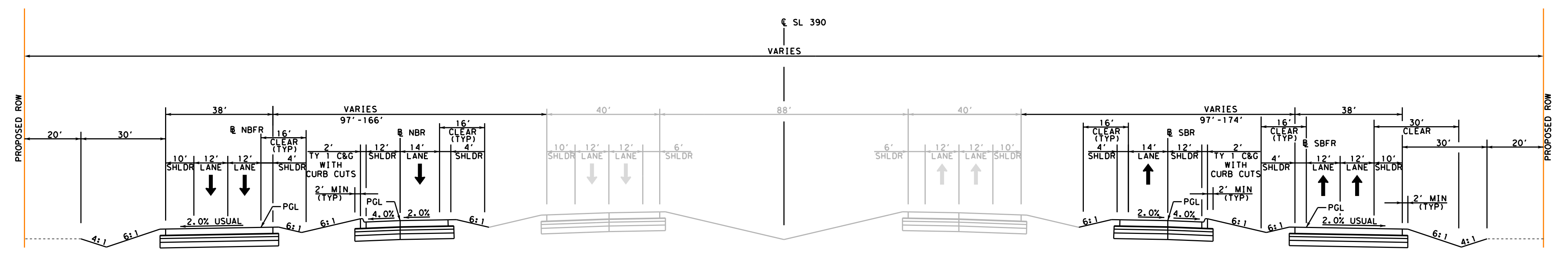


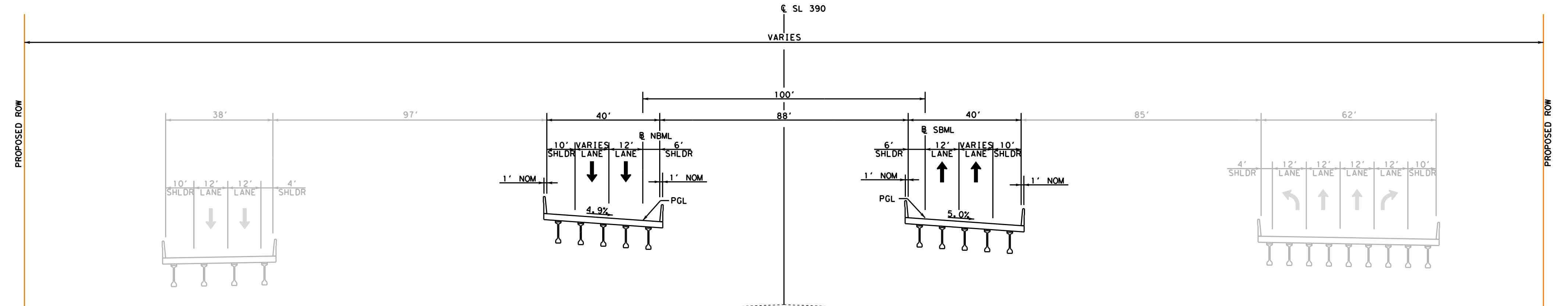
PROPOSED US 80 TYPICAL SECTION UNDERPASS



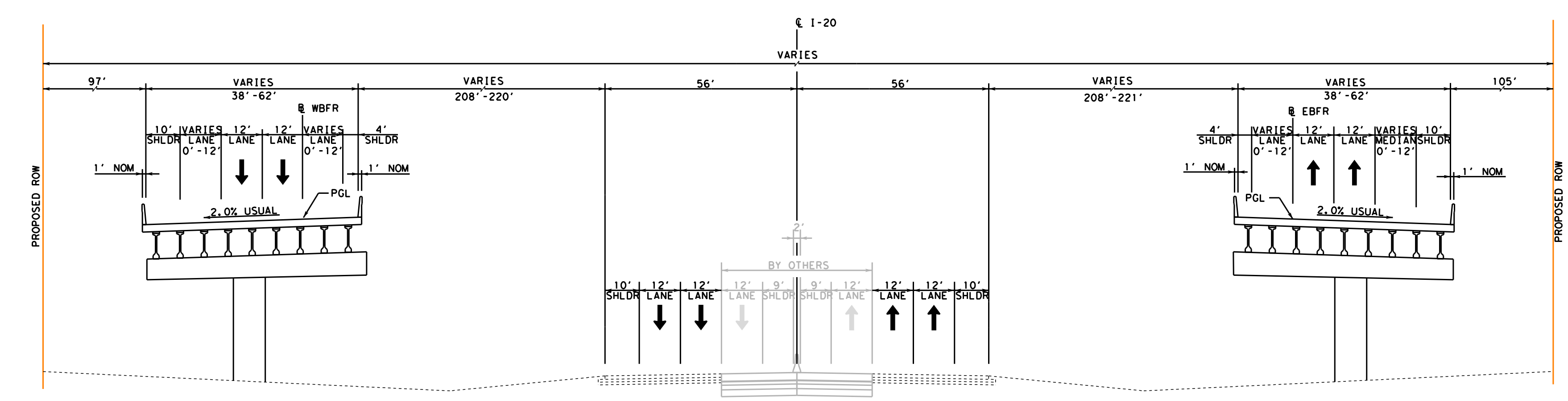
PROPOSED FM 31 TYPICAL SECTION UNDERPASS



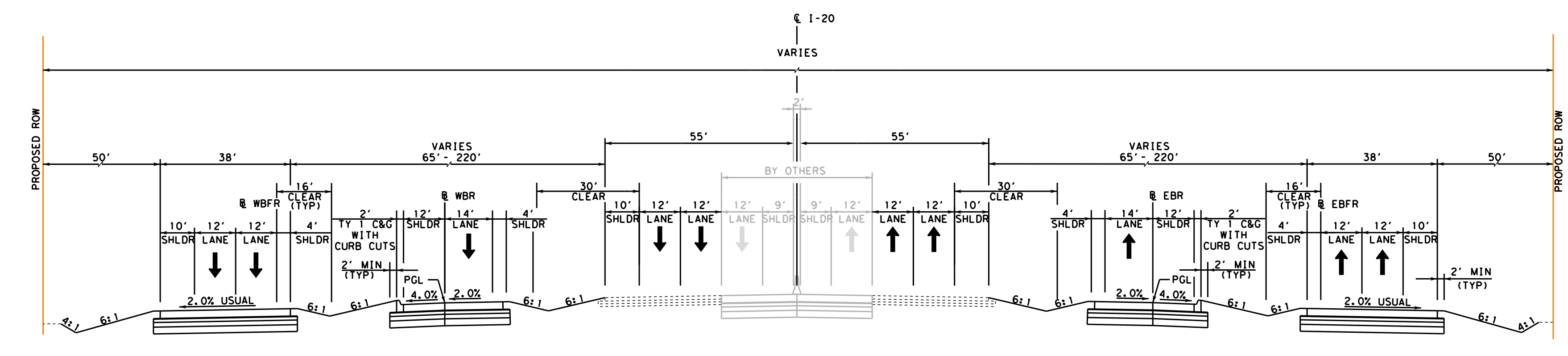
PROPOSED SL 390 FRONTAGE ROAD AND RAMPS TYPICAL SECTION FROM THE BEGINNING OF THE PROJECT TO NORTH OF BUCK SHERROD FROM NORTH OF FM 31 TO I-20



PROPOSED SL 390 MAINLINE BRIDGE TYPICAL SECTION FROM NORTH OF BUCK SHERROD TO NORTH OF FM 31



PROPOSED IH-20 FRONTAGE ROAD BRIDGE TYPICAL SECTION



PROPOSED IH-20 FRONTAGE ROAD AND RAMPS TYPICAL SECTION