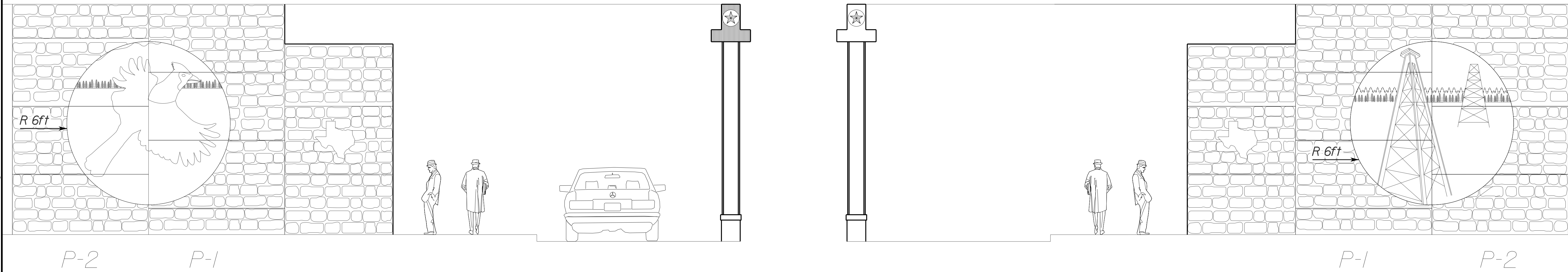


CARDINAL AND DERRICK WALL CENTERPIECE (12' DIAMETER)



DATE: 16-NOV-2022 19:43
FILE: Projects\1074500 - BMT 10 69 Interchanges\4A - Design Cardinal\Plan Set\7. Bridge Aesthetics\Proposed Cardinal Wall Sheet Selected.dgn

VOLKERT

F-12679



IH 10 AT US 69
AESTHETIC TREATMENT
WALL ELEVATIONS

SHEET 1 OF 4

CONT	SECT	JOB	HIGHWAY
			IH 10
DIST	COUNTY	SHEET NO.	
		788	