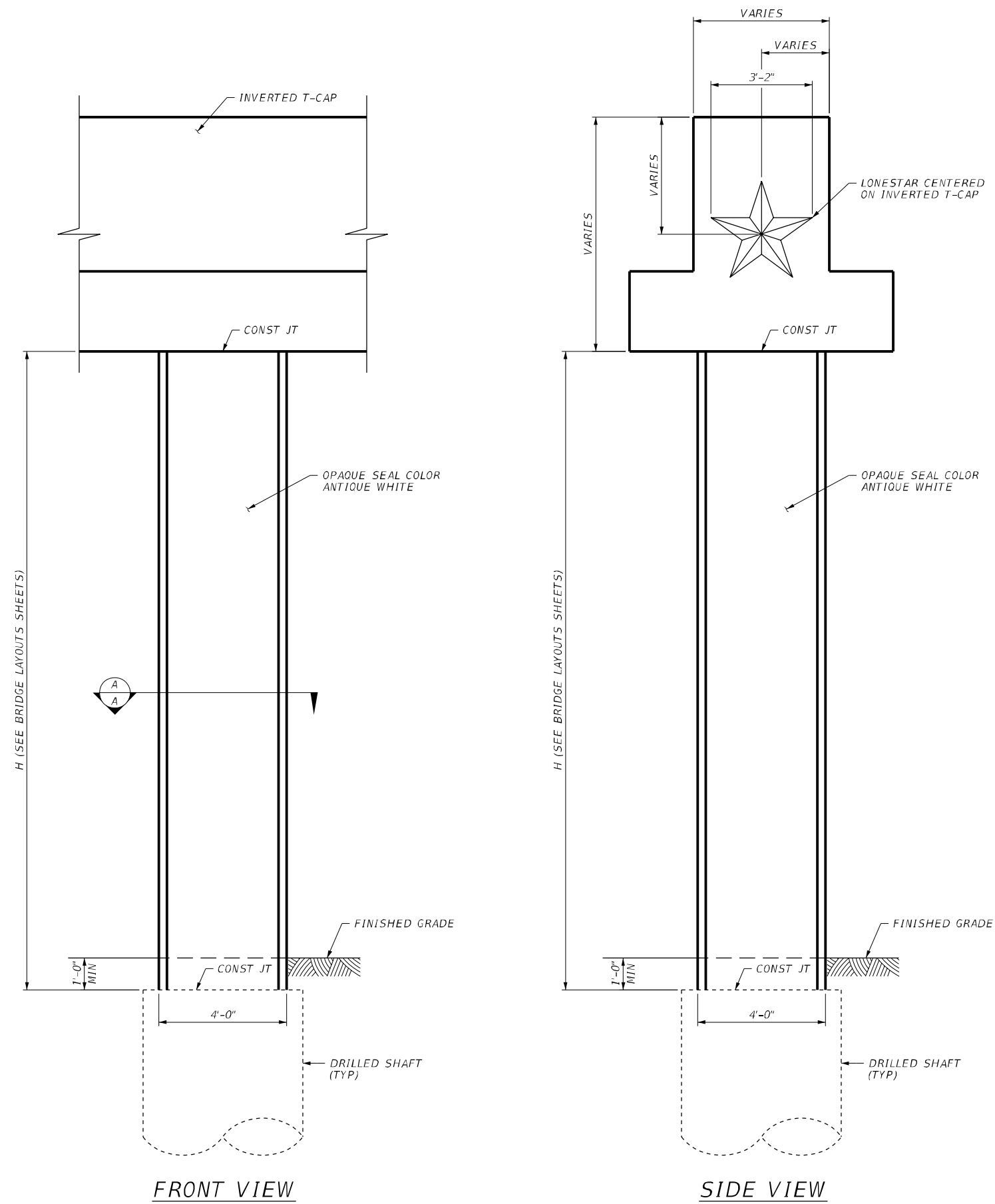


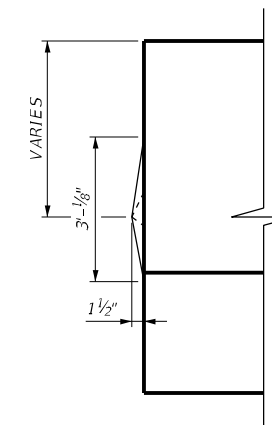
DATE: 21-FEB-2024 00:03
 FILE: Projects\1074500 - BMT 10 69 Interchanges\4C - Design Eastex\4 - Design\Plan Set\7. Bridge\COMMON SHEETS\1977_EASTEX_4X4_AESTHETICS



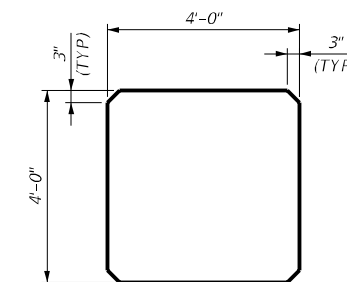
COLUMN AESTHETICS

OPAQUE SEALER DESCRIPTION

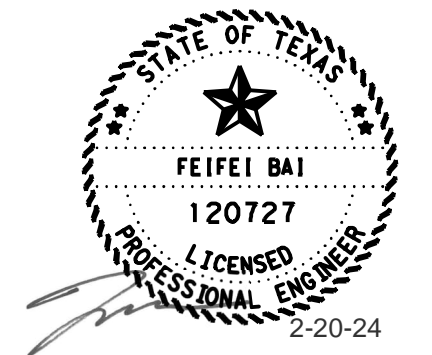
WATER REPELLENT VERTICAL CONCRETE SEAL PER TXDOT STANDARD SPECIFICATIONS IN ACCORDANCE WITH ITEM 427-SURFACE FINISHES FOR CONCRETE FOR OPAQUE SEALERS, EX SHERWIN WILLIAMS A31 SERIES (OR APPROVED EQUAL).



RAISED STAR DETAIL



SECTION A-A



HL93 LOADING

VOLKERT

F-12679



**IH 10 AT US 69
 4' X 4' COLUMN
 AESTHETIC DETAILS**

SHEET 1 OF 1

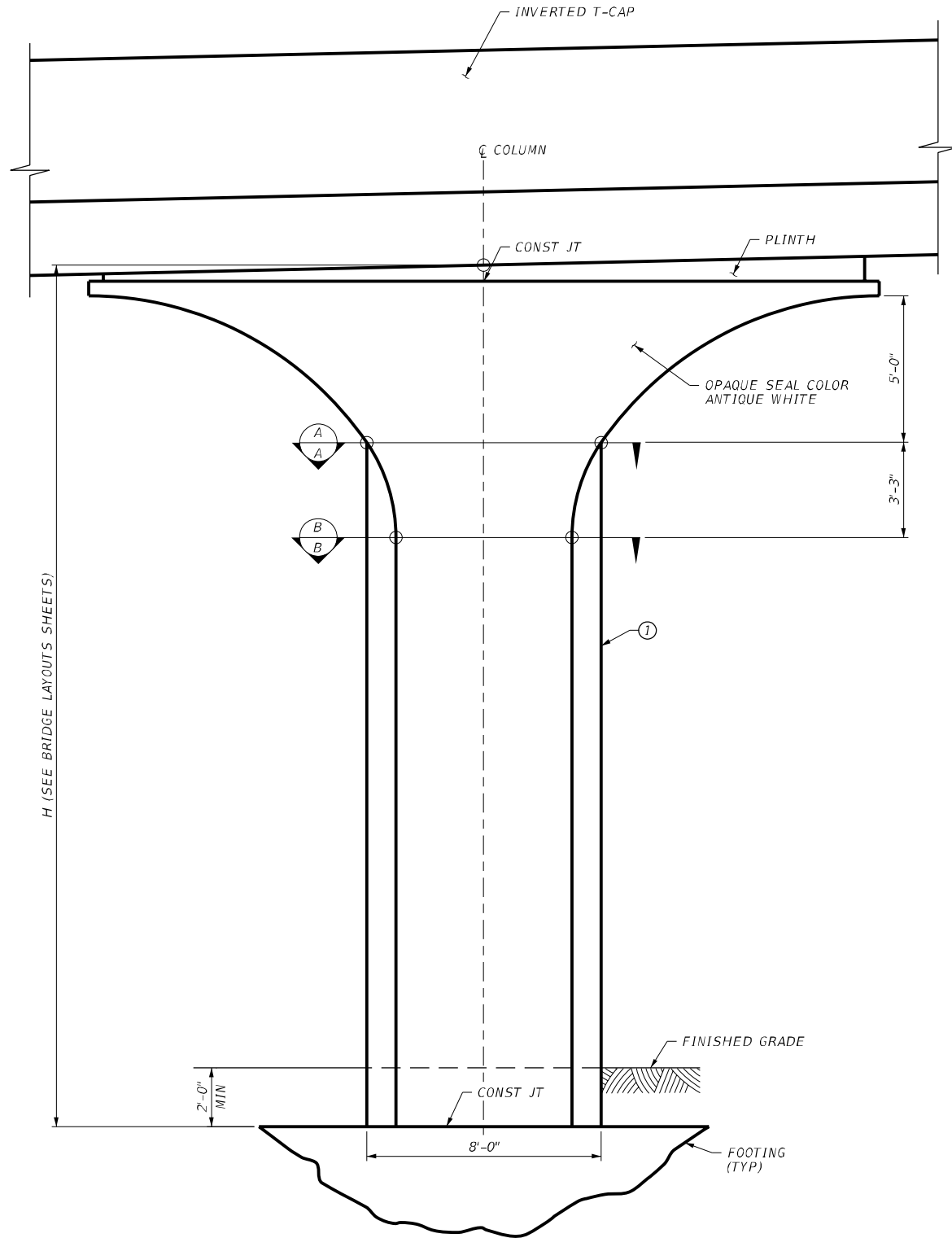
DN: FB	CK: SUN	DW: KAH	CK: FB
CONT	SECT	JOB	HIGHWAY
0028	13	135	IH 10
DIST	COUNTY	SHEET NO.	
BMT	JEFFERSON	1977	

DATE: 21-FEB-2024 00:05
 FILE: Projects\1074500 - BMT 10 69 Interchanges\4C - Design Eastex\4 - Design\Plan Set\7. Bridge\COMMON SHEETS\1982 EASTEX_4X8_FLARED_AESTHETICS

OPAQUE SEALER DESCRIPTION

WATER REPELLENT VERTICAL CONCRETE SEAL PER TxDOT STANDARD SPECIFICATIONS IN ACCORDANCE WITH ITEM 427-SURFACE FINISHES FOR CONCRETE FOR OPAQUE SEALERS, EX SHERWIN WILLIAMS A31 SERIES (OR APPROVED EQUAL).

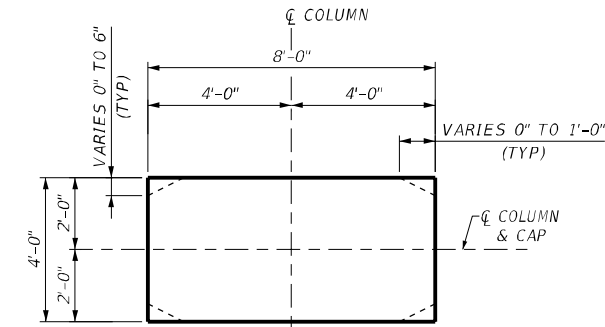
① 4x8 FLARED COLUMN SHOWN IN THE PLAN, OTHER COLUMN SIZES 4x6 AND 5x10 SHARE SIMILAR AESTHETICS, REFERENCE COLUMN DETAIL SHEETS FOR MORE DIMENSIONS.



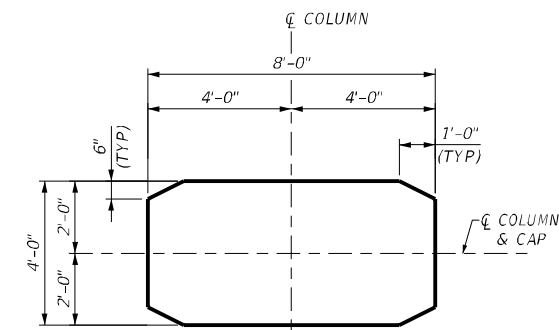
FLARED COLUMN AESTHETICS



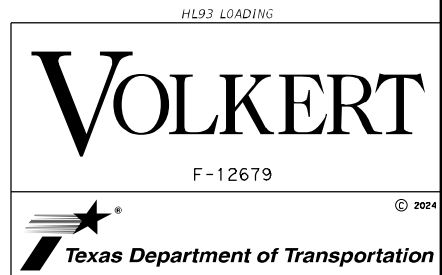
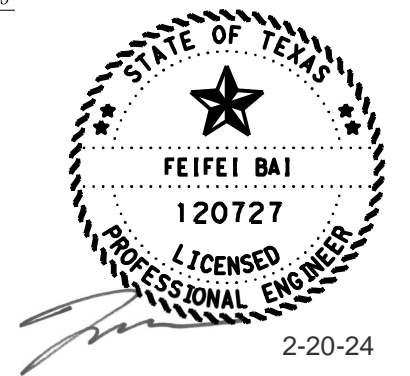
RAISED STAR DETAIL



SECTION A-A



SECTION B-B

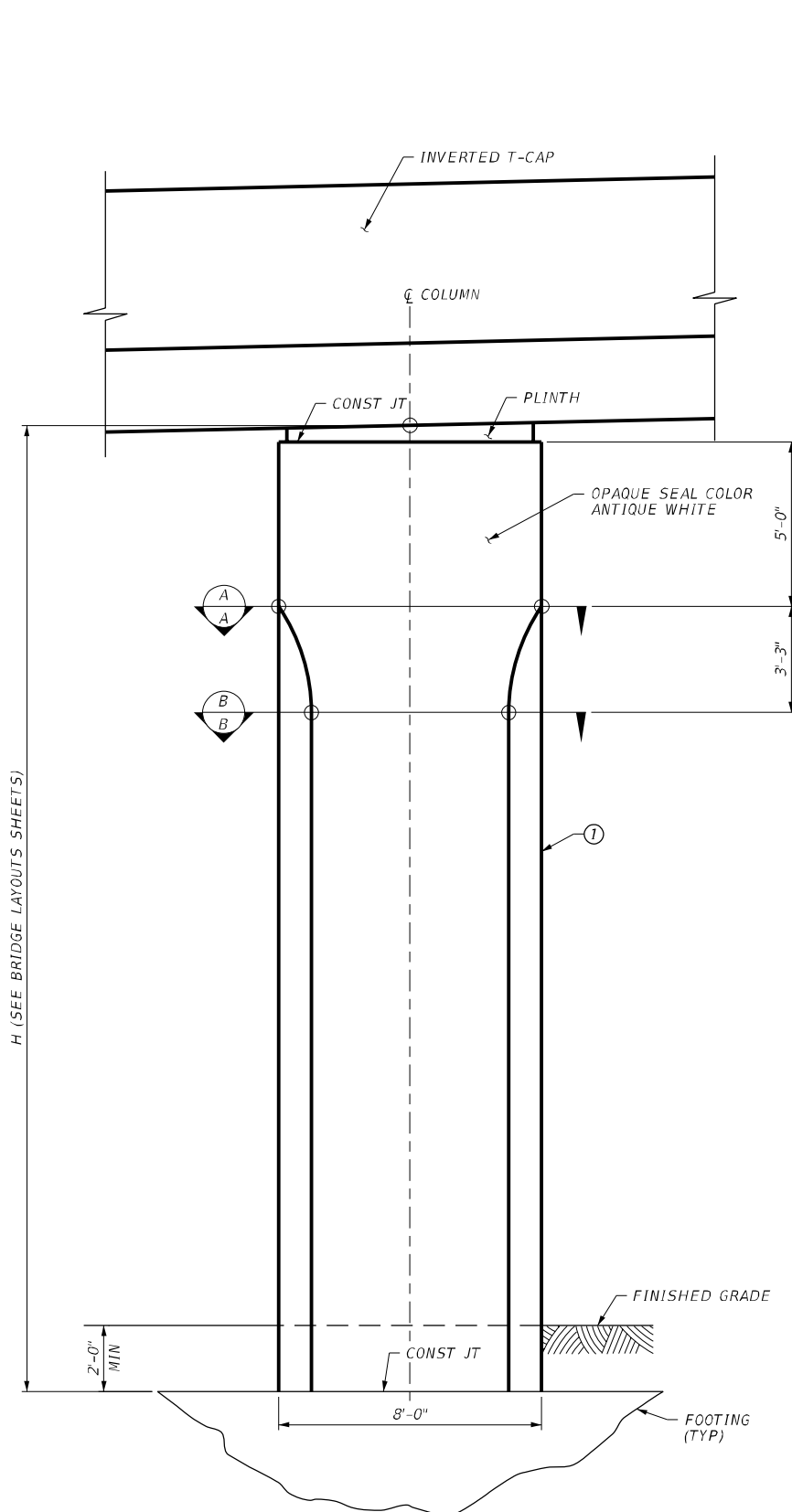


HL93 LOADING
VOLKERT
 F-12679
 Texas Department of Transportation
**IH 10 AT US 69
 FLARED COLUMN
 AESTHETIC DETAILS**

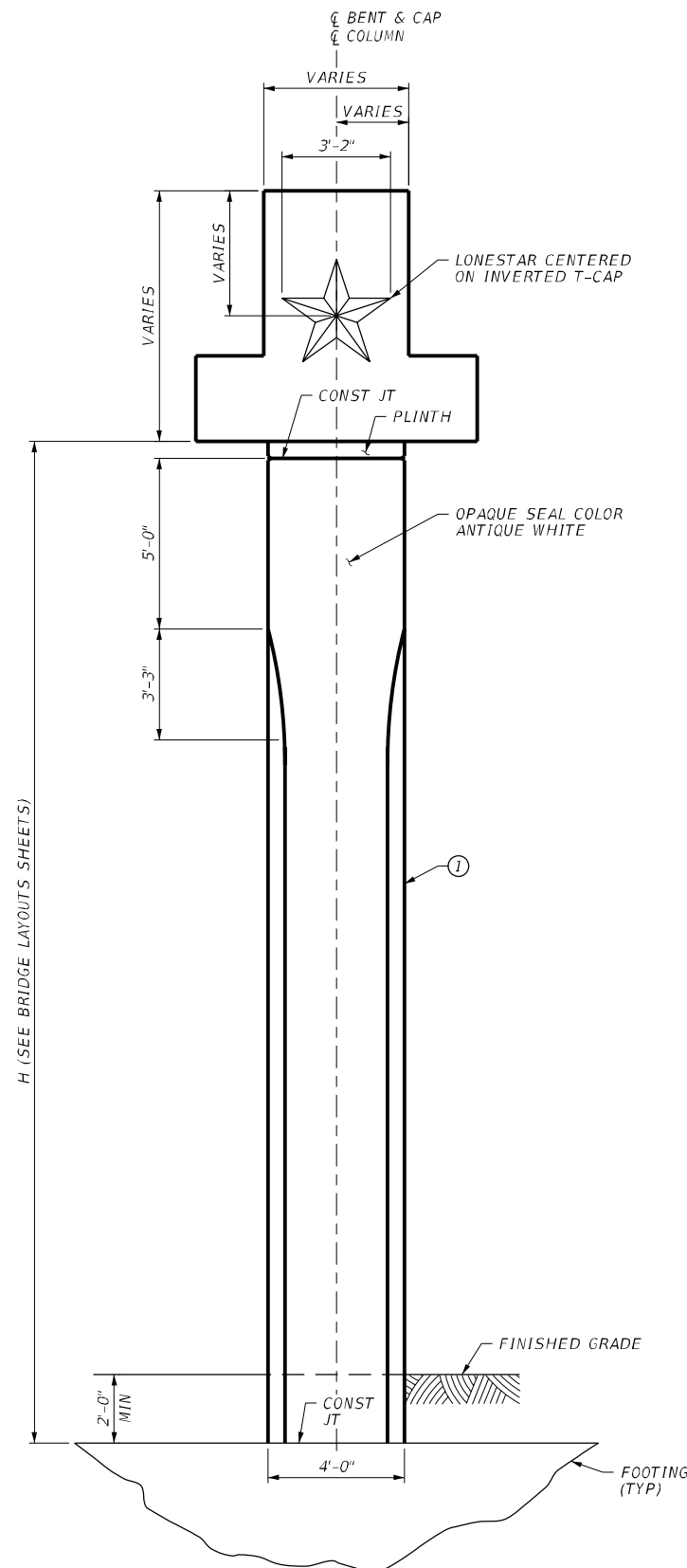
SHEET 1 OF 1

DN: FB	CK: S/JN	DW: KAH	CK: FB
CONT	SECT	JOB	HIGHWAY
0028	13	135	IH 10
DIST	COUNTY	SHEET NO.	
BMT	JEFFERSON	1982	

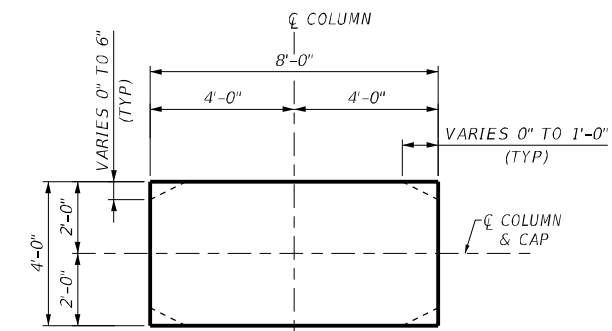
DATE: 20-FEB-2024 23:20
 FILE: Projects\1074500 - BMT 10 69 Interchanges\4C - Design Eastex\4 - Design\Plan Set\7. Bridge\COMMON SHEETS\1983 EASTEX_4X8_NON-FLARED_AESTHETICS



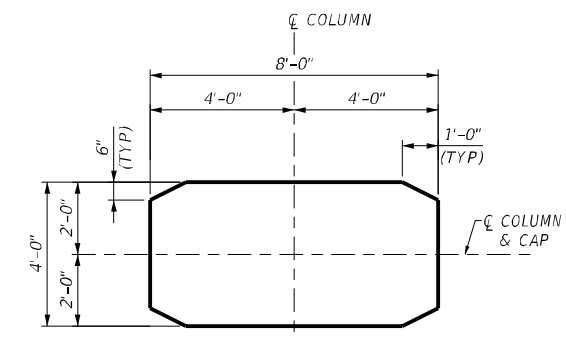
NON-FLARED COLUMN AESTHETICS



RAISED STAR DETAIL



SECTION A-A

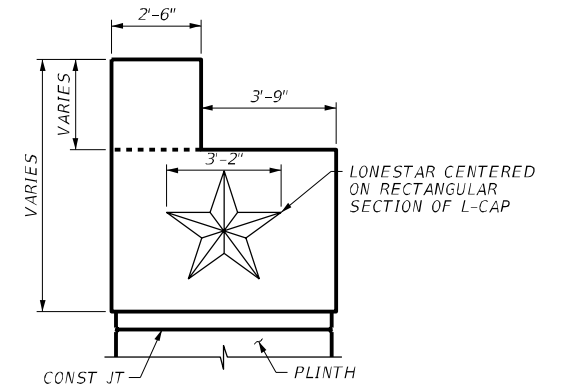
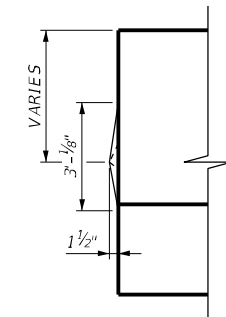


SECTION B-B

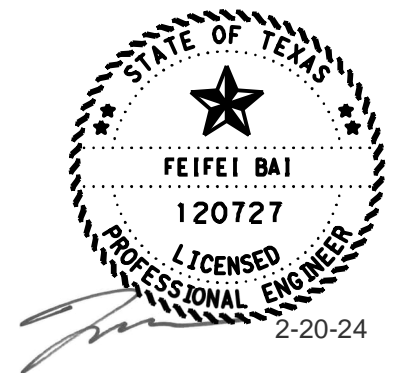
OPAQUE SEALER DESCRIPTION

WATER REPELLENT VERTICAL CONCRETE SEAL PER TXDOT STANDARD SPECIFICATIONS IN ACCORDANCE WITH ITEM 427-SURFACE FINISHES FOR CONCRETE FOR OPAQUE SEALERS. EX SHERWIN WILLIAMS A31 SERIES (OR APPROVED EQUAL).

① 4x8 NON-FLARED COLUMN SHOWN IN THE PLAN, OTHER COLUMN SIZES 5x6, 5x8, 5x10, 5x12 AND 6x10 SHARE SIMILAR AESTHETICS. REFERENCE COLUMN DETAIL SHEETS FOR MORE DIMENSIONS.



L-CAP AT BRIDGE U BENT 8 & 11



HL93 LOADING

VOLKERT

F-12679



**IH 10 AT US 69
 NON-FLARED COLUMN
 AESTHETIC DETAILS**

SHEET 1 OF 1

DN:	FB	CK:	SUN	DW:	KAH	CK:	FB
CONT:		SECT:		JOB:		HIGHWAY:	
	0028		13		135		IH 10
DIST:	COUNTY:		SHEET NO.:				
	BMT		JEFFERSON		1983		