

HL93 LOADING



10/28/2021

REV. NO.	DATE	DESCRIPTION	BY

LJA Engineering, Inc. 
FRN-F-1385

 **Texas Department of Transportation**

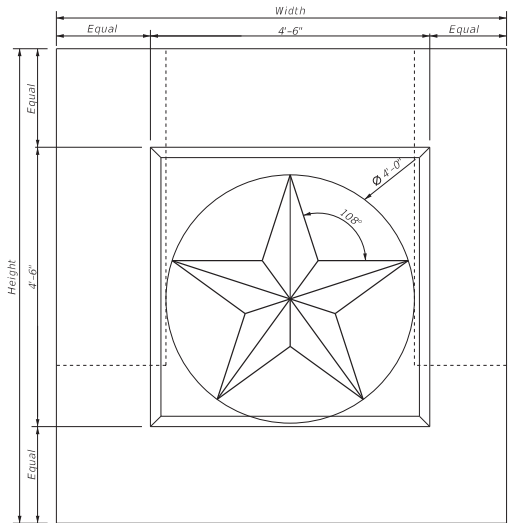
IH 10

Eastex and Cardinal

PROJ. NO.	STATE	PROJECT NO.	HIGHWAY NO.
STATE DISTRICT	COUNTY	CONTRACT NO.	SECTION NO.
		JOB NO.	SHEET NO.

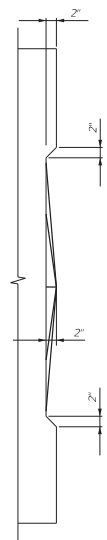
10/28/2021 10:12:12 AM ct:\work\lmgdl\1\ja-pw_bent1ey.com\ja-pw-01\mohamad_karoon\dms\0443\144_000_BS\36.dgn

10:12:17 AM 10/28/2021
 ct:\work\kingd\1\1\1a-pw_bent\ey.com\1a-pw_01\mohamad_karoon\dms\0443\144_000_BSA37.dgn

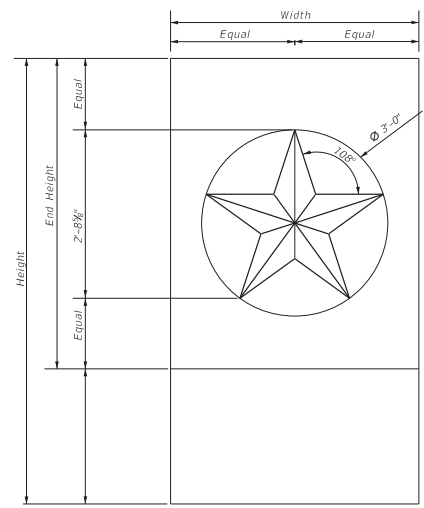


ELEVATION
 $\frac{1}{2}'' = 1'-0''$

TYPE ET-1



SECTION
 $\frac{1}{2}'' = 1'-0''$



ELEVATION
 $\frac{1}{2}'' = 1'-0''$

TYPE ET-2



SECTION
 $\frac{1}{2}'' = 1'-0''$

HL93 LOADING

N. A. Kalos
 10/28/2021

REV. NO.	DATE	DESCRIPTION	BY

LJA Engineering, Inc.

FRN-F-1385

Texas Department of Transportation

IH 10
 Eastex and Cardinal

FSD NO.	STATE	PROJECT NO.	MISSION NO.
STATE DISTRICT	COUNTY	CONTROL NO. SECTION NO.	JOB NO. SHEET NO.