

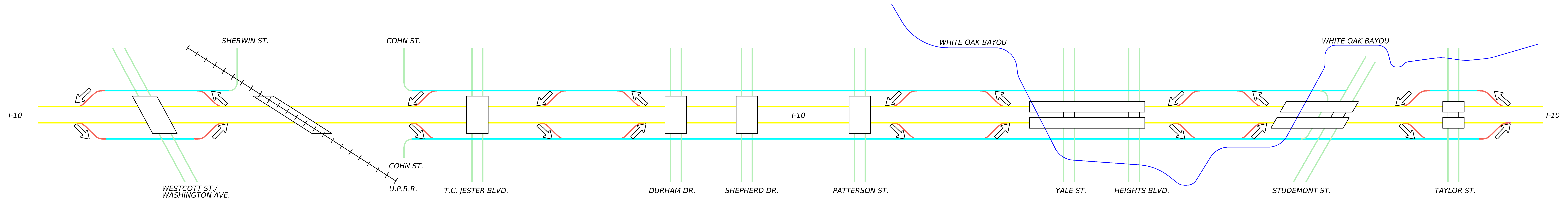
**SYMBOLOLOGY**

GENERAL PURPOSE LANES  
 FRONTAGE ROAD/ACCESS RAMP  
 INTERSECTING STREET  
 RAMP  
 EXISTING LANE DIRECTIONAL INDICATOR  
 PROPOSED LANE DIRECTIONAL INDICATOR

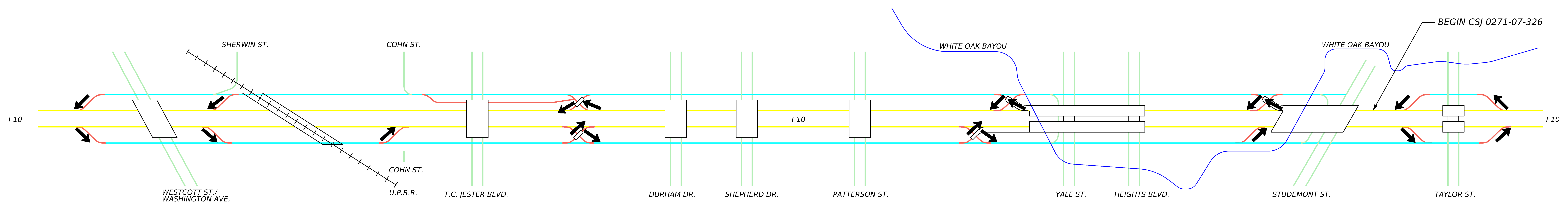
**PLAN LEGEND**

STYLE	LINE WT.	COLOR	CODE
(Yellow line)	2	YELLOW	4
(Blue line)	2	BLUE	7
(Green line)	2	GREEN	10
(Red line)	2	RED	3
(Red line)	3	RED	147

# EXISTING GENERAL PURPOSE RAMPING



# PROPOSED GENERAL PURPOSE RAMPING



**PRELIMINARY  
 SUBJECT TO CHANGE**

HNTB  
 HOUSTON DISTRICT  
 PROJECT DEVELOPMENT  
 SCALE: 1"=200'  
 DATE: 2/2/2024  
 TIME: 10:58:37 AM  
 PRELIMINARY  
 SUBJECT TO CHANGE  
 HNTB  
 HOUSTON DISTRICT  
 PROJECT DEVELOPMENT  
 SCALE: 1"=200'  
 DATE: 2/2/2024  
 TIME: 10:58:37 AM  
 SHEET 1 OF 1

HNTB  
 HOUSTON DISTRICT  
 PROJECT DEVELOPMENT  
 SCALE: 1"=200'  
 DATE: 2/2/2024  
 TIME: 10:58:37 AM  
 PRELIMINARY  
 SUBJECT TO CHANGE  
 HNTB  
 HOUSTON DISTRICT  
 PROJECT DEVELOPMENT  
 SCALE: 1"=200'  
 DATE: 2/2/2024  
 TIME: 10:58:37 AM  
 SHEET 1 OF 1